

SUZUKI

PARTS CATALOGUE

DL650AL2

(VP56A)



E28/E33

2011-9

1ST EDITION

PREFACE

When it becomes necessary to replace parts on SUZUKI MOTORCYCLES, always use SUZUKI GENUINE PARTS which have passed a strict inspection which guarantees quality and performance.

This parts catalogue covers the list of all service parts for SUZUKI DL650AL2.

INSTRUCTIONS FOR QUOTING THE CATALOGUE

1. DIMENSIONS

Dimensions of the parts in this catalogue are indicated in unit millimeters.

2. ABBREVIATIONS

Abbreviations used in this catalogue are as follows:

AR	: As required	NT	: Number of teeth
ASSY	: Assembly	OPT	: Optional
E.NO.	: Engine number	OS	: Over size
F.NO.	: Frame number	STD	: Standard
D	: Diameter of material	T	: Thickness
ID	: Inside diameter	US	: Under size
OD	: Outside diameter	W	: Width
L	: Length	E28	: Canada specification
LH	: Left hand side	E3	: Federal specification
RH	: Right hand side	E33	: California specification

~100045 : Up to F.NO.100045

100046~ : From F.NO.100046

12 x 34 x 5.6..... Figures in the description column
| | | show the dimensions of parts.
ID OD T(or W,L)

3. INNER PARTS OF ASSEMBLY

Part name with a dot (.) in front as shown in the description column indicates the component of the assembly also available individually.

4. MODIFICATION NOTICE

A parts bulletin will be sent to you on all occasions when changes in parts occur, including interchangeable modifications between new parts and old ones.

5. NOTE

5-1. There are some different parts from those of production models among spare parts for the administrative reasons and common use of them with other models.

5-2. In respect of rubber hoses and vinyl tubes, please be sure to use them by cutting off according to the length mentioned on parts catalogue or what is actually required on the vehicle.

5-3. Note that the drawings on the illustration page are for ready reference of spare parts number, not to be used as an assembly manual.
When assembling, use "SUZUKI SERVICE MANUAL".

6. SERIAL FRAME NUMBER

DL650AL2 : JS1VP56A C2100001~

PREFACE

Quand il devient nécessaire de remplacer des pièces sur SUZUKI MOTOCYCLETTES toujours utiliser les PIÈCES D'ORIGINE SUZUKI qui ont été soumises à des contrôles de qualité sévères leur garantissant qualité et performance impeccables.

Ce catalogue de pièces détachées couvre la liste de toutes les pièces de rechange pour SUZUKI DL650AL2.

INSTRUCTIONS POUR UTILISER LE CATALOGUE

1. DIMENSIONS

Les dimensions des pièces dans ce catalogue sont indiquées en unités de millimètres.

2. ABREVIATIONS

Les abréviations utilisées dans ce catalogue sont les suivantes:

AR	: Comme requis	NT	: Nombre de dents
ASSY	: Assemblage	OPT	: Sur option
E.NO.	: Numéro du moteur	OS	: Sur-dimensionné
F.NO.	: Numéro du châssis	T	: Epaisseur
ID	: Diamètre intérieur	US	: Sous-dimensionné
OD	: Diamètre extérieur	W	: Largeur
L	: Longueur	E28	: Spécifications du Canada
LH	: Côté gauche	E3	: Spécifications fédérales des Etats Unis
RH	: Côté droit	E33	: Spécifications de la Californie

~100045 : Jusqu'à F.NO.100045

100046~ : Depuis F.NO.100046

12 x 34 x 5.6..... Les chiffres dans la colonne
| | | remarques montrent les dimensions
ID OD T(or W,L) des pièces comme suit.

3. PIECES INTERNES DE L'ASSEMBLAGE

Les numéros de pièces qui comportent un point (.) avant la désignation de pièce détachée indique la pièce interne se rapportant à l'assemblage.

4. AVIS DE MODIFICATION

Un bulletin de pièces détachées vous sera envoyé à tout moment opportun quand des changements de pièces ont lieu, y compris les modifications de pièces interchangeables entre les nouvelles et anciennes pièces.

5. A NOTER

5-1. Il existe certaines pièces différentes de celles de rechange pour les modèles de production vu des raisons administratives et dont l'usage est commun avec celles d'autres modèles.

5-2. Concernant les durites en caoutchouc et les tuyaux en vinyle, ne pas manquer de les couper à la bonne longueur comme indiqué dans le catalogue des pièces détachées ou selon ce qui est utile pour le véhicule affecté.

5-3. Noter que les dessins à la page d'illustration servent à titre de référence pour les numéros de pièces détachées, et non pas comme référence pour l'assemblage. Pour cette dernière opération, se reporter au "MANUEL D'ENTRETIEN SUZUKI".

6. NUMERO DE SERIE DU CADRE

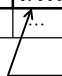
DL650AL2 : JS1VP56A C2100001~

MILLIMETER → INCH CONVERSION CHART
 TABLEAU DE CONVERSION DE MILLIMETRES → POUCES

	0	1	2	3	4	5	6	7	8	9
00	.000	.039	.079	.118	.157	.197	.236	.276	.315	.354
10	.394	.433	.472	.512	.551	.591	.630	.669	.709	.748
20	.787	.827	.866	.906	.945	.984	1.024	1.063	1.102	1.142
30	1.181	1.220	1.260	1.299	1.339	1.378	1.417	1.457	1.496	1.535
40	1.575	1.614	1.654	1.693	1.732	1.772	1.811	1.850	1.890	1.929
50	1.969	2.008	2.047	2.087	2.126	2.165	2.205	2.214	2.283	2.323
60	2.362	2.402	2.441	2.480	2.520	2.559	2.598	2.638	2.677	2.717
70	2.756	2.795	2.835	2.874	2.913	2.953	2.992	3.031	3.071	3.110
80	3.150	3.189	3.228	3.268	3.307	3.346	3.386	3.425	3.465	3.504
90	3.543	3.583	3.622	3.661	3.701	3.740	3.780	3.819	3.858	3.898

How to read
 Mode de lecture

	0	1	2	3	4
00
10
20	0.906	...
30


 23 millimeters equal 0.906 in
 23 millimètres égalent 0.906 pouce

Contents are subject to change without notice or obligation.

Les matières traitées sont susceptibles d'être modifiées sans préavis obligation de notre part.

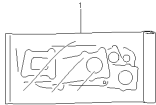
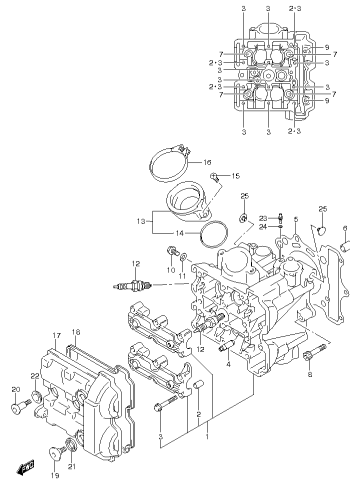
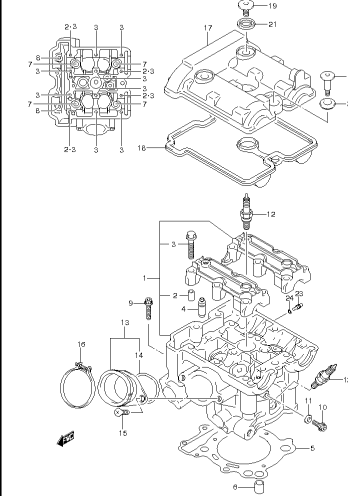
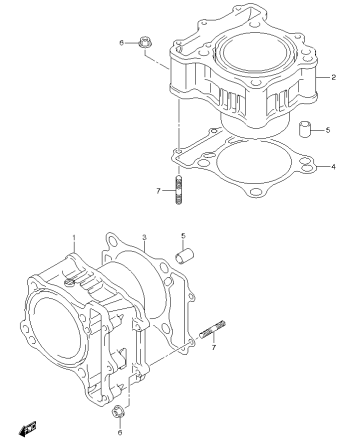
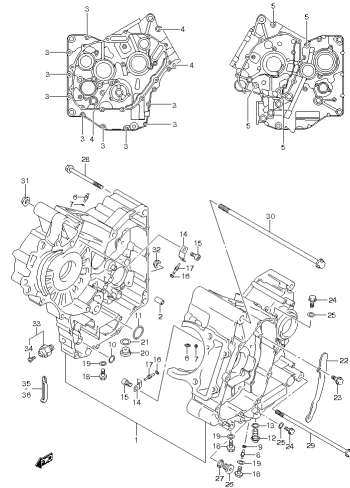
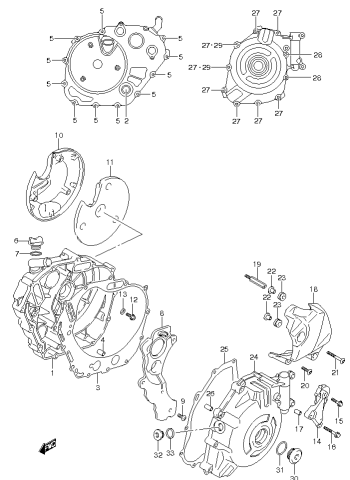
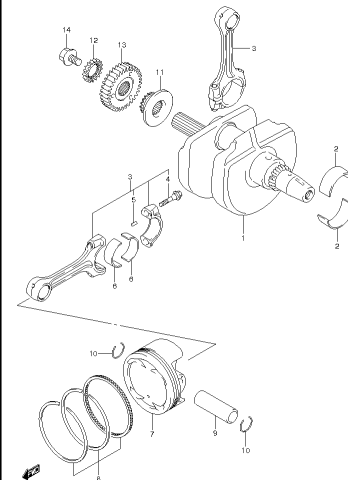
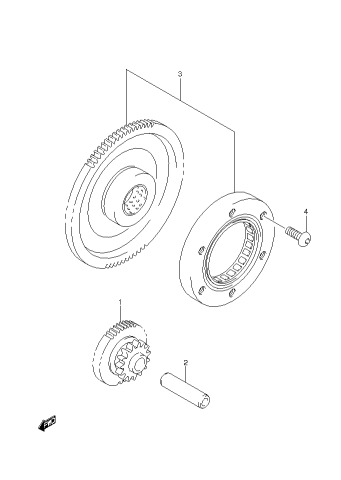
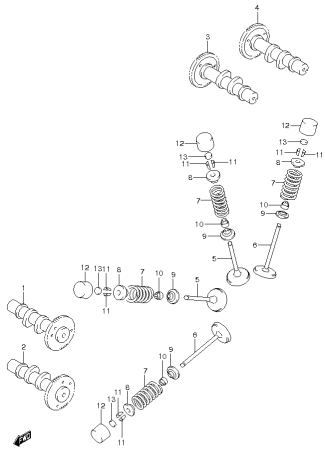
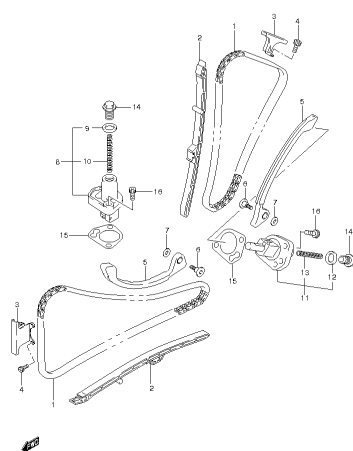
FIG.1DL650AL2 E80 E83_001
GASKET SET**FIG.2**DL650AL2 E80 E83_002
FRONT CYLINDER HEAD**FIG.3**DL650AL2 E80 E83_003
REAR CYLINDER HEAD**FIG.4**DL650AL2 E80 E83_004
CYLINDER**FIG.5**DL650AL2 E80 E83_005
CRANKCASE**FIG.6**DL650AL2 E80 E83_006
CRANKCASE COVER**FIG.7**DL650AL2 E80 E83_007
CRANKSHAFT**FIG.8**DL650AL2 E80 E83_008
STARTER CLUTCH

FIG.9



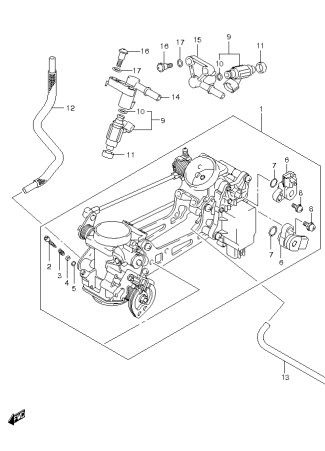
DL650AL2 E80 E83_009
CAMSHAFT VALVE

FIG.10



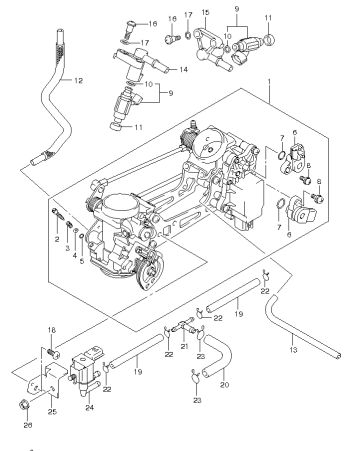
DL650AL2 E80 E83_010
CAM CHAIN

FIG.11



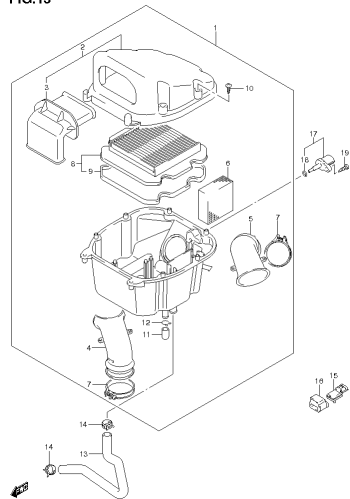
DL650AL2 E80 E83_011
THROTTLE BODY

FIG.12



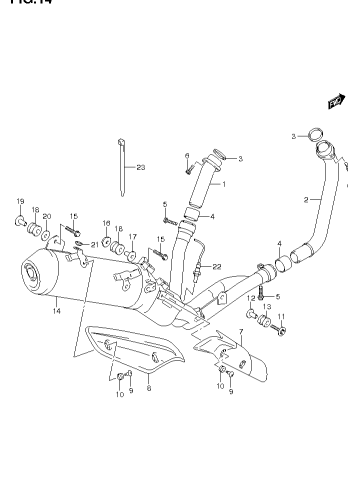
DL650AL2 E80 E83_012
THROTTLE BODY

FIG.13



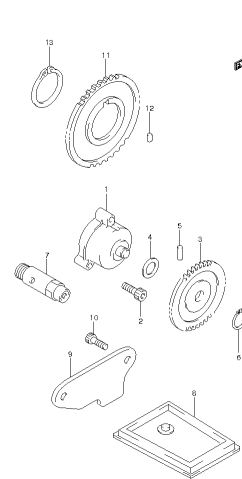
DL650AL2 E80 E83_013
AIR CLEANER

FIG.14



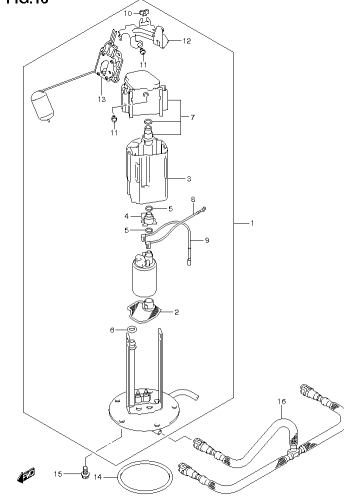
DL650AL2 E80 E83_014
MUFFLER

FIG.15



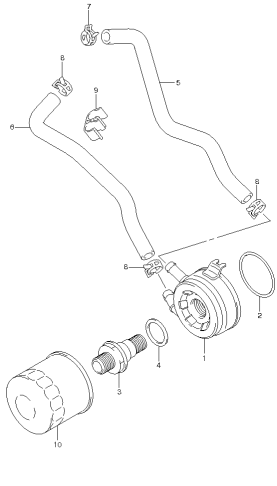
DL650AL2 E80 E83_015
OIL PUMP

FIG.16



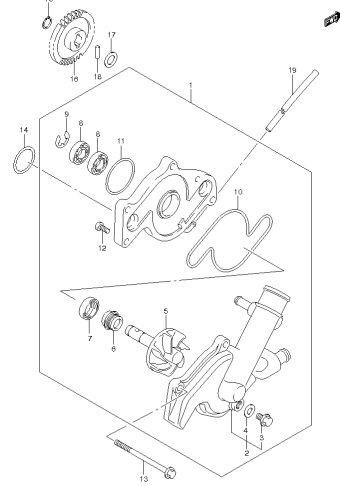
DL650AL2 E80 E83_016
FUEL PUMP

FIG.17



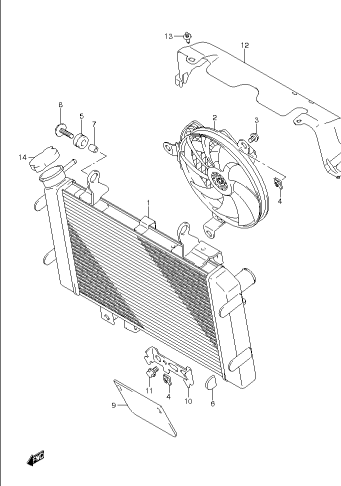
DL650AL2 E26 E33_017
OIL COOLER

FIG.18



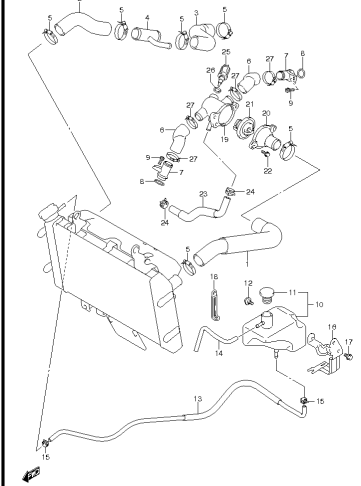
DL650AL2 E26 E33_016
WATER PUMP

FIG.19



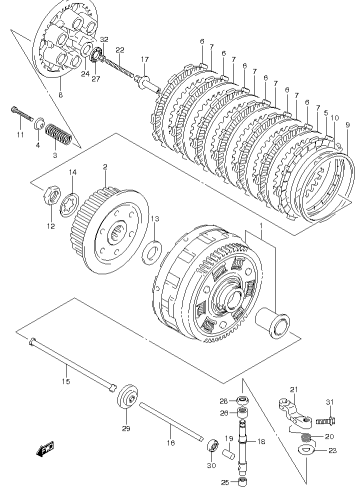
DL650AL2 E26 E33_019
RADIATOR

FIG.20



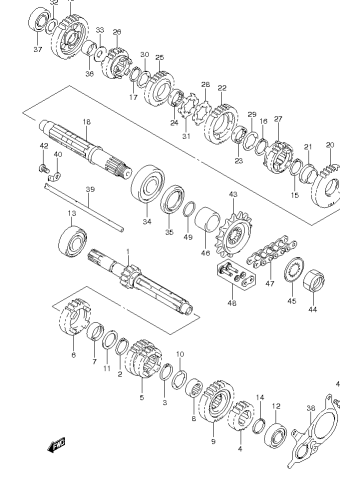
DL650AL2 E26 E33_020
RADIATOR HOSE

FIG.21



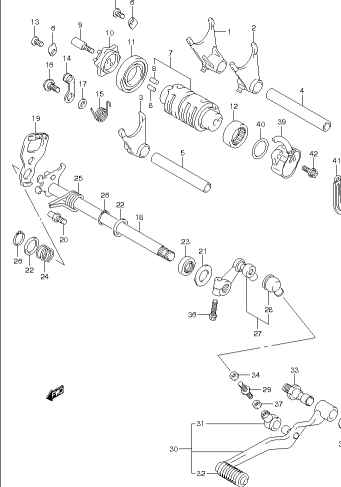
DL650AL2 E26 E33_021
CLUTCH

FIG.22



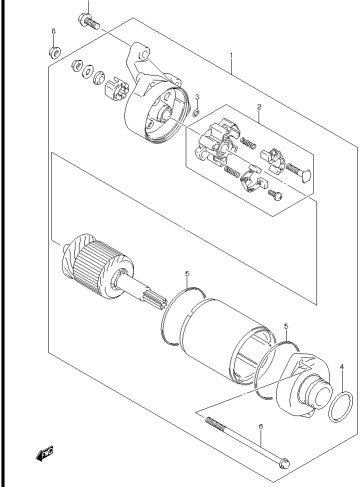
DL650AL2 E26 E33_022
TRANSMISSION

FIG.23



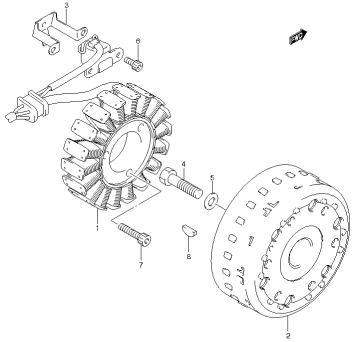
DL650AL2 E26 E33_023
GEAR SHIFTING

FIG.24



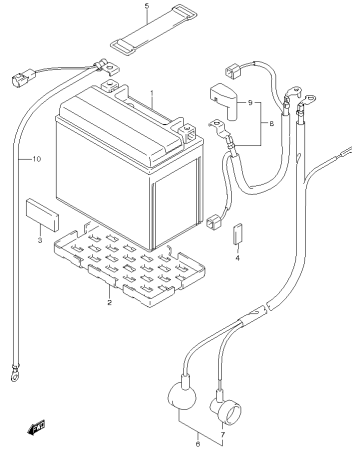
DL650AL2 E26 E33_024
STARTING MOTOR

FIG.25



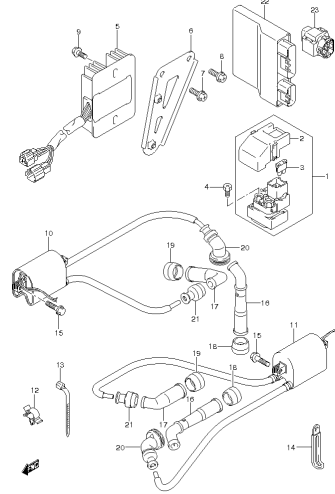
DL650AL2 E80 E33_026
MAGNETO

FIG.26



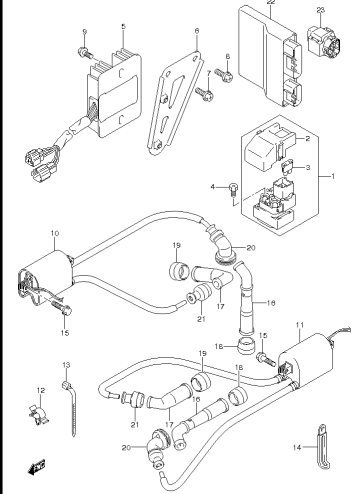
DL650AL2 E80 E33_026
BATTERY

FIG.27



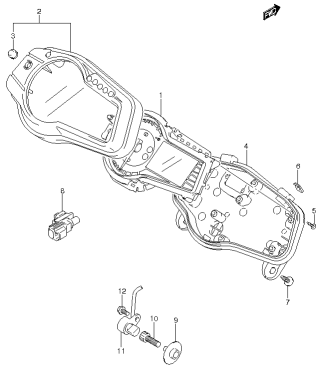
DL650AL2 E80 E33_027
ELECTRICAL

FIG.28



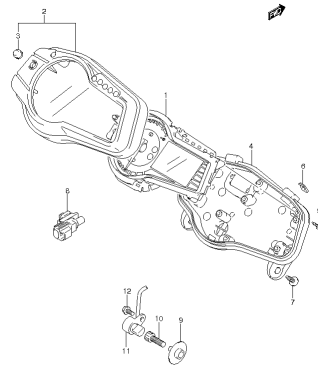
DL650AL2 E80 E33_026
ELECTRICAL

FIG.29



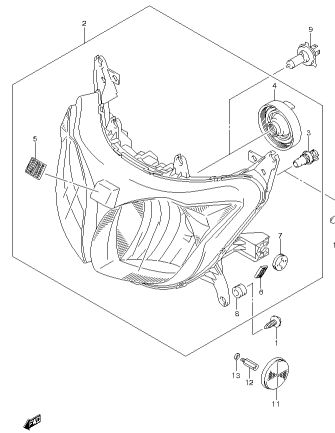
DL650AL2 E80 E33_029
SPEEDOMETER

FIG.30



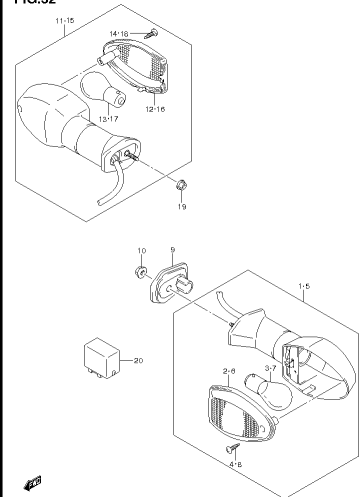
DL650AL2 E80 E33_030
SPEEDOMETER

FIG.31



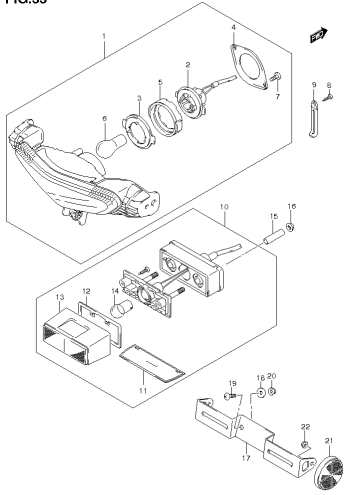
DL650AL2 E80 E33_031
HEADLAMP

FIG.32



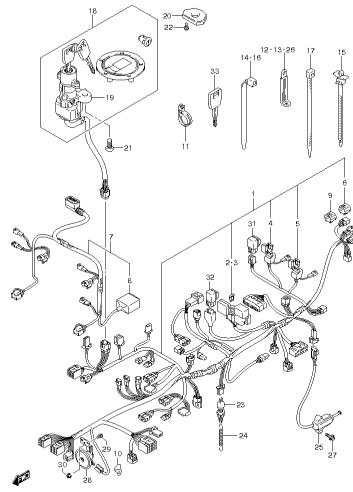
DL650AL2 E80 E33_032
TURN SIGNAL LAMP

FIG.33



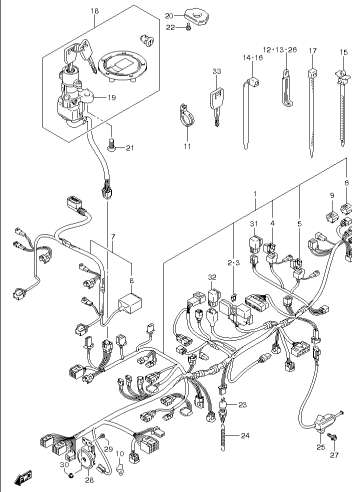
DL650AL2 E20 E33_033
REAR COMBINATION LAMP

FIG.34



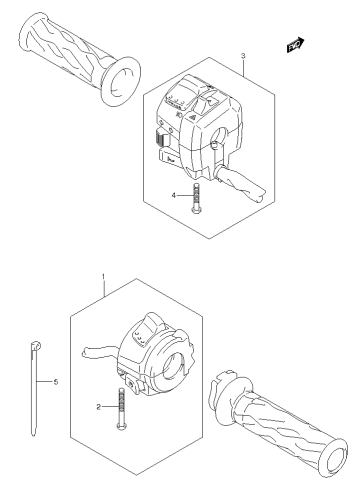
DL650AL2 E20 E33_034
WIRING HARNESS

FIG.35



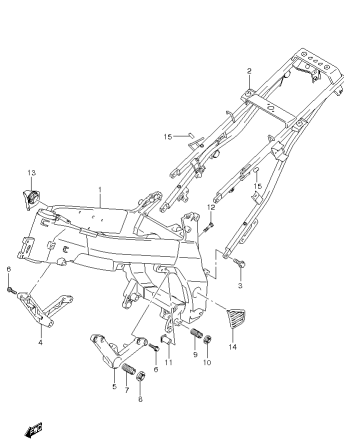
DL650AL2 E20 E33_035
WIRING HARNESS

FIG.36



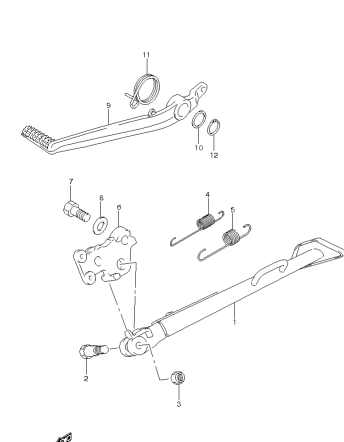
DL650AL2 E20 E33_036
HANDLE SWITCH

FIG.37



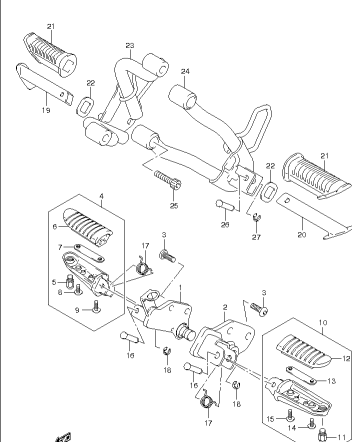
DL650AL2 E20 E33_037
FRAME

FIG.38



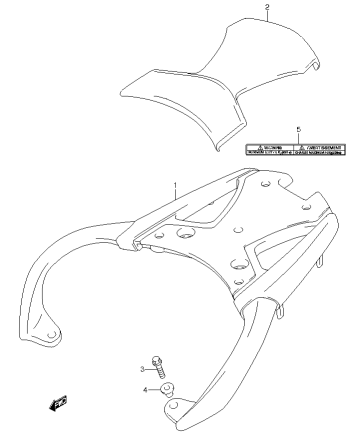
DL650AL2 E20 E33_038
STAND

FIG.39



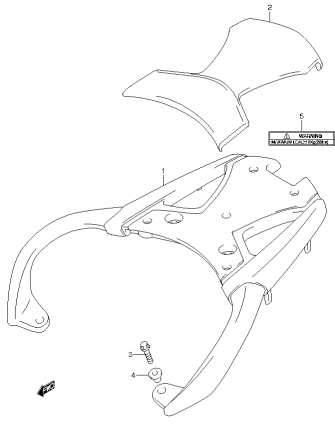
DL650AL2 E20 E33_039
FOOTREST

FIG.40



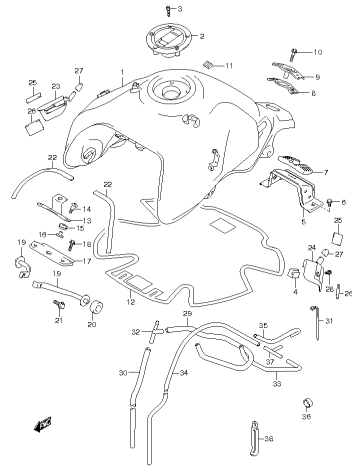
DL650AL2 E20 E33_040
CARRIER

FIG.41



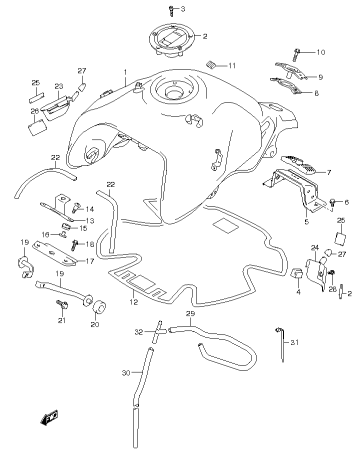
DL650AL2 E80 E33_041
CARRIER

FIG.42



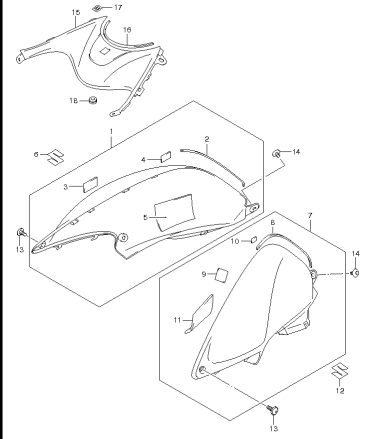
DL650AL2 E80 E33_042
FUEL TANK

FIG.43



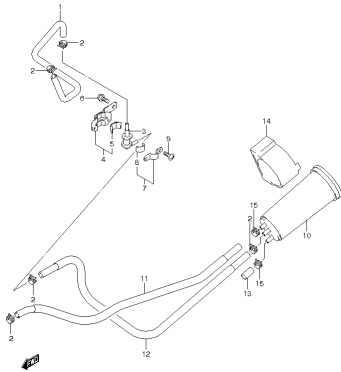
DL650AL2 E80 E33_043
FUEL TANK

FIG.44



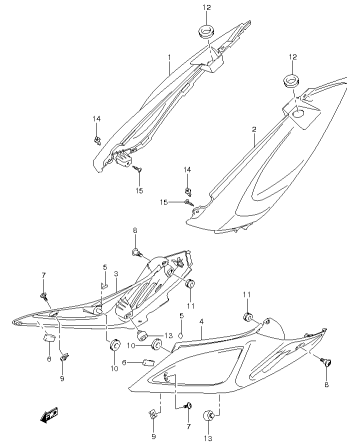
DL650AL2 E80 E33_044
FUEL TANK COVER

FIG.45



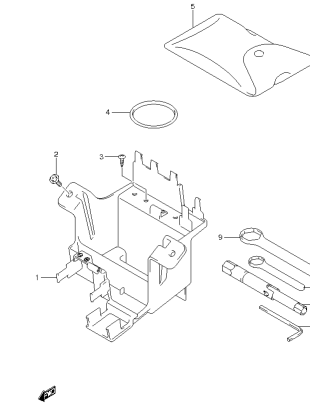
DL650AL2 E80 E33_045
EVAP SYSTEM

FIG.46



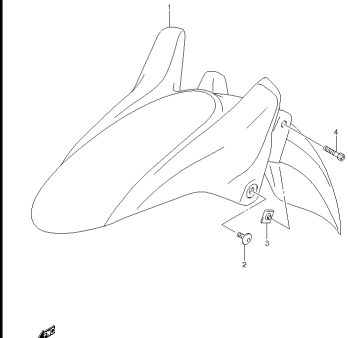
DL650AL2 E80 E33_046
FRAME COVER

FIG.47



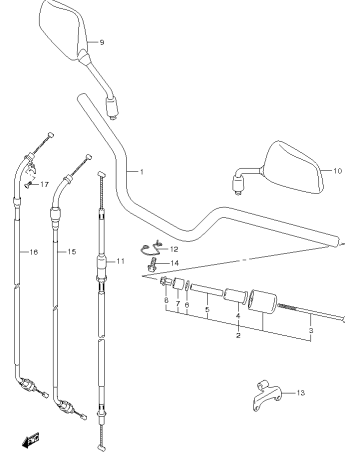
DL650AL2 E80 E33_047
BATTERY HOLDER

FIG.48



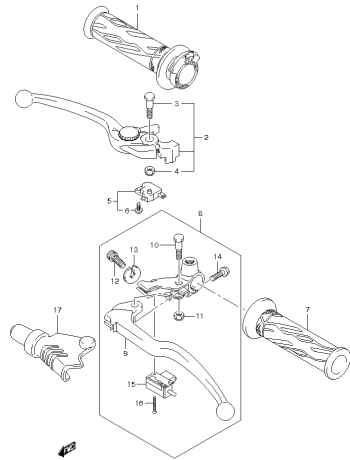
DL650AL2 E80 E33_048
FRONT FENDER

FIG.49



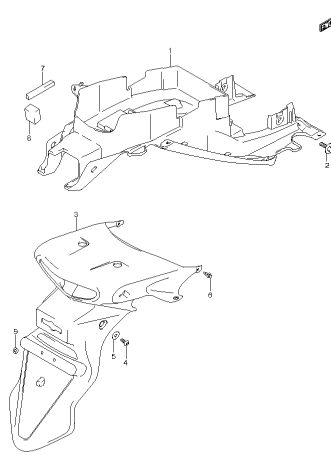
DL650AL2 E20 E33_049
HANDLEBAR

FIG.50



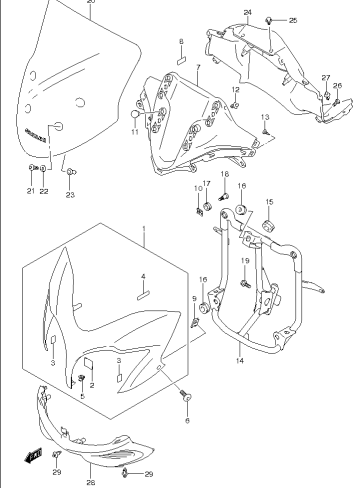
DL650AL2 E20 E33_050
HANDLE LEVER

FIG.51



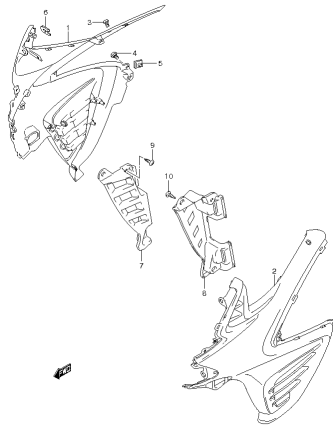
DL650AL2 E20 E33_051
REAR FENDER

FIG.52



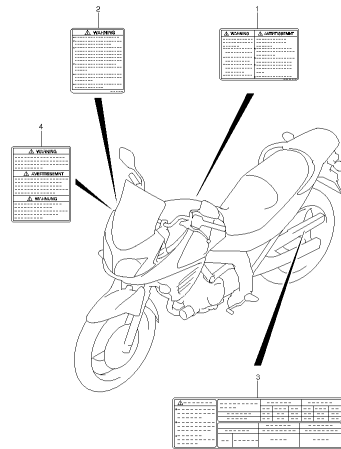
DL650AL2 E20 E33_052
COWLING BODY

FIG.53



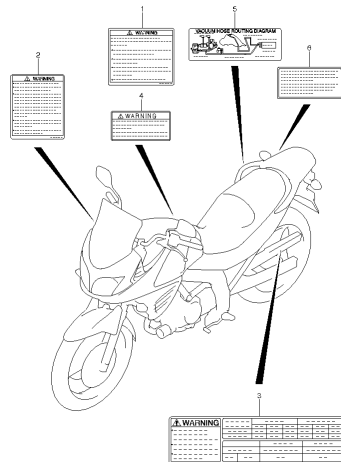
DL650AL2 E20 E33_053
SIDE COWLING

FIG.54



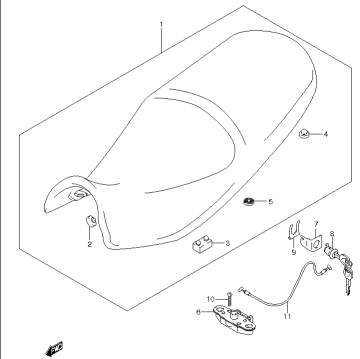
DL650AL2 E20 E33_054
LABEL

FIG.55



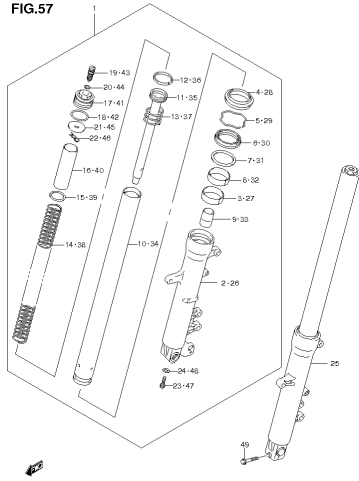
DL650AL2 E20 E33_055
LABEL

FIG.56



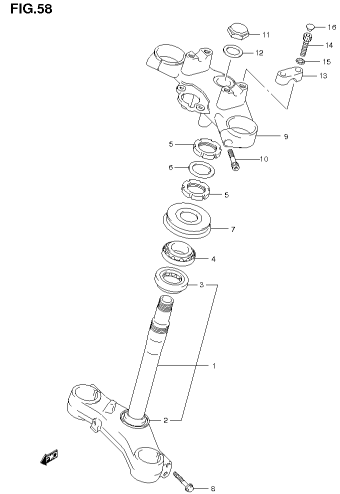
DL650AL2 E20 E33_056
SEAT

FIG.57



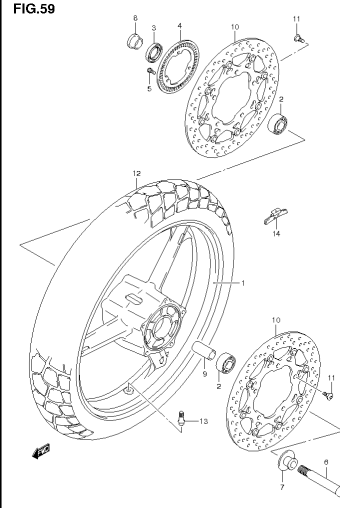
DL650AL2 E80 E83_067
FRONT DAMPER

FIG.58



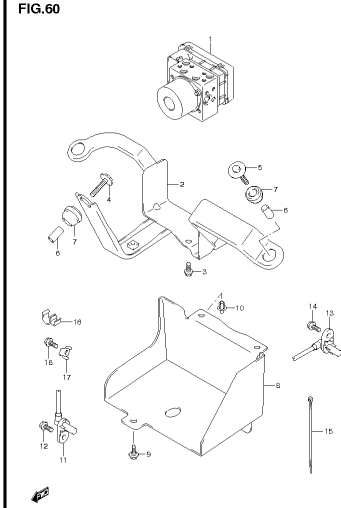
DL650AL2 E80 E83_056
STEERING STEM

FIG.59



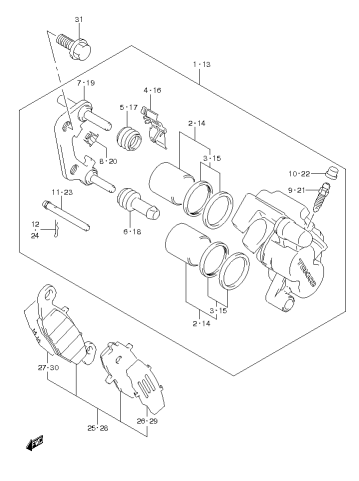
DL650AL2 E80 E83_059
FRONT WHEEL

FIG.60



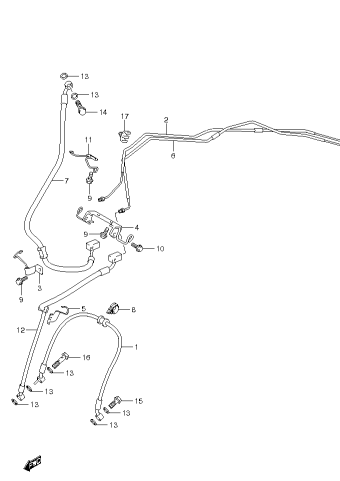
DL650AL2 E80 E83_060
HYDRAULIC UNIT

FIG.61



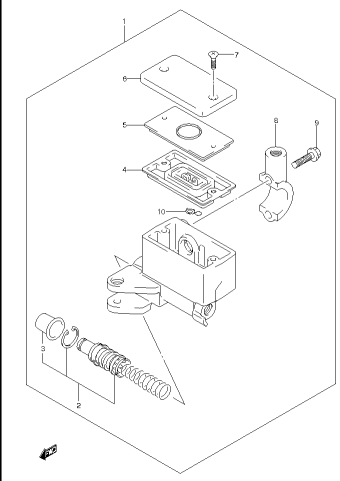
DL650AL2 E80 E83_091
FRONT CALIPER

FIG.62



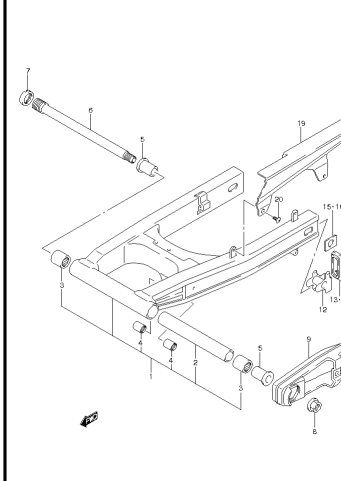
DL650AL2 E80 E83_092
FRONT BRAKE HOSE

FIG.63



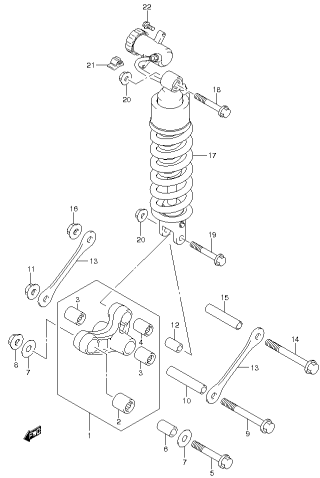
DL650AL2 E80 E83_093
FRONT MASTER CYLINDER

FIG.64



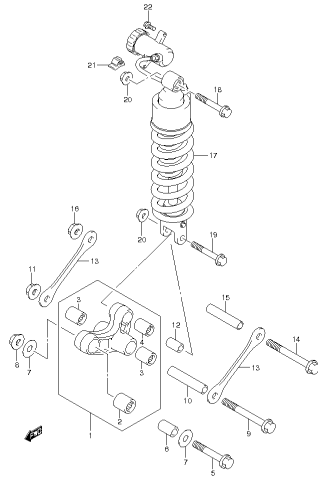
DL650AL2 E80 E83_094
REAR SWINGING ARM

FIG.65



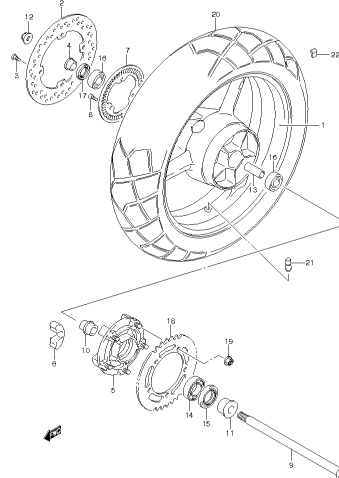
DL650AL2 E80 E83_065
REAR CUSHION LEVER

FIG.66



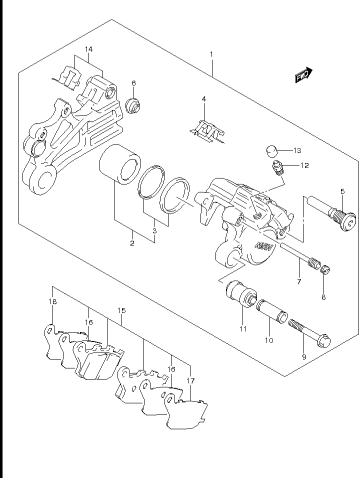
DL650AL2 E80 E83_066
REAR CUSHION LEVER

FIG.67



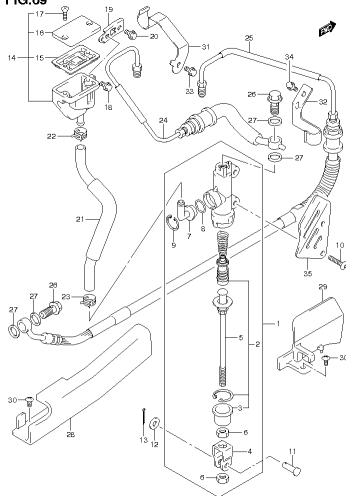
DL650AL2 E80 E83_067
REAR WHEEL

FIG.68



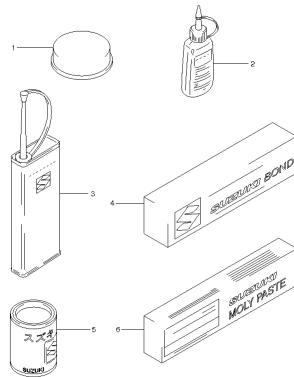
DL650AL2 E80 E83_068
REAR CALIPER

FIG.69



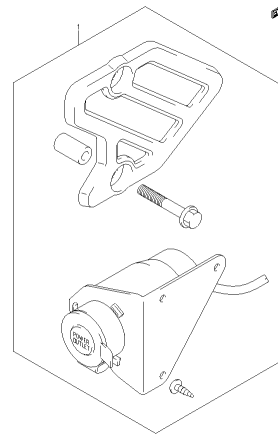
DL650AL2 E80 E83_069
REAR MASTER CYLINDER

FIG.70



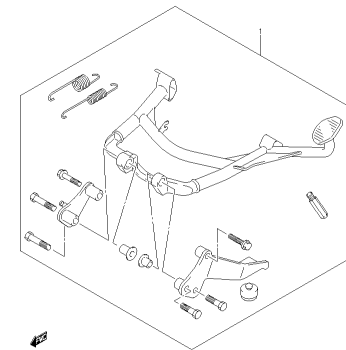
DL650AL2 E80 E83_070
OPTIONAL

FIG.71



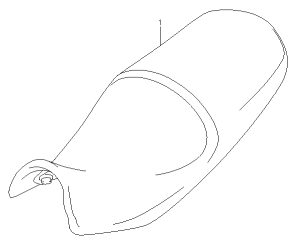
DL650AL2 E80 E83_071
POWER SOURCE TERMINAL SET (OPTIONAL)

FIG.72



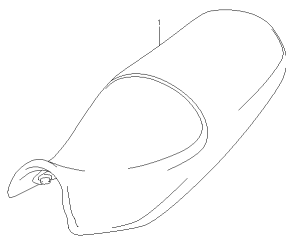
DL650AL2 E80 E83_072
CENTER STAND SET (OPTIONAL)

FIG.73



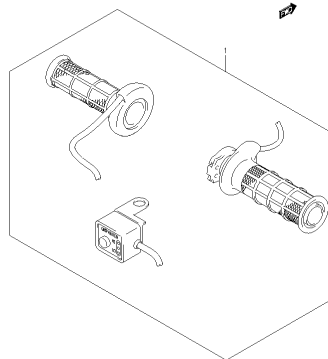
DL650AL2 E80 E83_075
LOW SEAT (OPTIONAL)

FIG.74



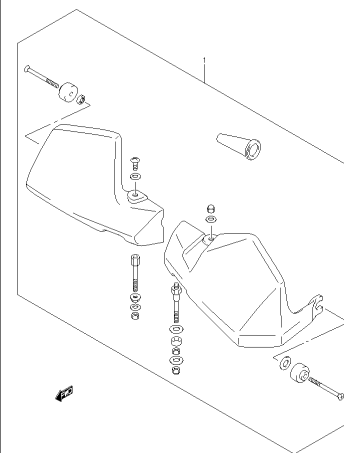
DL650AL2 E80 E83_074
HIGH SEAT (OPTIONAL)

FIG.75



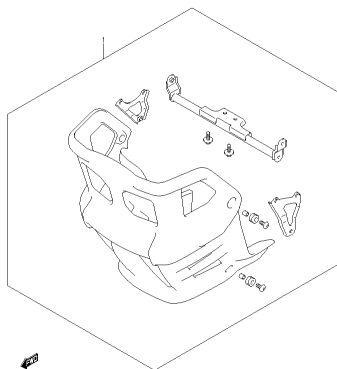
DL650AL2 E80 E83_076
GRIP HEATER SET (OPTIONAL)

FIG.76



DL650AL2 E80 E83_076
KNUCKLE COVER SET (OPTIONAL)

FIG.77



DL650AL2 E80 E83_077
UNDER COWLING SET (OPTIONAL)

FIG.1

FIG.1 (1-B-2) GASKET SET

REF. NO.	PART NO.	DESCRIPTION	Q' TY	REMARKS
1	11403-44810	GASKET SET	1	OPT
2	11141-20F00	·GASKET, CYLINDER HEAD	2	NOT ILLUSTRATED
3	11173-19F01	·GASKET, CYL HEAD COVER	2	NOT ILLUSTRATED
4	11241-19F10	·GASKET, CYLINDER FRONT	1	NOT ILLUSTRATED
5	11242-19F00	·GASKET, CYLINDER GEAR	1	NOT ILLUSTRATED
6	11482-44H00	·GASKET, CLUTCH COVER INNER	1	NOT ILLUSTRATED
7	11483-19F00	·GASKET, MAGNETO COVER	1	NOT ILLUSTRATED
8	12837-27G00	·GASKET, TNSN ADJUSTER	2	NOT ILLUSTRATED
9	14181-22D01	·GASKET, EXHAUST PIPE	2	NOT ILLUSTRATED
10	11191-27E00	·WASHER	4	NOT ILLUSTRATED

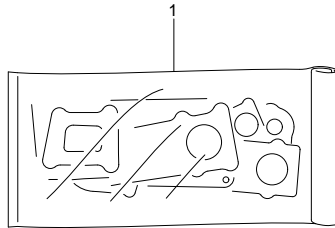


FIG.2

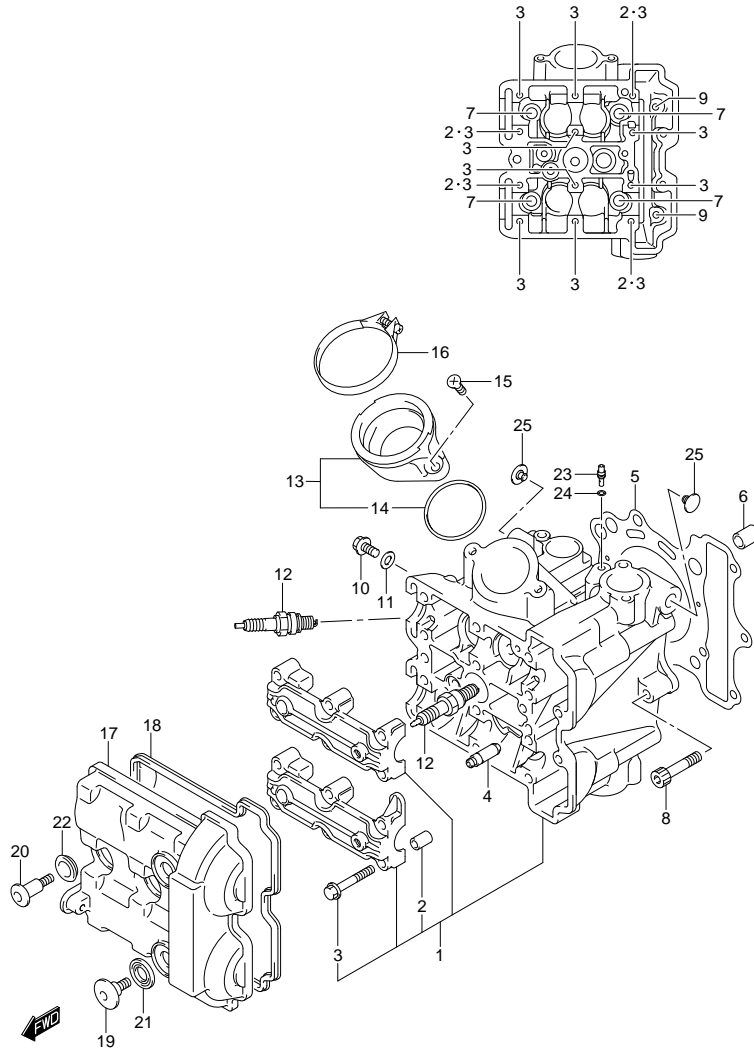


FIG.2 (1-B-3) FRONT CYLINDER HEAD

REF. NO.	PART NO.	DESCRIPTION	Q'TY	REMARKS
1	11101-44H00	HEAD ASSY, CYLINDER FRONT	1	
2	09206-08001	·PIN (6.2X8X11)	4	
3	09103-06266	·BOLT (6X40)	12	
4	11115-18D72	GUIDE, VALVE (OS:0.3)	1	OPT
5	11141-20F00	GASKET, CYLINDER HEAD	1	
6	04211-13189	PIN	2	
7	11117-44H00	BOLT (10X160)	4	
8	07120-0640B	BOLT	1	
9	09103-06103	BOLT (6X70)	2	
10	09103-06222	BOLT (6X12)	1	
11	09168-06023	GASKET (5.8X13X1.2)	1	
12-1	09482-00556	SPARK PLUG, CR8EIA-9 (NGK)	2	
12-2	09482-00555	SPARK PLUG, IU24D (DENSO)	2	
12-3	09482-00558	SPARK PLUG, CR9EIA-9 (NGK)	2	OPT
12-4	09482-00557	SPARK PLUG, IU27D (DENSO)	2	OPT
12-5	09482-00554	SPARK PLUG, CR7EIA-9 (NGK)	2	OPT
13	13101-17G10	PIPE ASSY, INTAKE FRONT	1	
14	09280-46006	·O RING (D:2.4,ID:47X42)	1	
15	02122-0616B	SCREW	2	
16	13827-40H00	CLAMP	1	
17	11171-19F20	COVER, CYLINDER HEAD FRONT	1	
18	11173-19F01	GASKET, CYLINDER HEAD COVER	1	
19	09106-07009	BOLT (7X17.5)	2	
20	09106-07010	BOLT (7X31)	1	
21	11191-27E00	WASHER	2	
22	11192-13E00	CUSHION, HEAD COVER BOLT	1	
23	09493-80005	JET	1	
24	09280-04004	O RING (D:1.2,ID:4)	1	
25	11151-27G00	CAP	2	

FIG.3

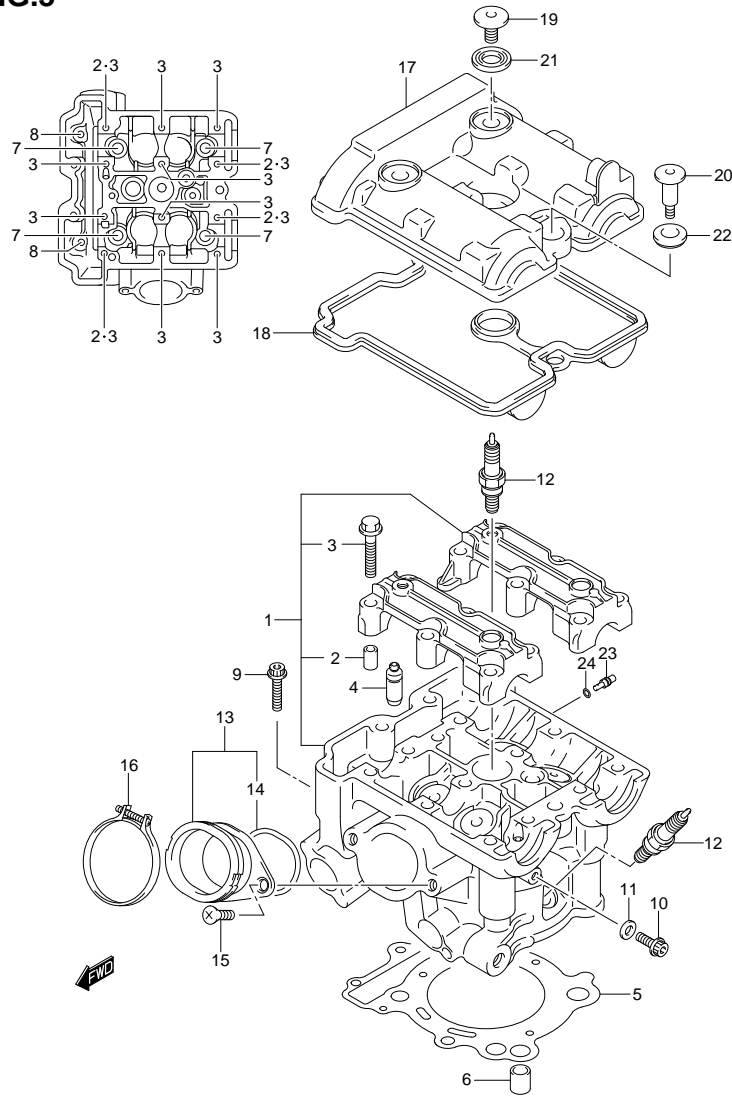


FIG.3 (1-B-4) REAR CYLINDER HEAD

REF. NO.	PART NO.	DESCRIPTION	Q'TY	REMARKS
1	11103-44H10	HEAD ASSY, CYLINDER REAR	1	
2	09206-08001	·PIN (6.2X8X11)	4	
3	09103-06266	·BOLT (6X40)	12	
4	11115-18D72	GUIDE, VALVE	1	OPT
5	11141-20F00	GASKET, CYLINDER HEAD	1	
6	04211-13189	PIN	2	
7	11117-44H00	BOLT (10X160)	4	
8	09103-06103	BOLT (6X70)	2	
9	07120-0640B	BOLT	1	
10	09103-06222	BOLT (6X12)	1	
11	09168-06023	GASKET (5.8X13X1.2)	1	
12-1	09482-00556	SPARK PLUG, CR8EIA-9 (NGK)	2	
12-2	09482-00555	SPARK PLUG, IU24D (DENSO)	2	
12-3	09482-00558	SPARK PLUG, CR9EIA-9 (NGK)	2	OPT
12-4	09482-00557	SPARK PLUG, IU27D (DENSO)	2	OPT
12-5	09482-00554	SPARK PLUG, CR7EIA-9 (NGK)	2	OPT
13	13102-17G10	PIPE ASSY, INTAKE REAR	1	
14	09280-46006	·O RING (D:2.4,ID:47X42)	1	
15	02122-0616B	SCREW	2	
16	13827-40H00	CLAMP	1	
17	11172-19F20	COVER, CYLINDER HEAD REAR	1	
18	11173-19F01	GASKET, CYLINDER HEAD COVER	1	
19	09106-07009	BOLT (7X17.5)	2	
20	09106-07010	BOLT (7X31)	1	
21	11191-27E00	WASHER	2	
22	11192-13E00	CUSHION, HEAD COVER BOLT	1	
23	09493-80005	JET	1	
24	09280-04004	O RING (D:1.2,ID:4)	1	

FIG.4

FIG. 4 (1-B-5) CYLINDER

REF NO.	PART NO.	DESCRIPTION	Q' TY	REMARKS
1	11211-44H00-0F0	CYLINDER, FRONT	1	
2	11221-44H00-0F0	CYLINDER, REAR	1	
3	11241-19F10	GASKET, CYLINDER FRONT	1	
4	11242-19F00	GASKET, CYLINDER REAR	1	
5	04211-13189	PIN	4	
6	08316-1006B	NUT	4	
7	01421-0625B	STUD BOLT	4	

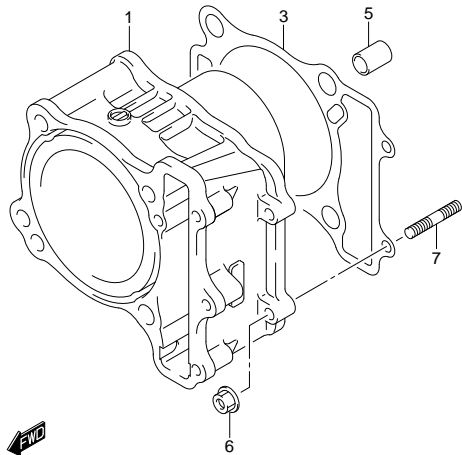
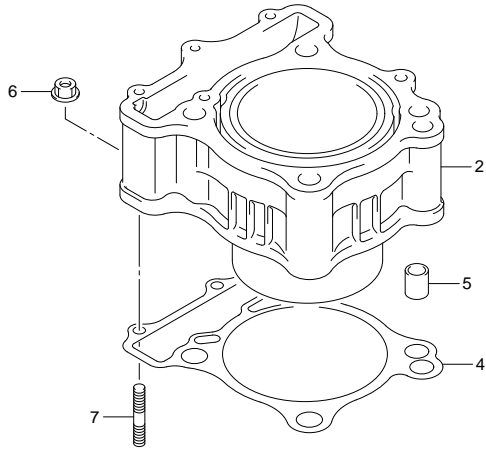


FIG.5

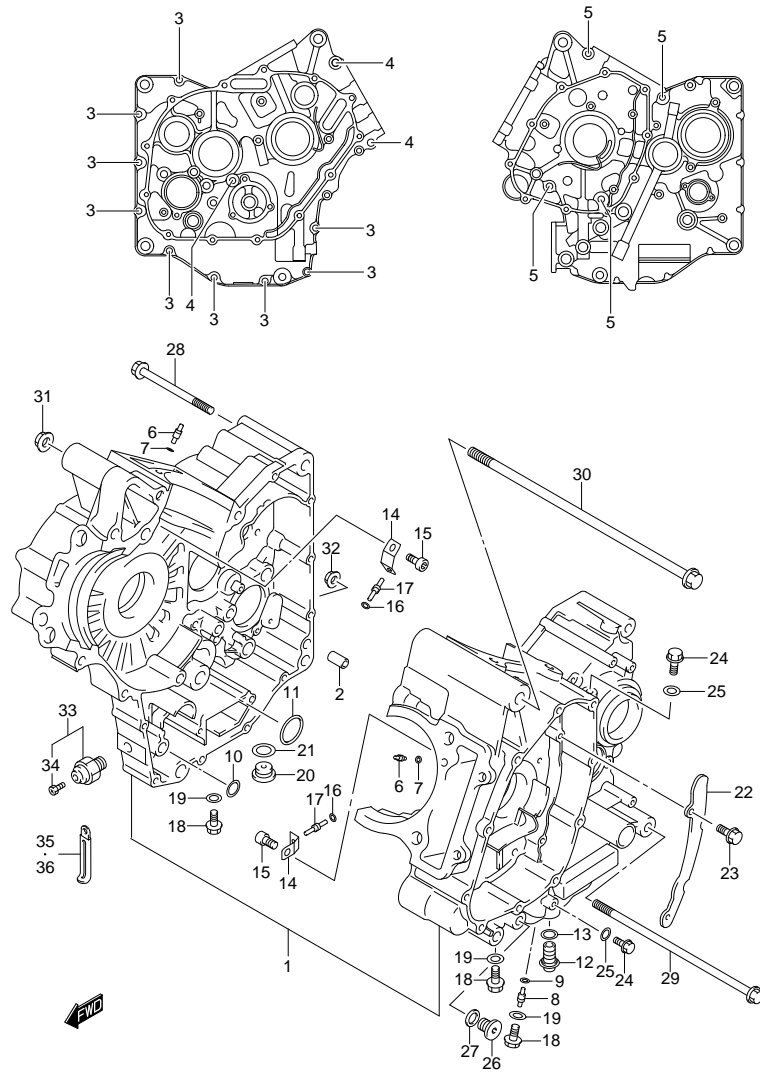


FIG. 5 (1-B-6) CRANKCASE

REF NO.	PART NO.	DESCRIPTION	Q' TY	REMARKS
1	11301-27850	CRANKCASE SET	1	
2	09206-11007	·PIN (11X20)	2	
3	01547-0650A	·BOLT	9	
4	07120-0855A	·BOLT	3	
5	07120-0880A	·BOLT	4	
6	09493-28010	JET	2	
7	09280-04004	O RING (D:1.2,ID:4)	2	
8	09493-36004	JET	1	
9	09280-04004	O RING (D:1.2,ID:4)	1	
10	09280-12009	O RING (D:1.9,ID:12.6)	1	
11	09280-15007	O RING (D:2.4,ID:15.8)	1	
12	09247-12011	PLUG	1	
13	09168-12002	GASKET (12.1X16.2X3.7)	1	
14	16438-19F00	PLATE, PISTON COOLING JET	2	
15	09106-06075	BOLT (6X12)	2	
16	09280-04004	O RING (D:1.2,ID:4)	2	
17	09493-26007	JET	2	
18	01550-0812A	BOLT	3	
19	09168-08016	GASKET (8.2X14X1)	3	
20	09248-16012	PLUG	1	
21	09168-16002	GASKET (16X22X2)	1	
22	11323-19F00	PLATE, OIL SEPARATOR	1	
23	01547-0612A	BOLT	2	
24	01547-0610A	BOLT	2	
25	09168-06023	GASKET (5.8X13X1.2)	2	
26	09247-12006	PLUG	1	
27	09168-12017	GASKET (12X17X1)	1	

FIG.5

FIG.5 (1-B-7) CRANKCASE

REF NO.	PART NO.	DESCRIPTION	QTY	REMARKS
28	09103-10205	BOLT (10X225)	1	
29	09103-10347	BOLT (10X275)	1	
30	09103-12054	BOLT (12X310)	1	
31	09159-12054	NUT	1	
32	08319-3110A	NUT	1	
33	37820-33D10	SWITCH ASSY, OIL PRESSURE	1	
34	37822-33D00	BOLT, OIL PRESSURE SWITCH	1	
35	09404-06429	CLAMP (L:45)	1	
36	09404-06433	CLAMP (L:80)	1	

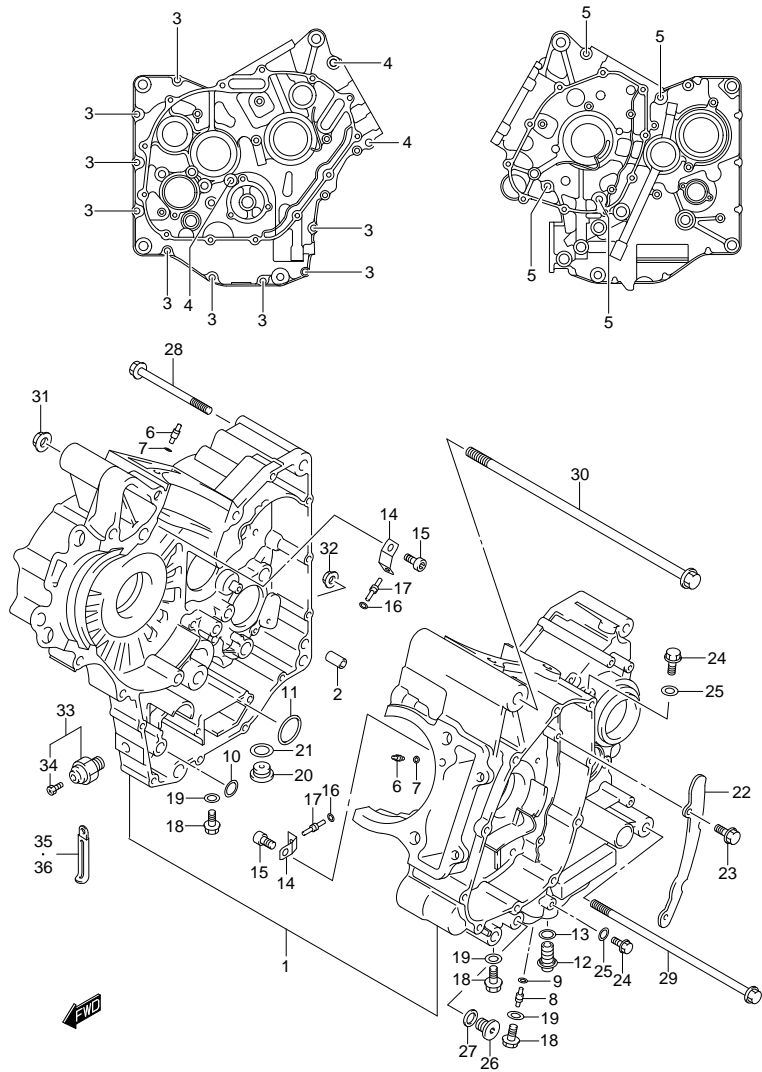


FIG.6

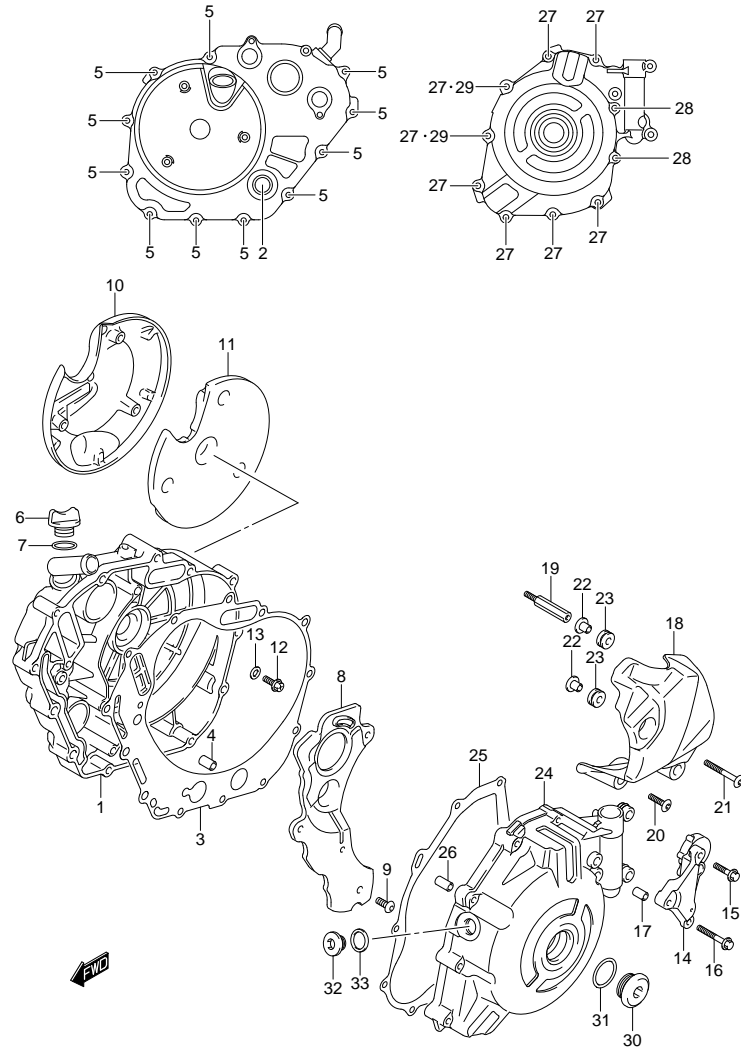


FIG.6 (1-B-8) CRANKCASE COVER

REF NO.	PART NO.	DESCRIPTION	Q'TY	REMARKS
1	11340-44H10	COVER, CLUTCH	1	
2	11971-33210	·LENS, OIL LEVEL CHECK	1	
3	11482-44H00	GASKET, CLUTCH COVER INNER	1	
4	04211-09149	PIN	2	
5	09103-06214	BOLT (6X35)	11	
6	11971-25D00	PLUG, OIL FILLER	1	
7	09280-17003	O RING (D:3.1,ID:16.8)	1	
8	11343-44H00	SEPARATOR, OIL	1	
9	09106-06098	BOLT (6X12)	4	
10	11342-11J00	COVER, CLUTCH OUTER	1	
11	11344-11J00	DAMPER	1	
12	02162-06167	BOLT	3	
13	09168-06023	GASKET (5.8X13X1.2)	3	
14	11361-44H00	COVER, ENGINE SPROCKET INNER	1	
15	01547-0620A	BOLT	1	
16	01547-0635A	BOLT	1	
17	04211-09129	PIN	2	
18	11371-11J00	COVER, ENGINE SPROCKET OUTER	1	
19	11372-22H00	BOLT	2	
20	09139-06028	BOLT (6X20)	2	
21	09139-06105	BOLT (6X40)	1	
22	09169-06062	WASHER	3	
23	09320-09016	CUSHION	3	
24	11351-44H00	COVER, MAGNETO	1	
25	11483-19F00	GASKET, MAGNETO COVER	1	
26	04211-09149	PIN	2	
27	09103-06214	BOLT (6X35)	8	
28	09103-06239	BOLT (6X65)	2	
29	09168-06023	GASKET (5.8X13X1.2)	2	
30	09259-26011	PLUG	1	
31	09280-22008	O RING (D:3.1,ID:22.7)	1	
32	09248-16012	PLUG	1	
33	09168-16002	GASKET (16X22X2)	1	

FIG.7

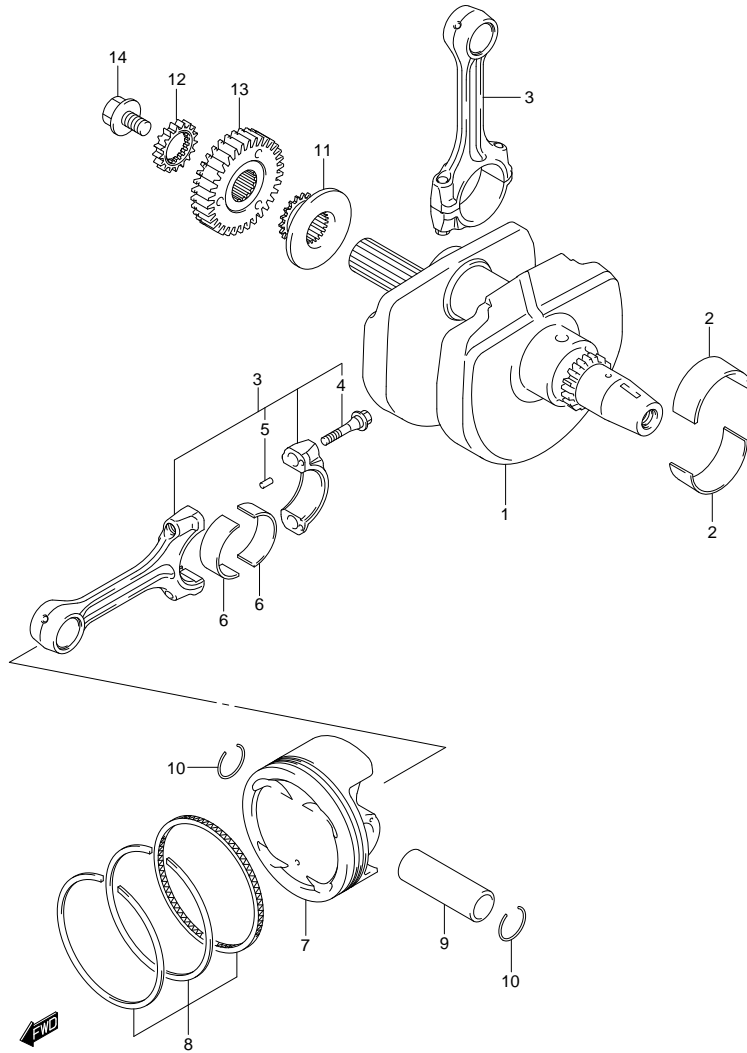


FIG.7 (1-B-9) CRANKSHAFT

REF NO.	PART NO.	DESCRIPTION	QTY	REMARKS
1	12220-44H10	CRANKSHAFT	1	
2-1	12229-44H00-0A0	BEARING, CRANKSHAFT (GREEN)	4	
2-2	12229-44H00-0B0	BEARING, CRANKSHAFT (BLACK)	4	
2-3	12229-44H00-0C0	BEARING, CRANKSHAFT (BROWN)	4	
3	12160-17G10	CONNECTING ROD ASSY	2	
4	12163-24F10	·BOLT, CONNECTING ROD	4	
5	04221-04089	·PIN	4	
6-1	12164-46E01-0A0	BEARING, CRANK PIN (GREEN)	4	
6-2	12164-46E01-0B0	BEARING, CRANK PIN (BLACK)	4	
6-3	12164-46E01-0C0	BEARING, CRANK PIN (BROWN)	4	
6-4	12164-46E01-0D0	BEARING, CRANK PIN (YELLOW)	4	
7	12111-44H10-0F0	PISTON	2	
8	12140-15H00	RING SET, PISTON	2	
9	12151-05A00	PIN, PISTON	2	
10	09381-20004	CIRCLIP	4	
11	12731-19F00	SPROCKET, CAM CHAIN DRIVE	1	
12	17451-17G00	GEAR, WATER PUMP DRIVE	1	
13	21100-44H00	GEAR, PRIMARY DRIVE	1	
14	09103-10338	BOLT (10X19)	1	

FIG.8

FIG. 8 (1-B-10) STARTER CLUTCH

REF NO.	PART NO.	DESCRIPTION	Q' TY	REMARKS
1	12611-27G00	GEAR, STARTER IDLE	1	
2	09206-12006	PIN (8X12X45.5)	1	
3	12600-06821	CLUTCH SET, STARTER	1	
4	09139-08023	SCREW (8X16)	6	

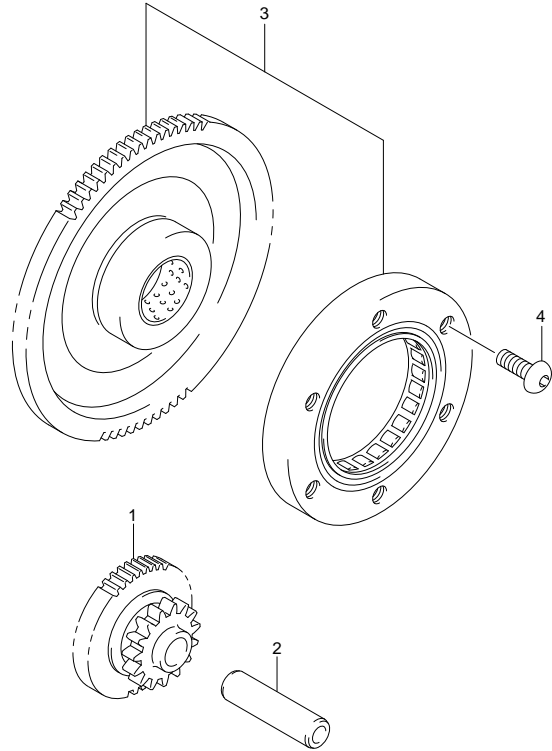


FIG.9

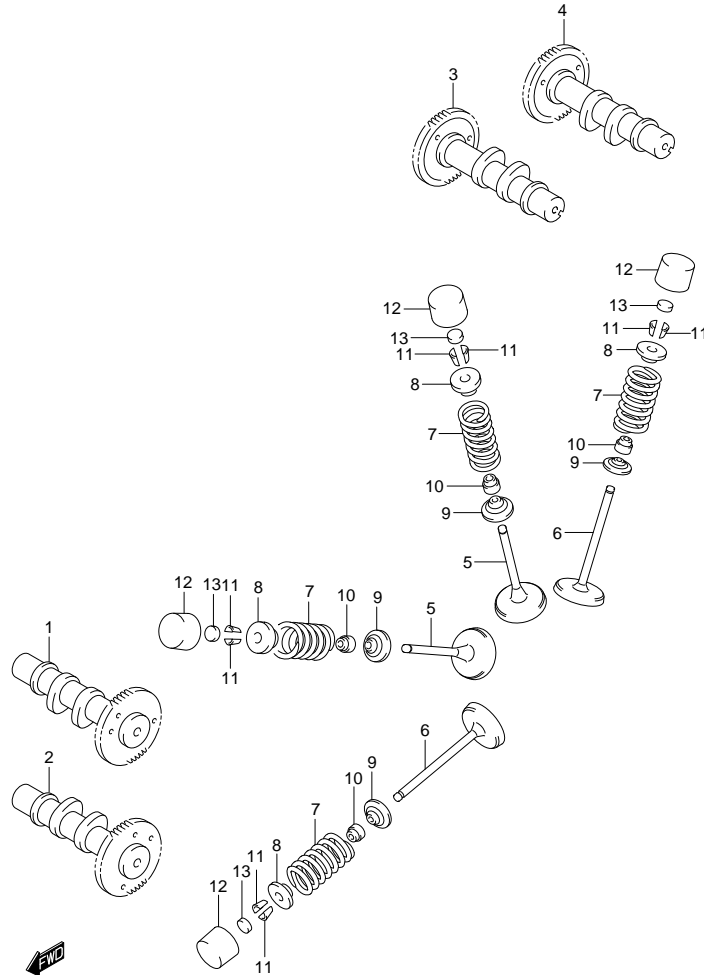


FIG.9 (1-B-11) CAMSHAFT / VALVE

REF NO.	PART NO.	DESCRIPTION	Q' TY	REMARKS
1	12710-11J00	CAMSHAFT, INTAKE FRONT	1	
2	12720-20F00	CAMSHAFT, EXHAUST FRONT	1	
3	12730-11J00	CAMSHAFT, INTAKE REAR	1	
4	12740-20F00	CAMSHAFT, EXHAUST REAR	1	
5	12911-18H00	VALVE, INTAKE	4	
6	12912-20F00	VALVE, EXHAUST	4	
7	12921-44H00	SPRING, VALVE	8	
8	12931-17E01	RETAINER, VALVE SPRING	8	
9	12933-17E00	SEAT, VALVE SPRING	8	
10	09289-04002	OIL SEAL (4.5X10X8)	8	
11	12932-32C00	COTTER, VALVE	16	
12	12891-18H00	TAPPET	8	
13-1	12892-05C00-120	SHIM, TAPPET (T:1.20)	8	
13-2	12892-05C00-125	SHIM, TAPPET (T:1.25)	8	
13-3	12892-05C00-130	SHIM, TAPPET (T:1.30)	8	
13-4	12892-05C00-135	SHIM, TAPPET (T:1.35)	8	
13-5	12892-05C00-140	SHIM, TAPPET (T:1.40)	8	
13-6	12892-05C00-145	SHIM, TAPPET (T:1.45)	8	
13-7	12892-05C00-150	SHIM, TAPPET (T:1.50)	8	
13-8	12892-05C00-155	SHIM, TAPPET (T:1.55)	8	
13-9	12892-05C00-160	SHIM, TAPPET (T:1.60)	8	
13-10	12892-05C00-165	SHIM, TAPPET (T:1.65)	8	
13-11	12892-05C00-170	SHIM, TAPPET (T:1.70)	8	
13-12	12892-05C00-175	SHIM, TAPPET (T:1.75)	8	
13-13	12892-05C00-180	SHIM, TAPPET (T:1.80)	8	
13-14	12892-05C00-185	SHIM, TAPPET (T:1.85)	8	
13-15	12892-05C00-190	SHIM, TAPPET (T:1.90)	8	
13-16	12892-05C00-195	SHIM, TAPPET (T:1.95)	8	
13-17	12892-05C00-200	SHIM, TAPPET (T:2.00)	8	
13-18	12892-05C00-205	SHIM, TAPPET (T:2.05)	8	
13-19	12892-05C00-210	SHIM, TAPPET (T:2.10)	8	
13-20	12892-05C00-215	SHIM, TAPPET (T:2.15)	8	
13-21	12892-05C00-220	SHIM, TAPPET (T:2.20)	8	

FIG.9

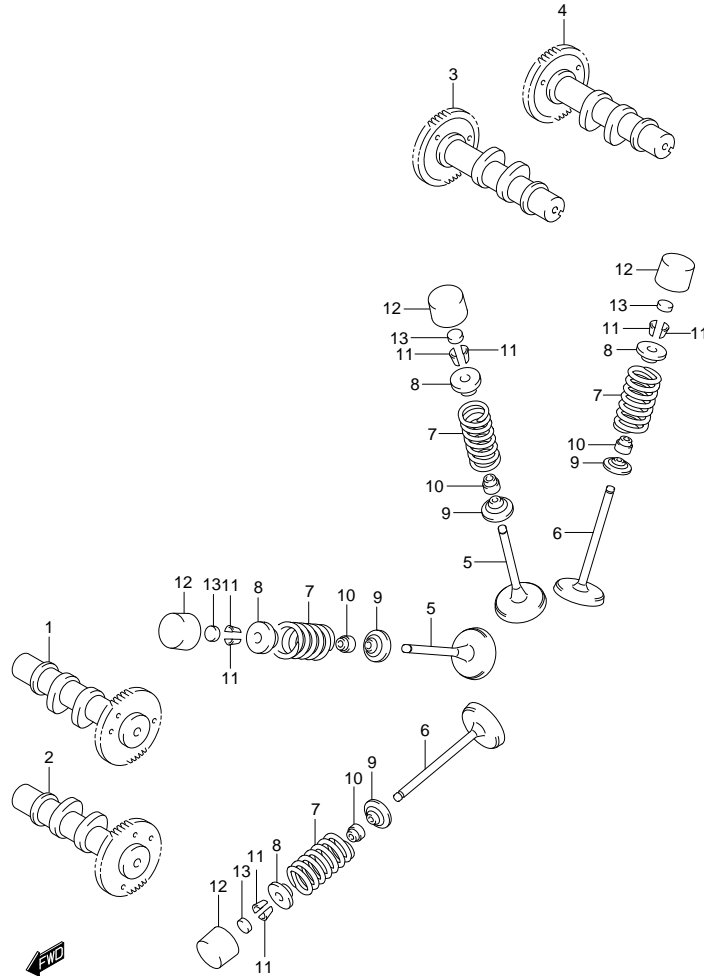


FIG. 9 (1-B-12) CAMSHAFT / VALVE

REF NO.	PART NO.	DESCRIPTION	Q' TY	REMARKS
14	12800-05830	SHIM SET, TAPPET	1	OPT NOT ILLUSTRATED
15	99000-69491	CASE, TAPPET SHIM	1	OPT NOT ILLUSTRATED

FIG.10

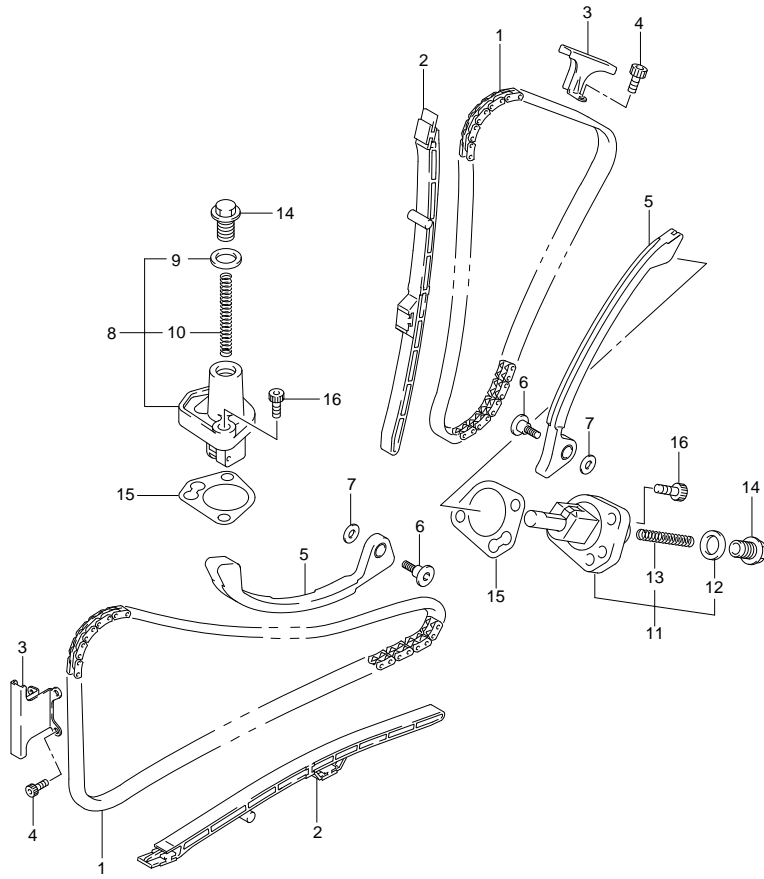


FIG. 10 (1-B-13) CAM CHAIN

REF NO.	PART NO.	DESCRIPTION	QTY	REMARKS
1	12760-19F01	CHAIN, CAM SHAFT DRIVE	2	
2	12771-44H00	GUIDE, CAM CHAIN NO.1	2	
3	12782-19F00	GUIDE, CAM CHAIN NO.2	2	
4	07130-0612A	BOLT	6	
5	12811-17G00	TENSIONER, CAM CHAIN	2	
6	12812-35C00	BOLT, CAM CHAIN TENSIONER	2	
7	08211-06181	WASHER	2	
8	12830-27G00	ADJUSTER ASSY, TENSIONER FRONT	1	
9	12837-24F10	GASKET, TENSIONER ADJUSTER	1	
10	12831-39F00	SPRING	1	
11	12830-27G10	ADJUSTER ASSY, TENSIONER REAR	1	
12	12837-24F10	GASKET, TENSIONER ADJUSTER	1	
13	12831-39F00	SPRING	1	
14	12833-17G00	PLUG, TENSIONER ADJUSTER	2	
15	12837-27G00	GASKET, TENSIONER ADJUSTER	2	
16	07130-0625A	BOLT	4	



FIG.11

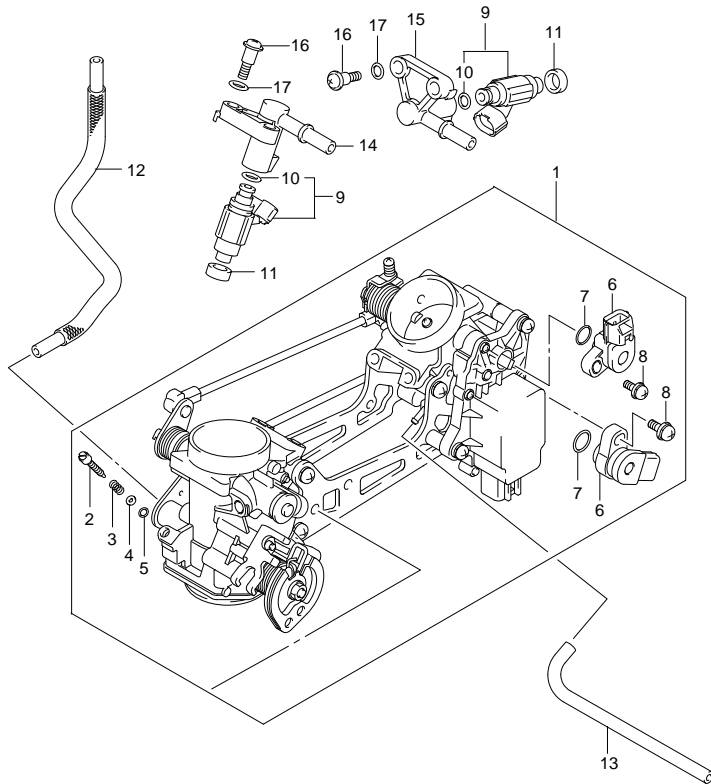


FIG. 11 (1-B-14) THROTTLE BODY (DL650AL2 E28)

REF. NO.	PART NO.	DESCRIPTION	Q'TY	REMARKS
1	13405-11J00	THROTTLE BODY	1	
2	13269-33E00	·SCREW	2	
3	13268-48700	·SPRING,THROTTLE SCREW	2	
4	13606-47A00	·WASHER	2	
5	13295-29900	·O RING	2	
6	13580-27G21	·SENSOR ASSY	2	
7	13575-29G00	·O RING	2	
8	13605-02F00	·SCREW	2	
9	15710-44H00	INJECTOR ASSY	2	
10	15717-58B00	·O RING	2	
11	15722-29G00	SEAL	2	
12	13683-44H00	HOSE	1	
13	13683-44H10	HOSE	1	
14	15731-11J00	DELIVERY PIPE	1	
15	15732-11J00	DELIVERY PIPE	1	
16	13601-11J00	SCREW,DELIVERY PIPE	4	
17	13602-29G00	PACKING	4	



FIG.12

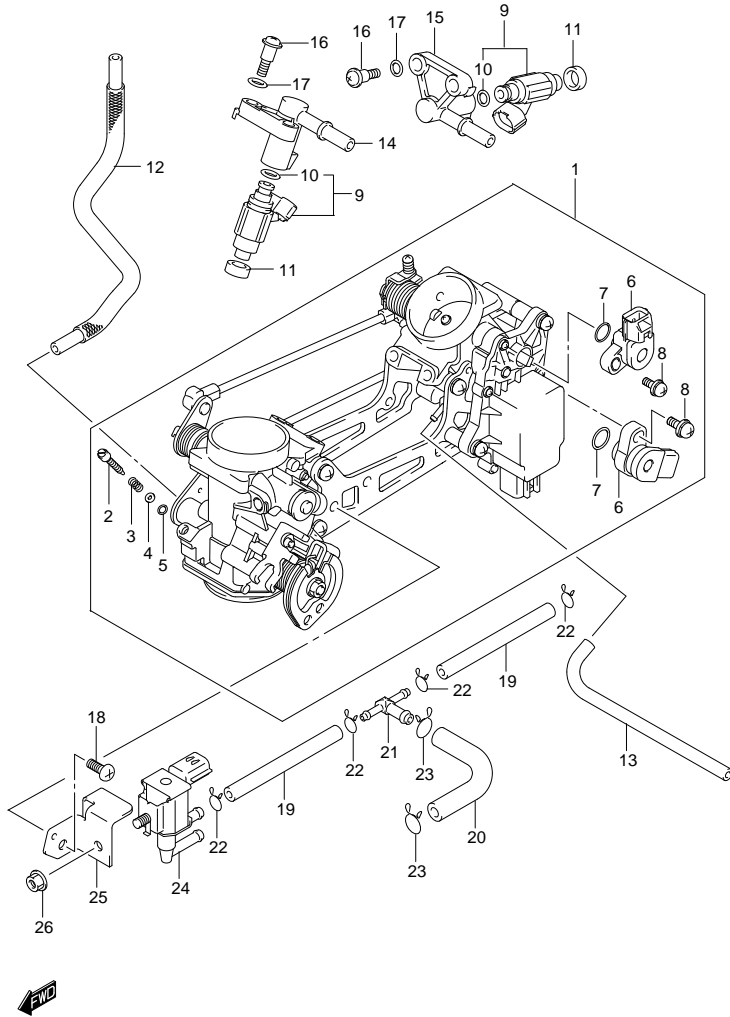


FIG.12 (1-B-15) THROTTLE BODY (DL650AL2 E33)

REF NO.	PART NO.	DESCRIPTION	Q'TY	REMARKS
1	13405-11J10	THROTTLE BODY	1	
2	13269-33E00	·SCREW	2	
3	13268-48700	·SPRING,THROTTLE SCREW	2	
4	13606-47A00	·WASHER	2	
5	13295-29900	·O RING	2	
6	13580-27G21	·SENSOR ASSY	2	
7	13575-29G00	·O RING	2	
8	13605-02F00	·SCREW	2	
9	15710-44H00	INJECTOR ASSY	2	
10	15717-58B00	·O RING	2	
11	15722-29G00	SEAL	2	
12	13683-44H00	HOSE	1	
13	13683-44H10	HOSE	1	
14	15731-11J00	DELIVERY PIPE	1	
15	15732-11J00	DELIVERY PIPE	1	
16	13601-11J00	SCREW,DELIVERY PIPE	4	
17	13602-29G00	PACKING	4	
18	13602-06128	SCREW	2	
19	13681-06G40	HOSE	2	
20	13683-44H30	HOSE	1	
21	13685-04F10	NIPPLE	1	
22	13671-12C00	CLIP	4	
23	13671-48B10	CLIP	2	
24	18117-52G10	SOLENOID ASSY	1	
25	18119-44H00	BRACKET	1	
26	08316-1006A	NUT	1	

FIG.13

FIG.13 (1-C-2) AIR CLEANER

REF NO.	PART NO.	DESCRIPTION	Q'TY	REMARKS
1	13700-11J00	CLEANER ASSY, AIR	1	
2	13740-11J00	·CAP, AIR CLEANER	1	
3	13891-27G01	··TUBE, INLET	1	
4	13881-27G10	·TUBE, OUTLET	1	
5	13882-27G10	·TUBE, OUTLET	1	
6	13788-11J00	·FILTER, BREATHER	1	
7	13826-44H01	·CLAMP, OUTLET TUBE REAR	2	
8	13780-27G10	·FILTER, AIR CLEANER	1	
9	13746-06G00	··GASKET	1	
10	03141-0516A	·SCREW	8	
11	13878-10G00	·PLUG, DRAIN	1	
12	09401-14301	·CLIP	1	
13	13850-11J00	TUBE, BREATHER CRANKCASE	1	
14	09401-20405	CLIP	2	
15	18591-41F00	SENSOR, PRESSURE	2	
16	18595-41F00	HOLDER	2	
17	13650-41F10	SENSOR AIR TEMP	1	
18	13655-41F10	·O RING	1	
19	03511-0516A	SCREW	1	

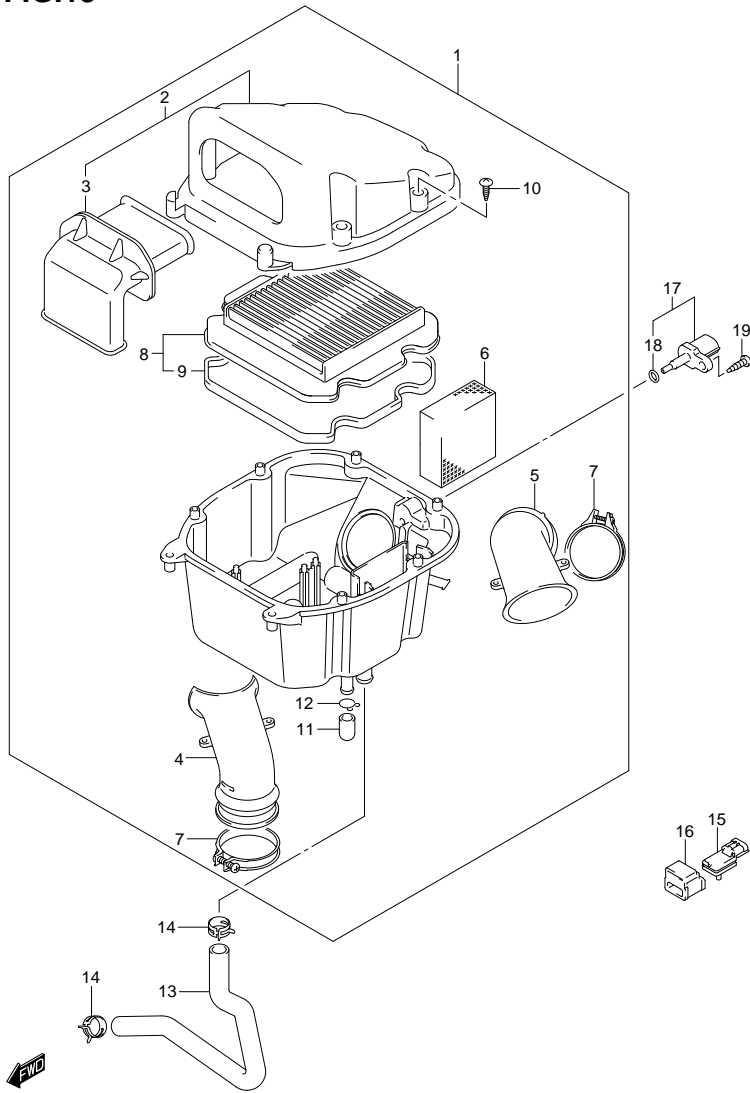


FIG.14

FIG.14 (1-C-3) MUFFLER

REF NO.	PART NO.	DESCRIPTION	Q' TY	REMARKS
1	14150-27G10	PIPE, EXHAUST REAR	1	
2	14160-17G10	PIPE, EXHAUST FRONT	1	
3	14181-22D01	GASKET, EXHAUST PIPE	2	
4	14771-32E10	CONNECTOR, MUFFLER	2	
5	09103-08365	BOLT (8X35)	2	
6	09106-08165	BOLT (8X25)	4	
7	14771-11J00	COVER, MUFFLER FRONT	1	
8	14781-11J00-YUS	COVER, MUFFLER (SILVER)	1	
9	09139-06126	SCREW (6X20)	5	
10	09320-08070	CUSHION	5	
11	09118-08152-A05	BOLT (8X45)	1	
12	09180-08152	SPACER (8.6X12X24.2)	1	
13	09320-12048	CUSHION	1	
14	14305-11J00	MUFFLER	1	
15	09103-08358	BOLT (8X45)	2	
16	14414-27G00	NUT, MUFFLER SPRT	1	
17	09180-08156	SPACER (8.6X12X27.1)	1	
18	09320-12049	CUSHION	2	
19	14414-06G00	NUT, MUFFLER SPRT	1	
20	09160-08146	WASHER (8.5X33X1.5)	1	
21	09321-10018	CUSHION	5	
22	18213-17G01	SENSOR, OXYGEN	1	
23	09407-14407	CLAMP (L:145)	1	

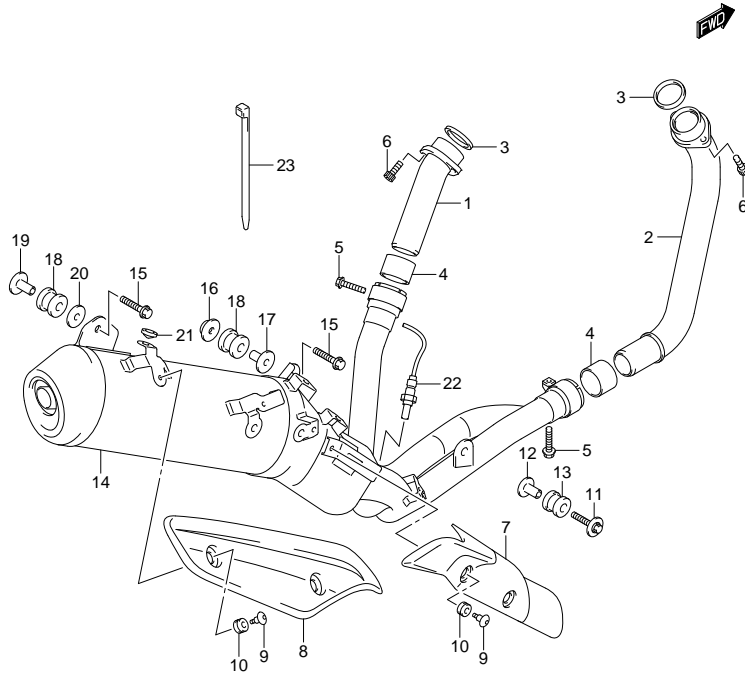


FIG.15

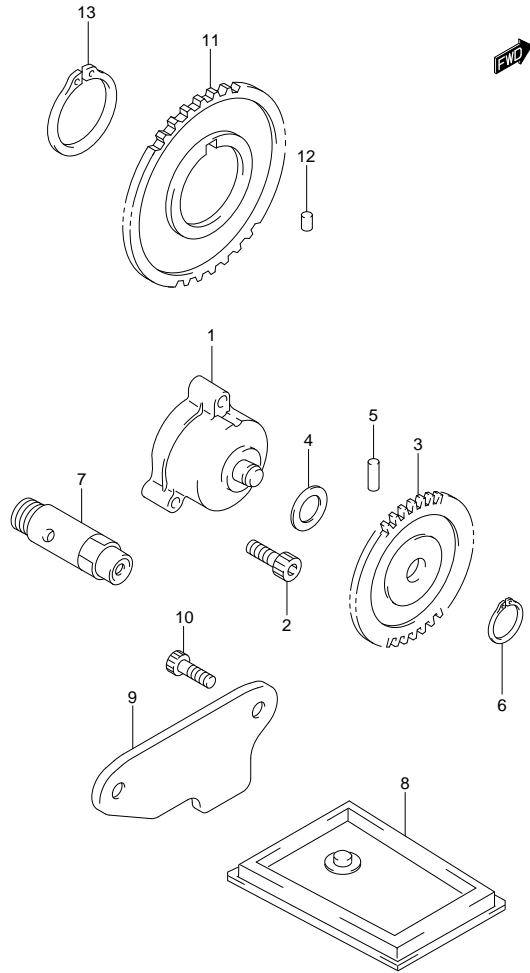


FIG.15 (1-C-4) OIL PUMP

REF NO.	PART NO.	DESCRIPTION	Q' TY	REMARKS
1	16400-20F00	PUMP ASSY, ENGINE OIL	1	
2	07130-0625A	BOLT	3	
3	16331-19F00	GEAR, ENG OIL PUMP DRIVEN (NT:34)	1	
4	09181-10158	SHIM (10X18X0.5)	1	
5	09261-04001	PIN (4X18.5)	1	
6	08331-3110A	CIRCLIP	1	
7	16440-17C20	VALVE ASSY, OIL RELIEF	1	
8	16520-32E00	STRAINER, ENGINE OIL	1	
9	16523-17G00	CAP, OIL STRAINER	1	
10	01547-0612A	BOLT	2	
11	16321-19F00	GEAR, ENGINE OIL PUMP DRIVE	1	
12	09261-06002	ROLLER (OD:6,L:6)	1	
13	08331-31383	CIRCLIP	1	

FIG.16

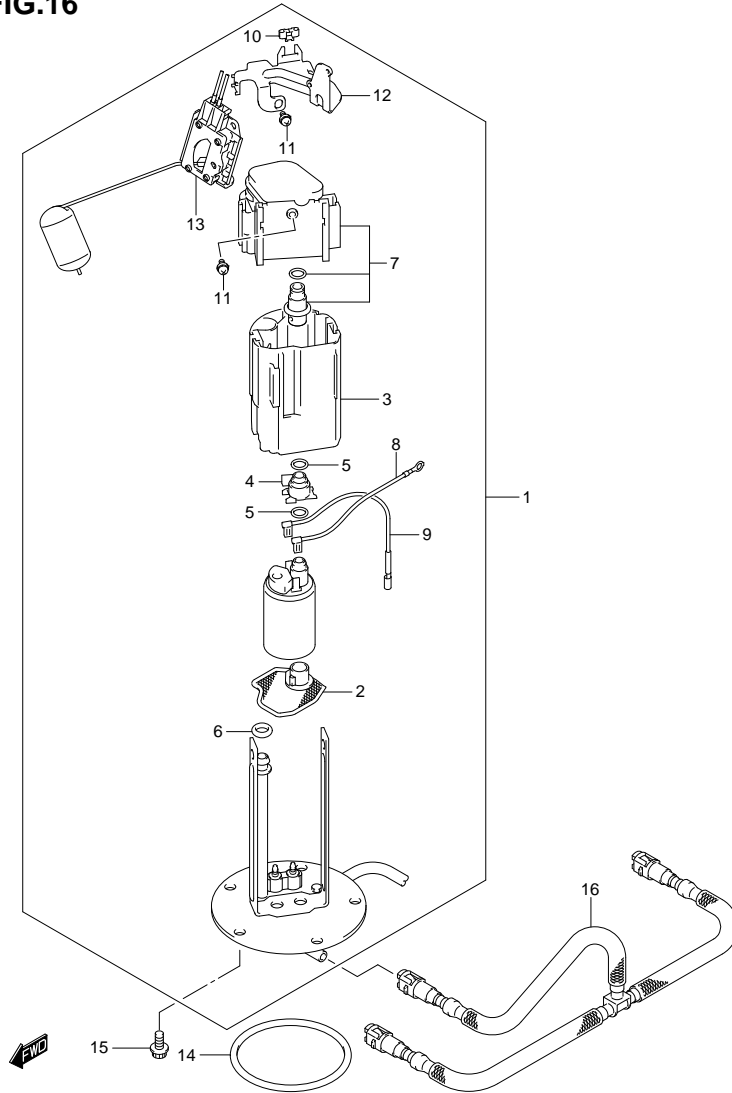


FIG. 16 (1-C-5) FUEL PUMP

REF NO.	PART NO.	DESCRIPTION	Q' TY	REMARKS
1	15100-11J00	PUMP ASSY, FUEL	1	
2	15420-05H00	·STRAINER	1	
3	15111-27G00	·CUP, RESERVOIR	1	
4	15112-05H00	·JOINT	1	
5	15113-05H00	·O RING	2	
6	15113-35F00	·O RING	1	
7	15610-14J00	·REGULATOR	1	
8	15114-14J00	·WIPE, EARTH	1	
9	15115-14J00	·WIRE, LEAD	1	
10	15119-08J00	·SADDLE, EDGE	1	
11	15116-10F00	·SCREW	3	
12	15181-11J00	·BRACKET, FUEL GAUGE	1	
13	34810-11J00	·GAUGE ASSY	1	
14	15201-35F00	O RING, FUEL PUMP	1	
15	07120-0612A	BOLT	5	
16	15810-11J10	HOSE, FUEL	1	

FIG.17

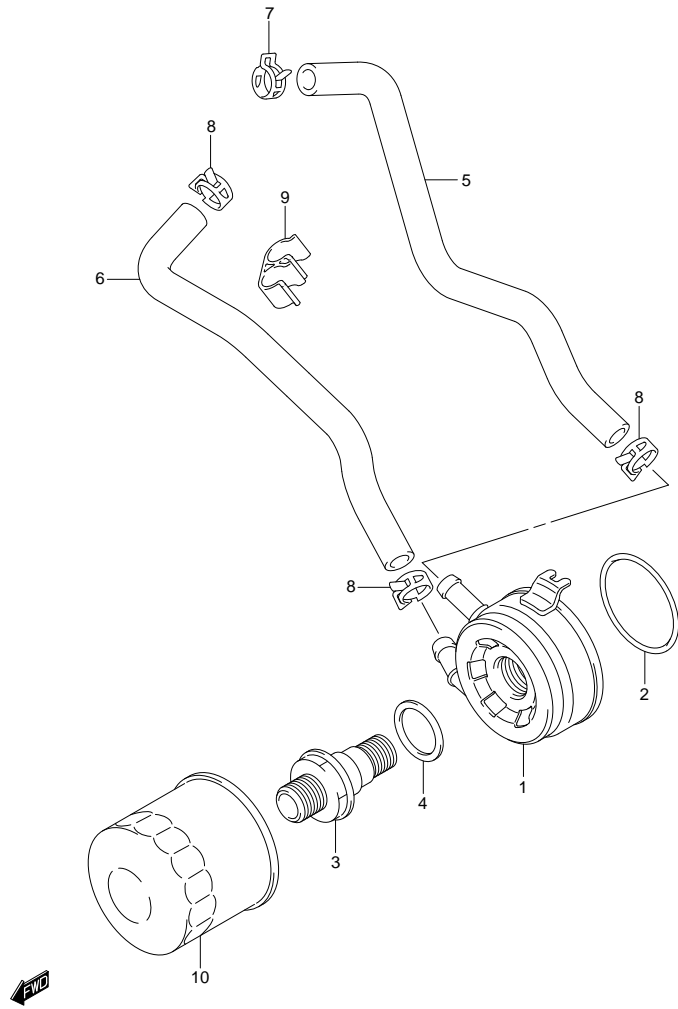


FIG.17 (1-C-6) OIL COOLER

REF NO.	PART NO.	DESCRIPTION	Q'TY	REMARKS
1	16600-44H00	COOLER ASSY, OIL	1	
2	09280-55002	O RING (D:3.1, ID:54.5)	1	
3	16591-02F00	BOLT, UNION	1	
4	09181-25160	SHIM (25X34X0.7)	1	
5	16461-44H00	HOSE, INLET	1	
6	16471-44H00	HOSE, OUTLET	1	
7	09401-16407	CLIP	1	
8	09401-16409	CLIP	3	
9	09408-00267	CLAMP	1	
10	16510-07J00	FILTER ASSY, ENGINE OIL	1	

FIG.18

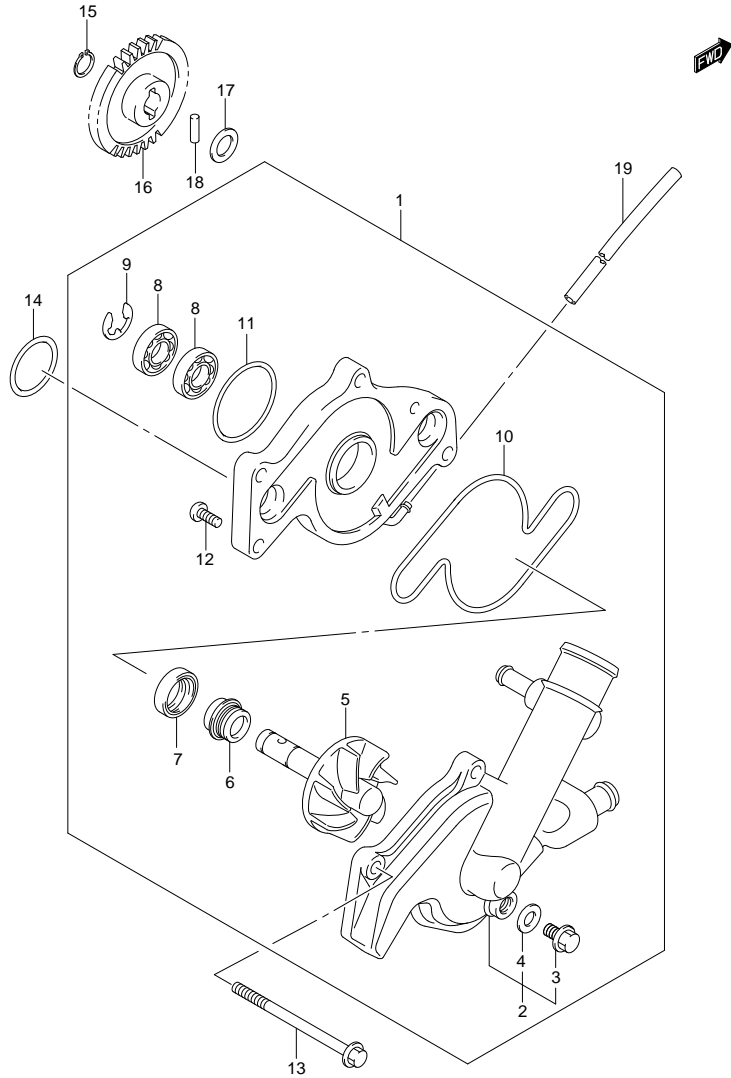


FIG. 18 (1-C-7) WATER PUMP

REF NO.	PART NO.	DESCRIPTION	Q'TY	REMARKS
1	17400-44H00	PUMP ASSY, WATER	1	
2	17411-44H00	CASE, WATER PUMP	1	
3	17415-20920	BOLT	1	
4	09168-08016	GASKET (8.2X14X1)	1	
5	17491-19F40	IMPELLER/SHAFT	1	
6	17470-02F10	SEAL, MECHANICAL	1	
7	17461-48G00	OIL SEAL (10X21X5)	1	
8	09262-10014	BEARING (10X26X8)	2	
9	08332-1108A	E RING	1	
10	17418-19F00	O RING	1	
11	17435-33400	O RING	1	
12	02112-0510A	SCREW	2	
13	09103-06225	BOLT (6X70)	3	
14	09280-22001	O RING (D:2.4,ID:21.8)	2	
15	08331-3110A	CIRCLIP	1	
16	17461-44H00	GEAR, WATER PUMP DRIVEN	1	
17	09181-10158	SHIM (10X18X0.5)	1	
18	09261-04002	ROLLER (4X13.8)	1	
19	09352-35653-600	HOSE (3.5X6.5X600)	1	L:600->320

FIG.19

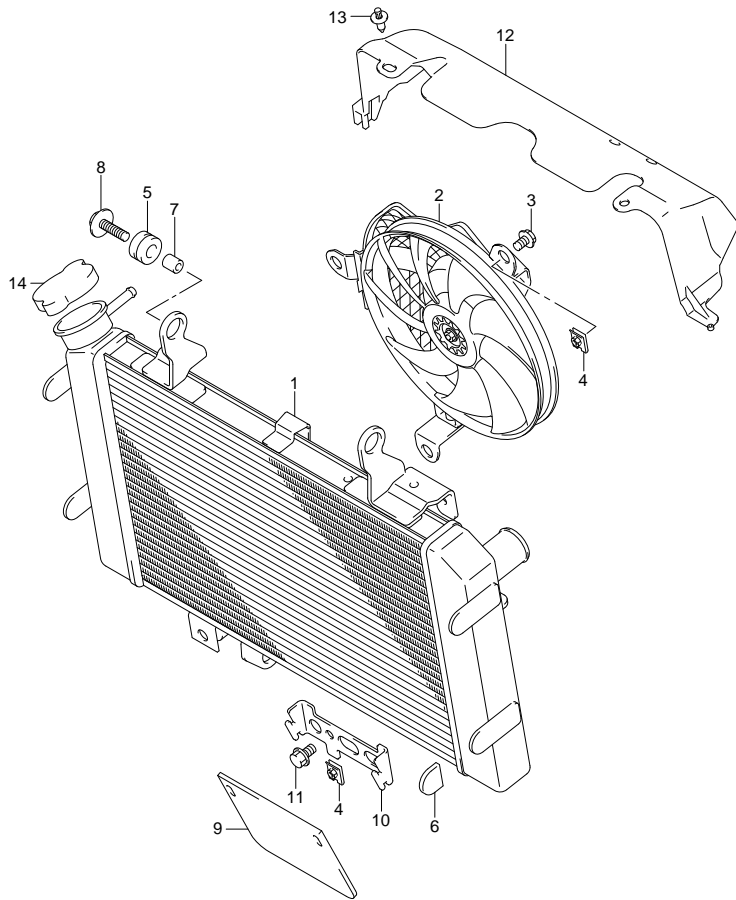


FIG. 19 (1-C-8) RADIATOR

REF NO.	PART NO.	DESCRIPTION	Q' TY	REMARKS
1	17710-11J00	RADIATOR ASSY, WATER	1	
2	17800-11J00	FAN ASSY, RADIATOR	1	
3	17711-08J00	BOLT	3	
4	17712-40F00	NUT	3	
5	09320-10501	CUSHION	3	
6	09329-18001	CUSHION	4	
7	09180-06310	SPACER (6.5X10X10)	2	
8	09118-06097	BOLT (6X25)	2	
9	17781-17G00	RUBBER, RADIATOR UNDER	1	
10	17741-17G00	BRACKET, RADIATOR UNDER RUBBER	1	
11	01547-0612A	BOLT	1	
12	17771-11J00	SHIELD, RADIATOR HEAT	1	
13	09409-06314-5PK	CLIP (BLACK)	2	
14	17730-08J00	CAP, RADIATOR 1.1	1	



FIG.20

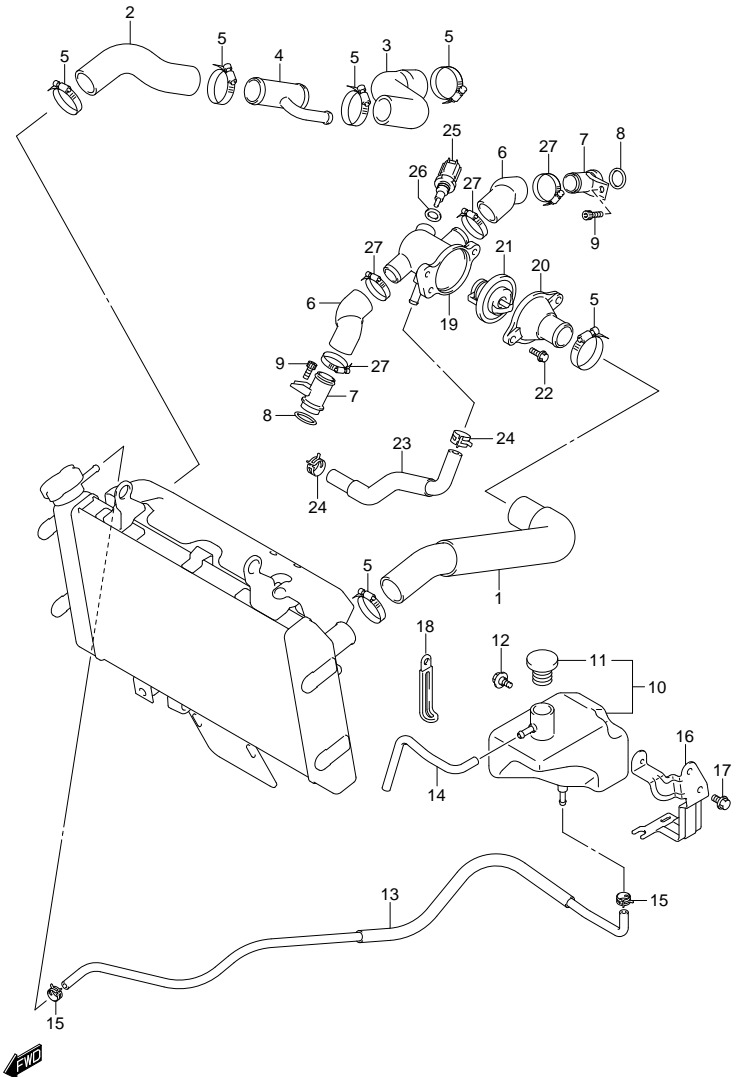
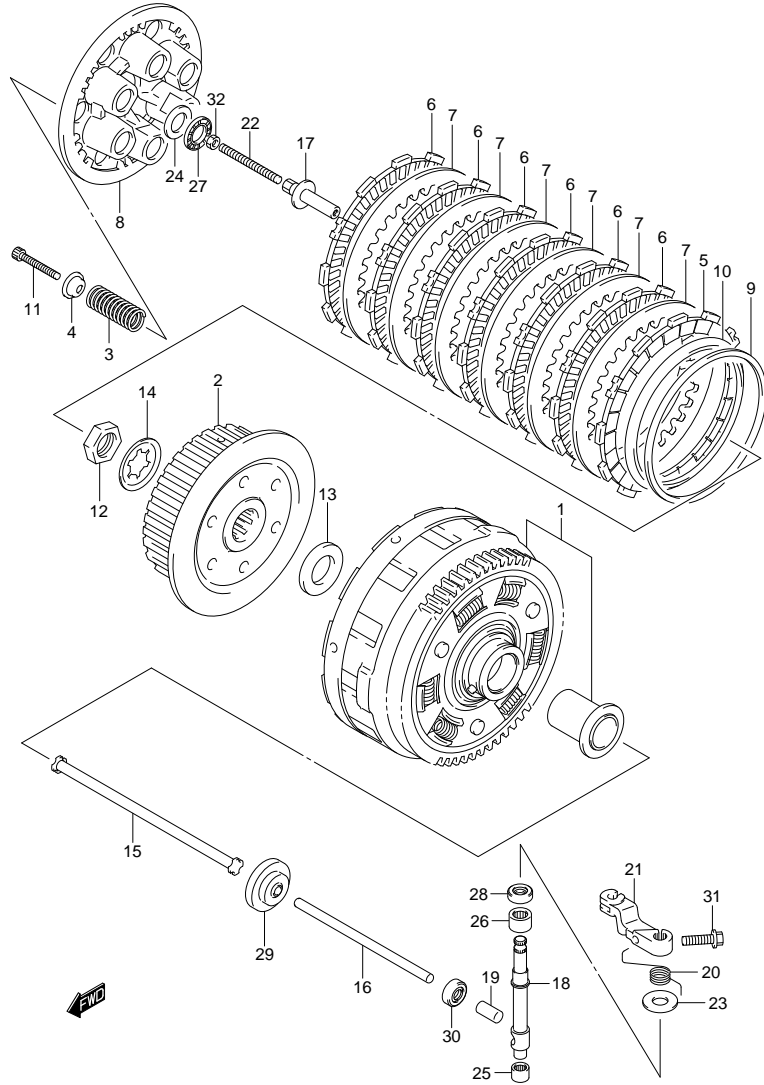


FIG. 20 (1-C-9) RADIATOR HOSE

REF NO.	PART NO.	DESCRIPTION	Q' TY	REMARKS
1	17851-11J00	HOSE, RADIATOR INLET	1	
2	17852-44H00	HOSE, RADIATOR OUTLET NO.1	1	
3	17854-44H00	HOSE, RADIATOR OUTLET NO.2	1	
4	17880-44H00	UNION, 3WAY	1	
5	09402-35501	CLAMP	6	
6	17853-19F00	HOSE, CONNECTOR INLET	2	
7	17890-06G20	UNION, CONNECTOR HOSE	2	
8	09280-18008	O RING (D:3.2,ID:17.8)	2	
9	07130-0612A	BOLT	2	
10	17910-27G10	TANK ASSY, RESERVOIR	1	
11	17931-02FA0	·CAP, RESERVOIR TANK	1	
12	09111-06085	BOLT (6X12)	1	
13	17900-27810	HOSE, RESERVOIR TANK INLET	1	
14	17982-22H00	HOSE, RESERVOIR TANK OVERFLOW	1	
15	09401-08411	CLIP	2	
16	17920-27G10	BRACKET, RESERVOIR TANK	1	
17	01550-0610A	BOLT	2	
18	09404-06429	CLAMP (L:45)	1	
19	17662-02F11	CONNECTOR, THERMOSTAT INLET	1	
20	17663-17G00	CAP, THERMOSTAT CONNECTOR	1	
21	17670-06G60	THERMOSTAT, WATER	1	
22	01547-0616A	BOLT	2	
23	17856-44H00	HOSE, CONNECTOR TO WATER PUMP	1	
24	09401-12409	CLAMP	2	
25	13650-49X00	SENSOR, WATER TEMPERATURE	1	
26	09168-12017	GASKET (12X17X1)	1	
27	09402-28513	CLAMP	4	

FIG.21



DL650AL2 E28 E33_021
CLUTCH

FIG. 21 (1-C-10) CLUTCH

REF NO.	PART NO.	DESCRIPTION	Q' TY	REMARKS
1	21200-44860	GEAR ASSY, PRIMARY DRIVEN	1	
2	21411-44101	HUB, CLUTCH SLEEVE	1	
3	21413-17G10	SPRING, CLUTCH	6	
4	21414-29F00	WASHER, CLUTCH SPRING	6	
5	21442-29F10	PLATE, CLUTCH DRIVE NO.2	1	
6	21441-29F30	PLATE, CLUTCH DRIVE	6	
7	21451-28C31	PLATE, CLUTCH DRIVEN (T:1.6)	6	
8	21462-14301	DISC, CLUTCH PRESSURE	1	
9	21471-17G00	SEAT, WAVE WASHER	1	
10	21472-17G00	WASHER, CLUTCH PLATE WAVE	1	
11	21482-41G10	BOLT, CLUTCH SPRING	6	
12	09140-20001	NUT	1	
13	09160-20067	WASHER (20X36X3)	1	
14	09167-20006	LOCK WASHER	1	
15	23110-44111	ROD, CLUTCH PUSH	1	
16	23111-15501	ROD, CLUTCH PUSH, L	1	
17	23121-44H00	PIECE, CLUTCH PUSH	1	
18	23122-44H00	CAMSHAFT, CLUTCH RELEASE	1	
19	23123-41G00	CAP, CLUTCH PUSH ROD	1	
20	23125-11J00	SPRING, CLUTCH RELEASE RETURN	1	
21	23271-44H10	ARM, CLUTCH RELEASE	1	
22	09134-06015	SCREW (6X73)	1	
23	09160-10020	WASHER (10.5X24X1)	1	
24	09160-15045	WASHER (15.5X28X1)	1	
25	09263-10014	BEARING (10X14X10)	1	
26	09263-12027	BEARING (12X18X12)	1	
27	09263-15003	BEARING (15X28X2)	1	
28	09282-10012	SEAL (10X20X6)	1	
29	09283-06008	SEAL (6X34X10.5)	1	
30	09285-10004	SEAL (10X17X5)	1	
31	01547-0620A	BOLT	1	
32	08310-0006A	NUT	1	

DL650AL2 E28 E33

FIG.22

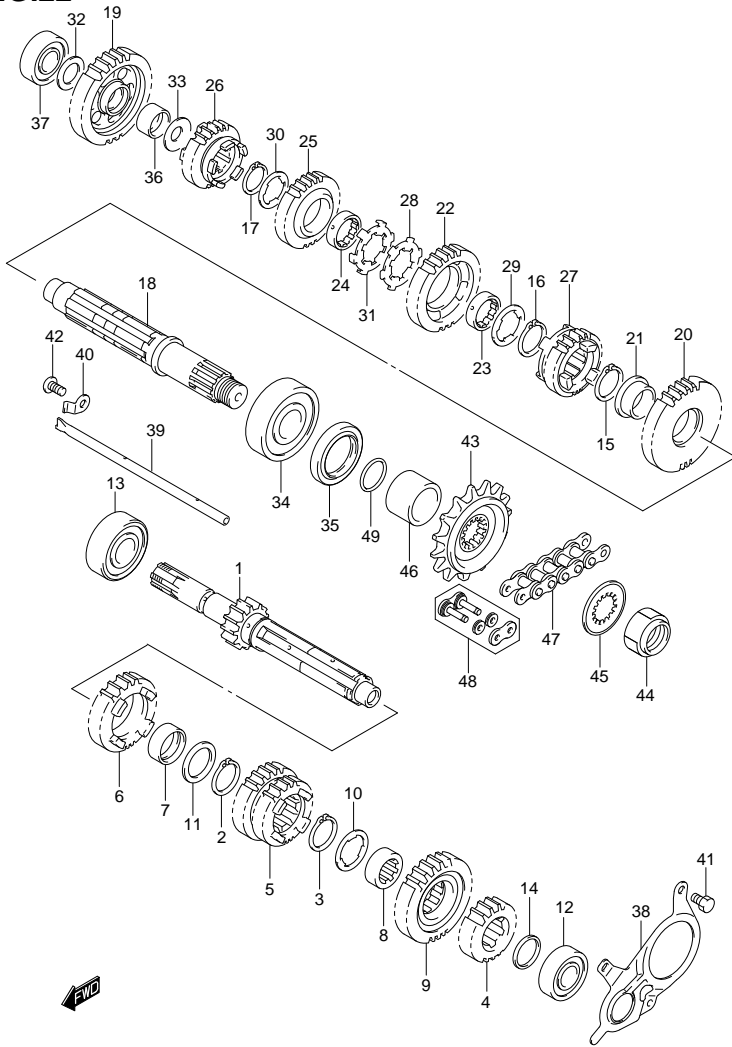


FIG. 22 (1-G-11) TRANSMISSION

REF NO.	PART NO.	DESCRIPTION	Q' TY	REMARKS
1	24120-27G00	SHAFT, COUNTER (NT:13)	1	
2	24127-19F00	CIRCLIP, 5TH DRIVE GEAR	1	
3	24127-19F00	CIRCLIP, 6TH DRIVE GEAR	1	
4	24221-20F10	GEAR, 2ND DRIVE (NT:18)	1	
5	24231-20F10	GEAR, 3RD & 4TH DRIVE	1	
6	24251-20F02	GEAR, 5TH DRIVE (NT:26)	1	
7	24252-19F00	BUSH, 5TH DRIVE GEAR	1	
8	24252-38A10	BUSH, 6TH DRIVE GEAR	1	
9	24261-20F00	GEAR, 6TH DRIVE (NT:27)	1	
10	09167-25021	LOCK WASHER	1	
11	09181-25167	SHIM (25X34X1)	1	
12	09262-17046	BEARING (17X40X12)	1	LH
13	09262-20145	BEARING (20X52X15)	1	RH
14	09380-25012	CIRCLIP	1	
15	24127-19F00	CIRCLIP, 2ND DRIVEN GEAR	1	
16	24127-19F00	CIRCLIP, 3RD DRIVEN GEAR	1	
17	24127-19F00	CIRCLIP, 4TH DRIVEN GEAR	1	
18	24130-44H10	SHAFT, DRIVE	1	
19	24311-44H00	GEAR, 1ST DRIVEN	1	
20	24321-44H10	GEAR, 2ND DRIVEN	1	
21	24322-19F10	BUSH, 2ND DRIVEN GEAR	1	
22	24331-44H00	GEAR, 3RD DRIVEN	1	
23	24332-24510	BUSH, 3RD DRIVEN GEAR	1	
24	24332-24510	BUSH, 4TH DRIVEN GEAR	1	
25	24341-44H00	GEAR, 4TH DRIVEN	1	
26	24351-44H10	GEAR, 5TH DRIVEN	1	
27	24361-44H00	GEAR, 6TH DRIVEN	1	
28	09167-25013	LOCK WASHER	1	
29	09167-25021	LOCK WASHER	1	
30	09167-25021	LOCK WASHER	1	
31	09169-25001	WASHER	1	
32	09181-17195	SHIM (17X28X1)	1	
33	09181-20195	SHIM (20X30X1)	1	
34	09262-25125	BEARING (25X62X17)	1	LH

FIG.22

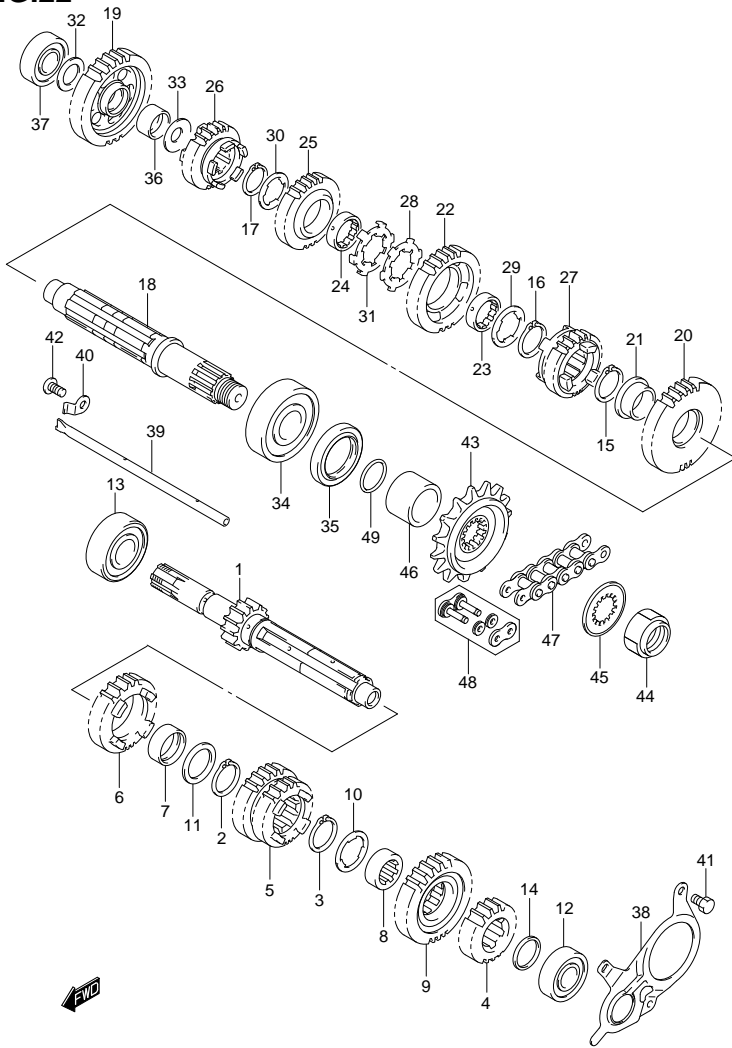


FIG. 22 (1-G-12) TRANSMISSION

REF NO.	PART NO.	DESCRIPTION	QTY	REMARKS
35	09283-36011	OIL SEAL (36X50X6)	1	
36	09300-20032	BEARING (20X24X13)	1	
37	09262-17023	BEARING (17X40X12)	1	RH
38	24751-19F10	RETAINER, DRIVE SHAFT OIL SEAL	1	
39	24881-12C30	GUIDE, T/M OIL	1	
40	24885-12C10	RETAINER, T/M OIL	1	
41	01500-0612A	BOLT	3	
42	02112-0612A	SCREW	1	
43	27510-20F00	SPROCKET, ENGINE (NT:15)	1	
44	09159-20004	NUT	1	
45	09167-25028	WASHER	1	
46	27531-19F10	SPACER, ENGINE SPROCKET	1	
47	27600-06G40-120	CHAIN ASSY, DRIVE	1	
48	27620-06G40	·JOINT SET, CHAIN	1	OPT
49	09280-24010	O RING (D:2.4,ID:23.7)	1	

FIG.23

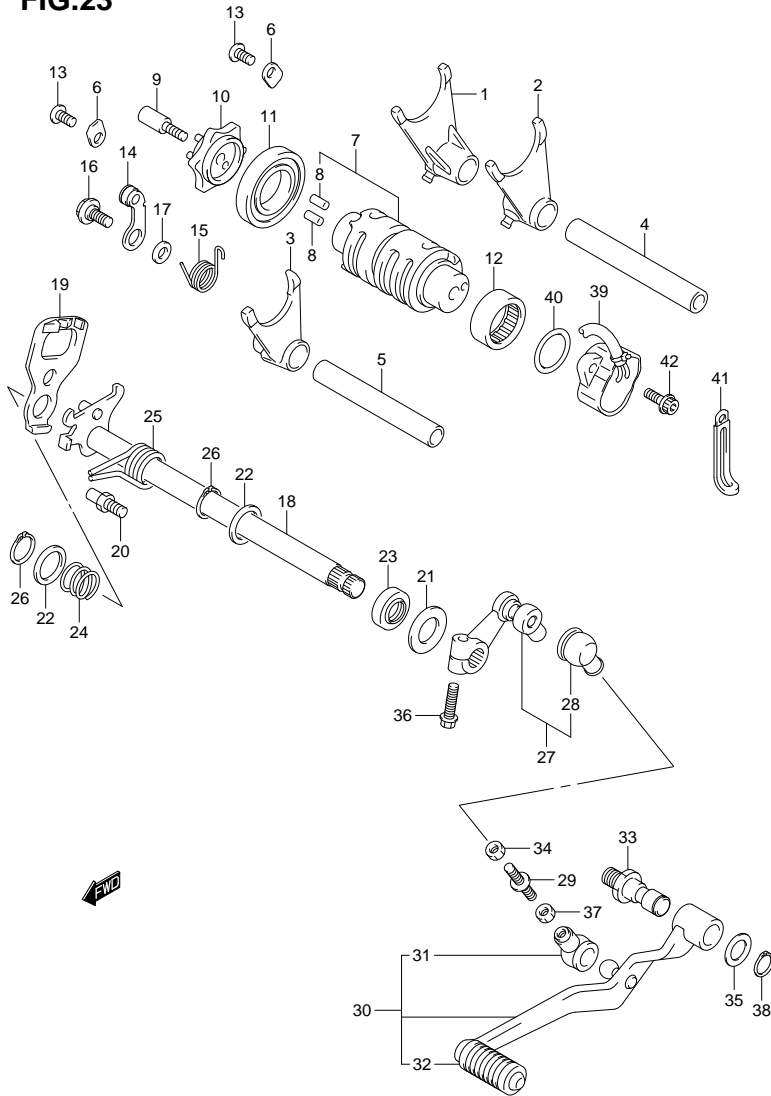


FIG.23 (1-C-13) GEAR SHIFTING

REF NO.	PART NO.	DESCRIPTION	Q'TY	REMARKS
1	25211-42E20	FORK, GEAR SHIFT NO.1	1	
2	25221-42E20	FORK, GEAR SHIFT NO.2	1	
3	25231-42E20	FORK, GEAR SHIFT NO.3	1	
4	25411-26D01	SHAFT, GEAR SHIFT FORK	1	
5	25411-44B00	SHAFT, GEAR SHIFT FORK	1	
6	24741-21A00	RETAINER, SHIFT CAM BEARING	2	
7	25310-19F00	CAM, GEAR SHIFT	1	
8	04221-04089	·PIN	2	
9	25312-42F01	STOPPER, GEAR SHIFT CAM	1	
10	25381-19F20	PLATE, GEAR SHIFT CAM	1	
11	09262-25006	BEARING (25X47X8)	1	
12	09263-25018	BEARING (25X32X12)	1	
13	02112-0612A	SCREW	2	
14	25350-35F00	STOPPER, SHIFT CAM	1	
15	25355-35F01	SPRING	1	
16	09111-06041	BOLT (6X14.3)	1	
17	08211-06141	WASHER	1	
18	25510-19F10	SHAFT, GEAR SHIFT	1	
19	25512-06G10	PLATE, GEAR SHIFT CAM DRIVE	1	
20	25671-01011	STOPPER, GEAR SHIFT ARM	1	
21	09160-14016	WASHER (14X29X0.8)	1	
22	09181-14167	WASHER (14X22X1)	2	
23	09283-14005	SEAL (14X22X6)	1	
24	09440-17009	SPRING	1	
25	09444-20001	SPRING	1	
26	08331-3114A	CIRCLIP	3	
27	25520-27G00	ARM, GEAR SHIFT LINK	1	
28	25526-47000	·COVER, DUST	1	
29	25525-27G00	ROD, GEAR SHIFT	1	
30	25600-11J00	LEVER ASSY, GEAR SHIFT	1	
31	25526-47000	·COVER, DUST	1	
32	25652-20C00	·RUBBER, GEAR SHIFT PEDAL	1	
33	25617-03F10	SHAFT, GEAR SHIFT LEVER	1	
34	09140-06025	NUT	1	

FIG.23

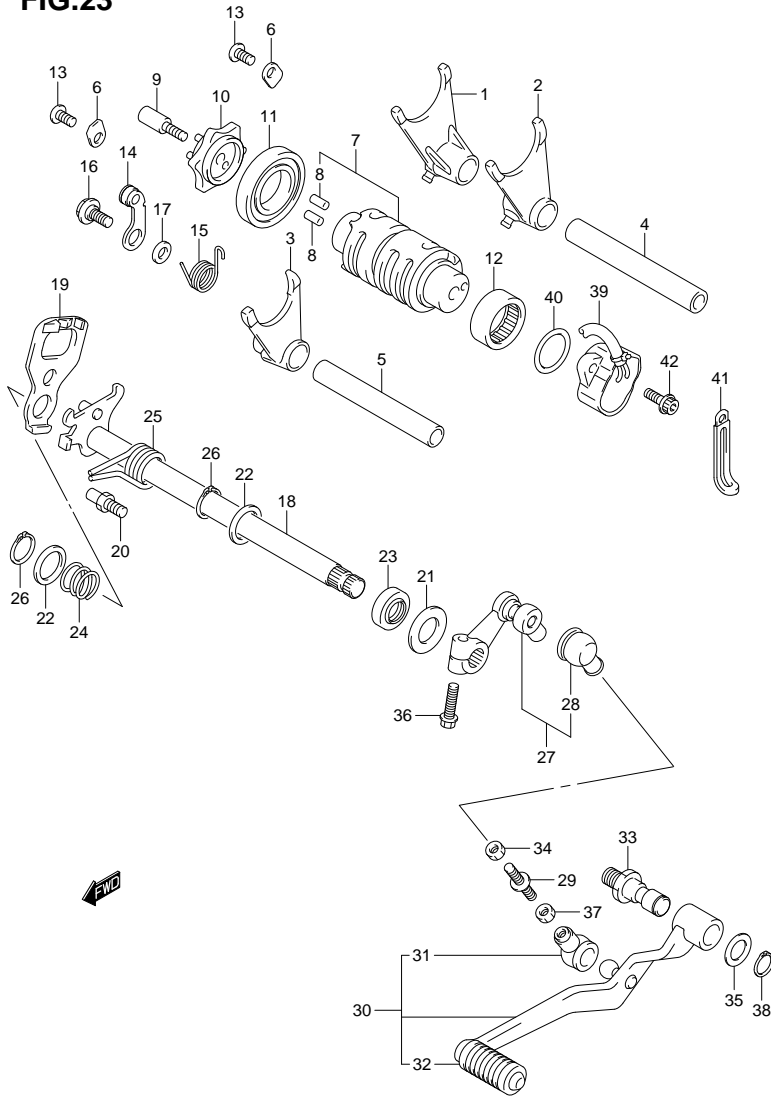


FIG. 23 (1-C-14) GEAR SHIFTING

REF NO.	PART NO.	DESCRIPTION	Q' TY	REMARKS
35	09160-12011	WASHER (12.5X20X1)	1	
36	01547-0620A	BOLT	1	
37	08310-00067	NUT	1	
38	08331-3112A	CIRCLIP	1	
39	37730-44H01	SENSOR ASSY, GEAR POSITION	1	
40	09280-26005	O RING (D:2.4,ID:26.2)	1	
41	09404-08419	CLAMP (L:80)	1	
42	07120-0516A	BOLT	2	

FIG.24

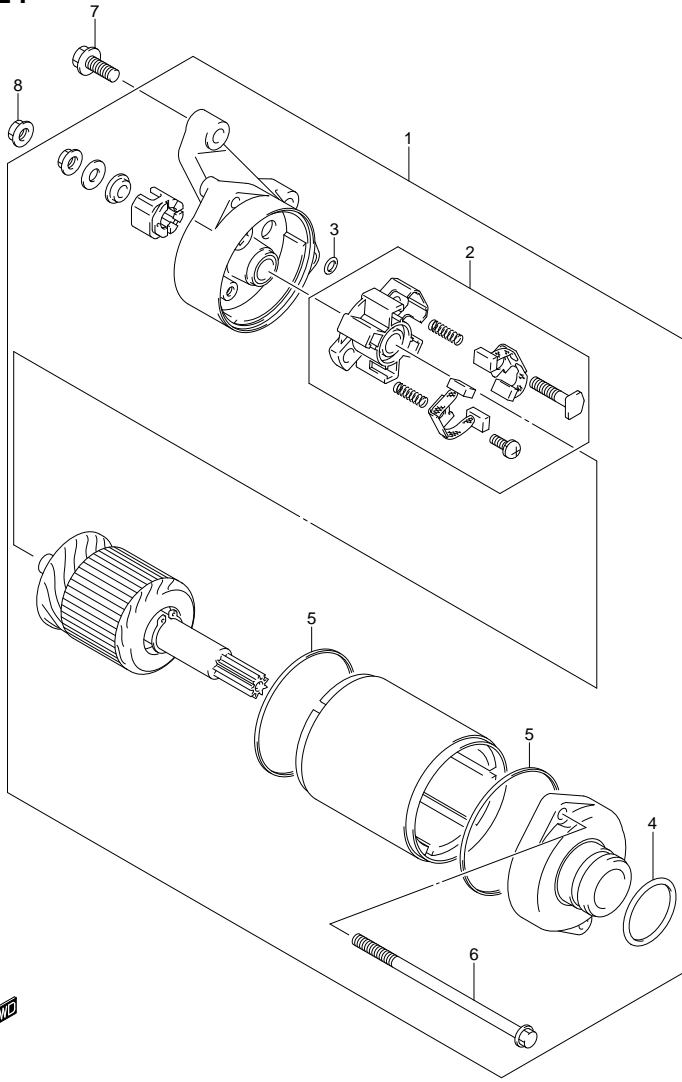


FIG. 24 (1-C-15) STARTING MOTOR

REF NO.	PART NO.	DESCRIPTION	Q' TY	REMARKS
1	31100-19F10	MOTOR ASSY. STARTING	1	
2	31132-18H00	·BRUSH HOLDER SET	1	
3	31143-49040	·O-RING	1	
4	31156-98E00	·O-RING	1	
5	31264-38F10	·SQUARE RING	2	
6	31280-19F10	·SET BOLT	2	
7	09103-06212	BOLT (6X25)	2	
8	08361-3506A	NUT	1	

FIG.25

FIG. 25 (1-D-2) MAGNETO

REF NO.	PART NO.	DESCRIPTION	Q' TY	REMARKS
1	32101-17G10	STATOR ASSY	1	
2	32102-17G10	ROTOR ASSY	1	
3	32371-19F10	CLAMP, MAGNETO LEAD	1	
4	09103-12004	BOLT (12X40)	1	
5	09160-12036	WASHER (12X30X3)	1	
6	07130-0512A	BOLT	2	
7	07130-0635A	BOLT	3	
8	09420-04008	KEY	1	

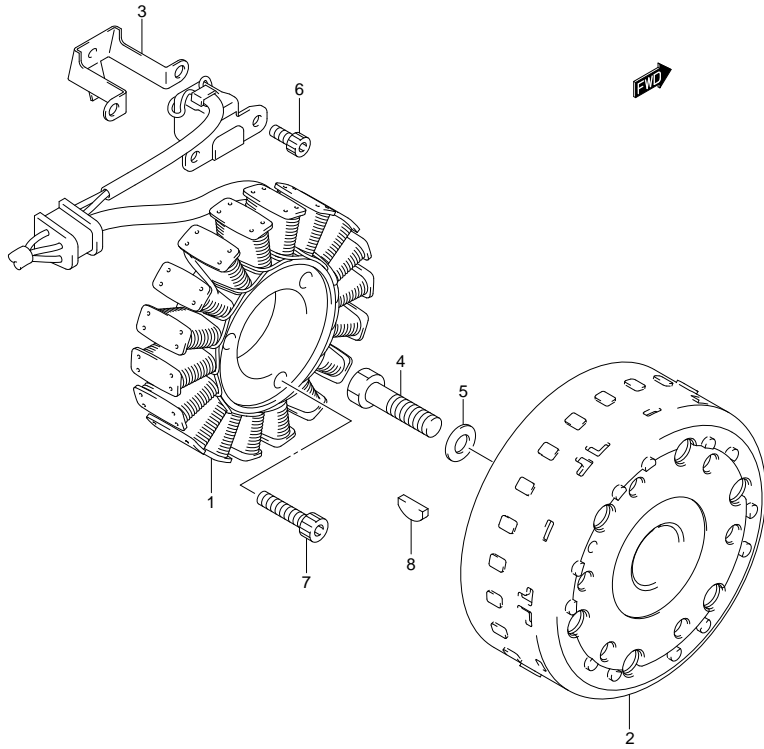


FIG.26

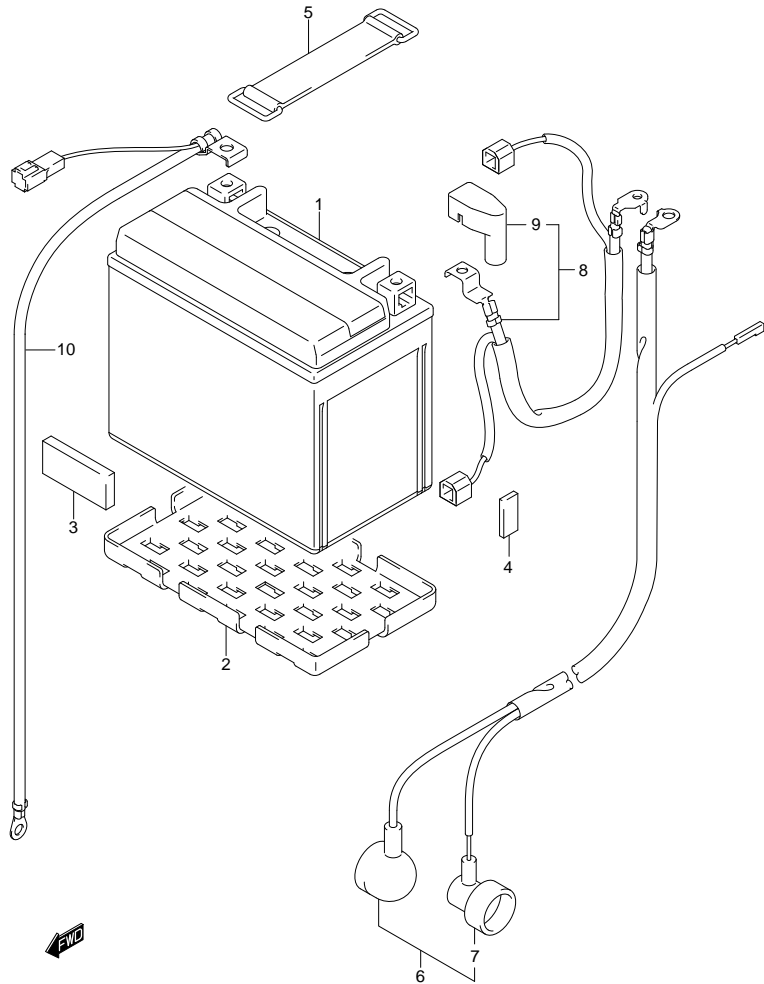


FIG.26 (1-D-3) BATTERY

REF. NO.	PART NO.	DESCRIPTION	Q'TY	REMARKS
1	33610-48E20	BATTERY ASSY	1	FTX12-BS,12V,10AH
2	33652-16G00	PROTECTOR, BATTERY	1	
3	33652-08420	PROTECTOR (70X100X6)	1	CUT AS REQUIRED
4	44543-10G00	PROTECTOR (20X40X3.0)	1	CUT AS REQUIRED
5	09462-00007	BAND	1	
6	33810-27G20	WIRE, STARTER MOTOR LEAD	1	
7	36618-43410	·CAP, STARTER MOTOR LEAD	1	
8	33820-27G10	WIRE, BATTERY (+)LEAD	1	
9	33624-27G00	·CAP, BATTERY (+)	1	
10	33860-27G10	WIRE, BATTERY (-)LEAD	1	

FIG.27

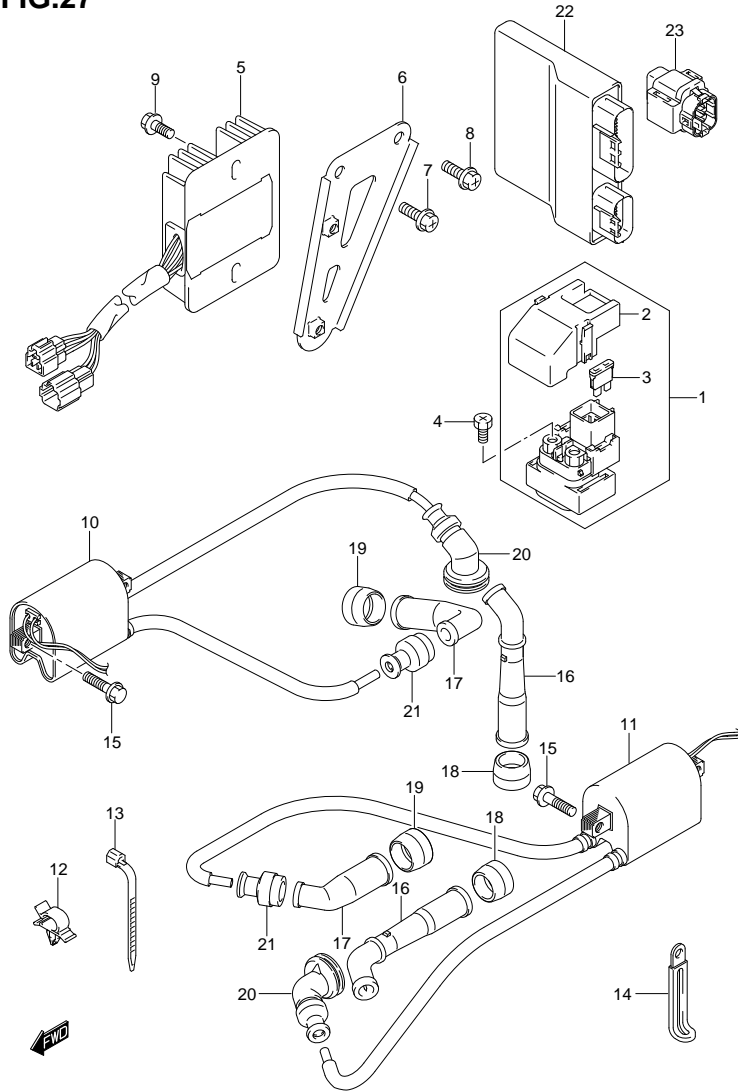


FIG. 27 (1-D-4) ELECTRICAL (DL650AL2 E28)

REF NO.	PART NO.	DESCRIPTION	Q'TY	REMARKS
1	31800-06G00	RELAY ASSY, STARTING MOTOR	1	
2	31861-47E00	COVER, RELAY ASSY	1	
3	09481-30101	FUSE (30A)	2	
4	09128-06013	SCREW (6X8)	2	
5	32800-47H10	RECTIFIER ASSY	1	
6	32830-11J00	BRACKET, RECTIFIER	1	
7	02162-0616A	BOLT	1	
8	02162-0610A	BOLT	1	
9	02162-0616A	BOLT	2	
10	33410-27G00	COIL ASSY, IGNITION	1	
11	33420-27G00	COIL ASSY, IGNITION	1	
12	09403-10319	CLAMP	1	
13	09407-18402	CLAMP (L:165)	1	
14	09404-06429	CLAMP (L:45)	1	
15	01547-0625A	BOLT	4	
16	33510-17G00	CAP, SPARK PLUG	2	FOR CENTER
17	33510-20E00	CAP, SPARK PLUG	2	FOR SIDE
18	33541-23E10	SEAL, SPARK PLUG CAP	2	FOR CENTER
19	33541-47D00	SEAL, SPARK PLUG CAP	2	FOR SIDE
20	33542-17G01	SEAL, HIGH TENSION CORD	2	FOR CENTER
21	33542-38B00	SEAL, HIGH TENSION CORD	2	FOR SIDE
22	32920-11J10	CONTROL UNIT, FI	1	
23	33960-27G00	SENSOR ASSY, FUEL CUT	1	

FIG.28

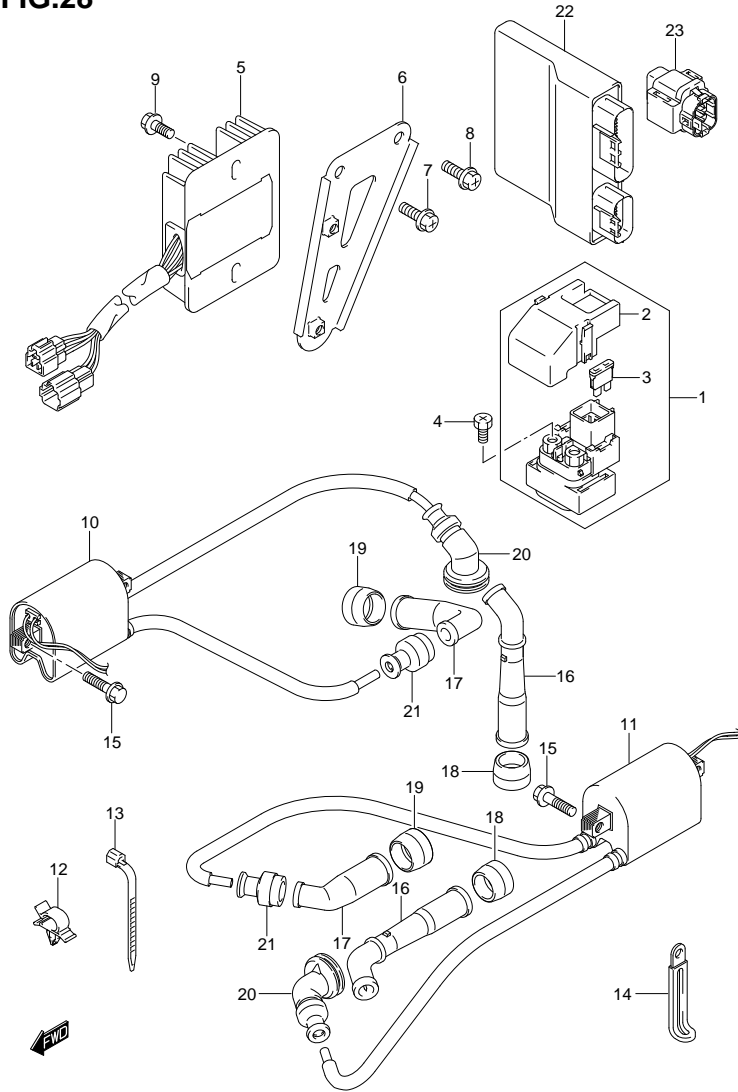


FIG. 28 (1-D-5) ELECTRICAL (DL650AL2 E33)

REF NO.	PART NO.	DESCRIPTION	Q'TY	REMARKS
1	31800-06G00	RELAY ASSY, STARTING MOTOR	1	
2	31861-47E00	COVER, RELAY ASSY	1	
3	09481-30101	FUSE (30A)	2	
4	09128-06013	SCREW (6X8)	2	
5	32800-47H10	RECTIFIER ASSY	1	
6	32830-11J00	BRACKET, RECTIFIER	1	
7	02162-0616A	BOLT	1	
8	02162-0610A	BOLT	1	
9	02162-0616A	BOLT	2	
10	33410-27G00	COIL ASSY, IGNITION	1	
11	33420-27G00	COIL ASSY, IGNITION	1	
12	09403-10319	CLAMP	1	
13	09407-18402	CLAMP (L:165)	1	
14	09404-06429	CLAMP (L:45)	1	
15	01547-0625A	BOLT	4	
16	33510-17G00	CAP, SPARK PLUG	2	FOR CENTER
17	33510-20E00	CAP, SPARK PLUG	2	FOR SIDE
18	33541-23E10	SEAL, SPARK PLUG CAP	2	FOR CENTER
19	33541-47D00	SEAL, SPARK PLUG CAP	2	FOR SIDE
20	33542-17G01	SEAL, HIGH TENSION CORD	2	FOR CENTER
21	33542-38B00	SEAL, HIGH TENSION CORD	2	FOR SIDE
22	32920-11J20	CONTROL UNIT, FI	1	
23	33960-27G00	SENSOR ASSY, FUEL CUT	1	

FIG.29

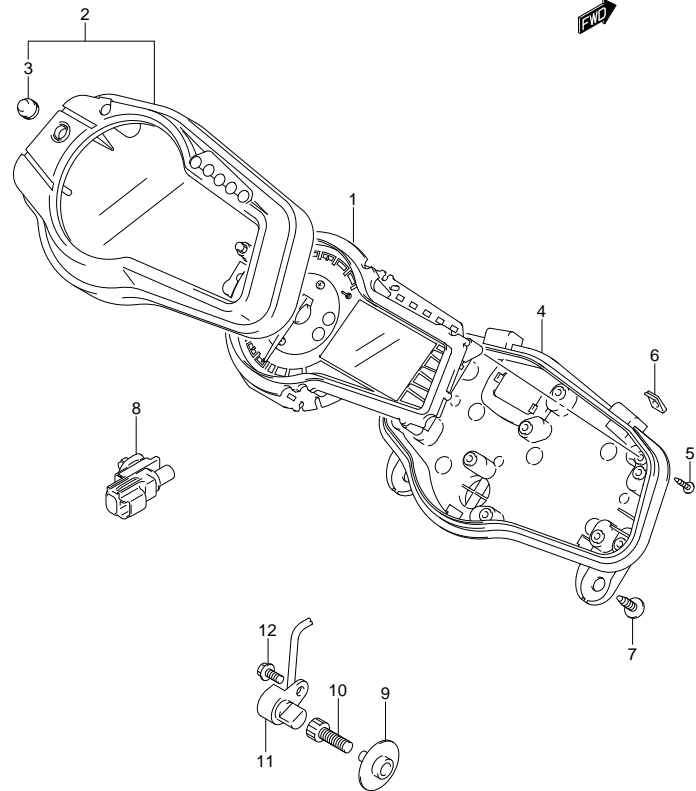


FIG. 29 (1-D-6) SPEEDOMETER (DL650AL2 E28)

REF NO.	PART NO.	DESCRIPTION	Q'TY	REMARKS
1	34120-11J00	SPEEDOMETER	1	
2	34150-11J00	CASE, UPPER	1	
3	34124-38G00	RUBBER, SWITCH	1	
4	34111-11J00	CASE, LOWER	1	
5	09132-03008	SCREW (3X16)	11	
6	09148-05052	NUT	2	
7	03541-0516A	SCREW	2	
8	95643-58J00	SENSOR, AMBIENT AIR TEMP	1	
9	34981-38G01	ROTOR, SPEED	1	
10	07130-0825B	BOLT	1	
11	34990-35F00	SENSOR, SPEED	1	
12	07120-0512B	BOLT	1	

FIG.30

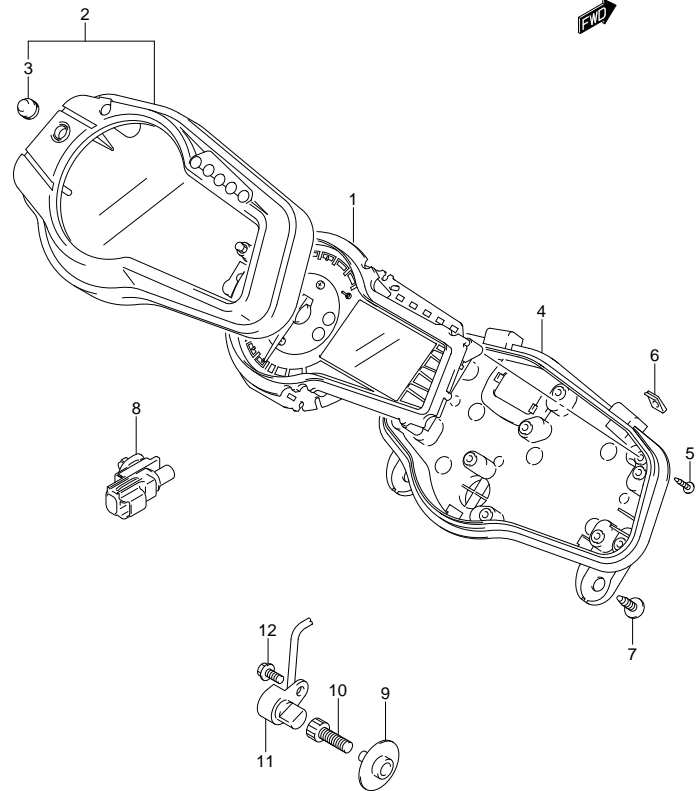


FIG. 30 (1-D-7) SPEEDOMETER (DL650AL2 E33)

REF NO.	PART NO.	DESCRIPTION	Q'TY	REMARKS
1	34120-11J10	SPEEDOMETER	1	
2	34150-11J00	CASE, UPPER	1	
3	34124-38G00	RUBBER, SWITCH	1	
4	34111-11J00	CASE, LOWER	1	
5	09132-03008	SCREW (3X16)	11	
6	09148-05052	NUT	2	
7	03541-0516A	SCREW	2	
8	95643-58J00	SENSOR, AMBIENT AIR TEMP	1	
9	34981-38G01	ROTOR, SPEED	1	
10	07130-0825B	BOLT	1	
11	34990-35F00	SENSOR, SPEED	1	
12	07120-0512B	BOLT	1	

FIG.31

FIG. 31 (1-D-8) HEADLAMP

REF NO.	PART NO.	DESCRIPTION	Q' TY	REMARKS
1	09136-05062	SCREW (5X15)	7	
2	35100-11J00-999	HEADLAMP ASSY	1	
3	35118-68K00	·SOCKET, POSITION LAMP	2	
4	35179-58J00	·COVER, SOCKET	2	
5	44572-02F01	·FASTENER	1	
6	44572-37H00	·FASTENER, COWLING	2	
7	09320-08028	·CUSHION	2	
8	09320-09039	·CUSHION	7	
9	09471-12182	BULB (12V60/55W,H4)	2	
10	09471-12216	BULB (12V5W)	2	
11	35950-14A11	REFLEX REFLECTOR ASSY, FR SIDE	2	
12	09119-05023	BOLT (5X10)	2	
13	08322-0105A	WASHER	2	

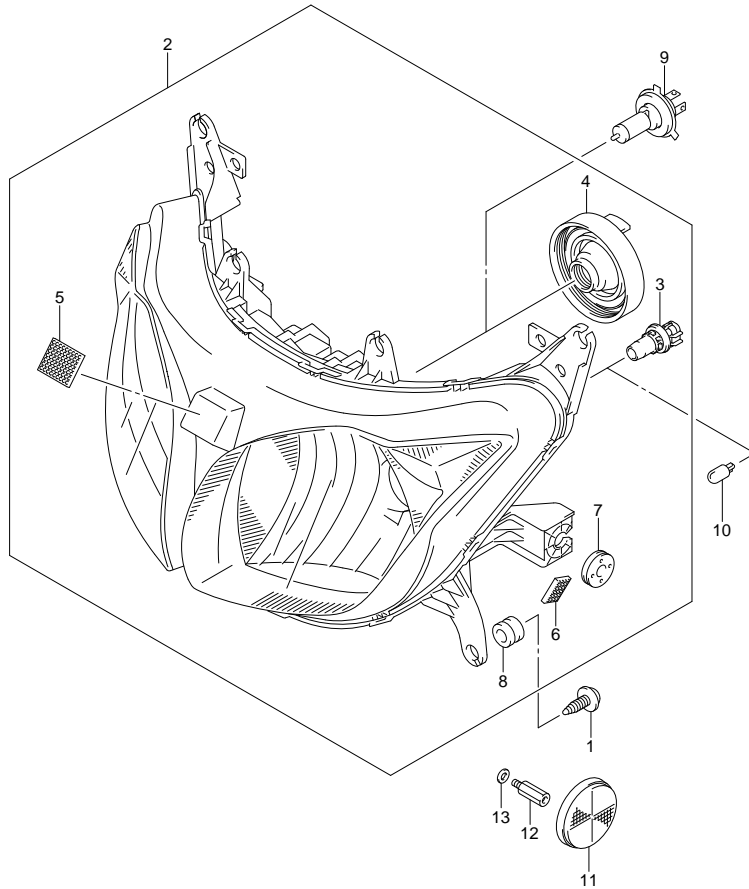


FIG.32

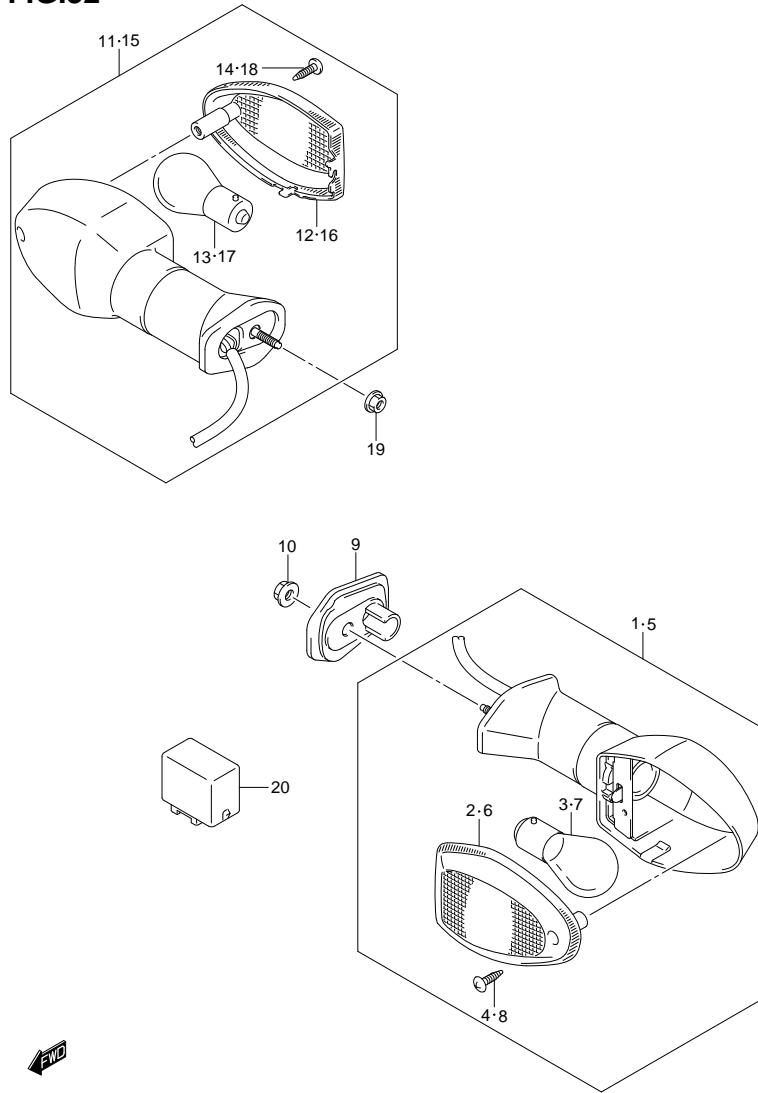


FIG. 32 (1-D-9) TURNSIGNAL LAMP

REF NO.	PART NO.	DESCRIPTION	Q'TY	REMARKS
1	35601-08J00	LAMP ASSY, FR TURNSIGNAL RH	1	
2	35612-08J00	·LENS	1	
3	09471-12045	·BULB (12V,21W)	1	
4	03211-0414B	·SCREW	1	
5	35602-08J00	LAMP ASSY, FR TURNSIGNAL LH	1	
6	35632-08J00	·LENS	1	
7	09471-12045	·BULB (12V,21W)	1	
8	03211-0414B	·SCREW	1	
9	35629-18G00	PLATE, FR TURNSIGNAL	2	
10	08316-1005A	NUT	2	
11	35603-08J10	LAMP ASSY, RR TURNSIGNAL RH	1	
12	35632-08J00	·LENS	1	
13	09471-12045	·BULB (12V,21W)	1	
14	03211-0414B	·SCREW	1	
15	35604-08J10	LAMP ASSY, RR TURNSIGNAL LH	1	
16	35612-08J00	·LENS	1	
17	09471-12045	·BULB (12V,21W)	1	
18	03211-0414B	·SCREW	1	
19	08319-3105A	NUT	2	
20	38610-03F00	RELAY ASSY, TURN	1	

FIG.33

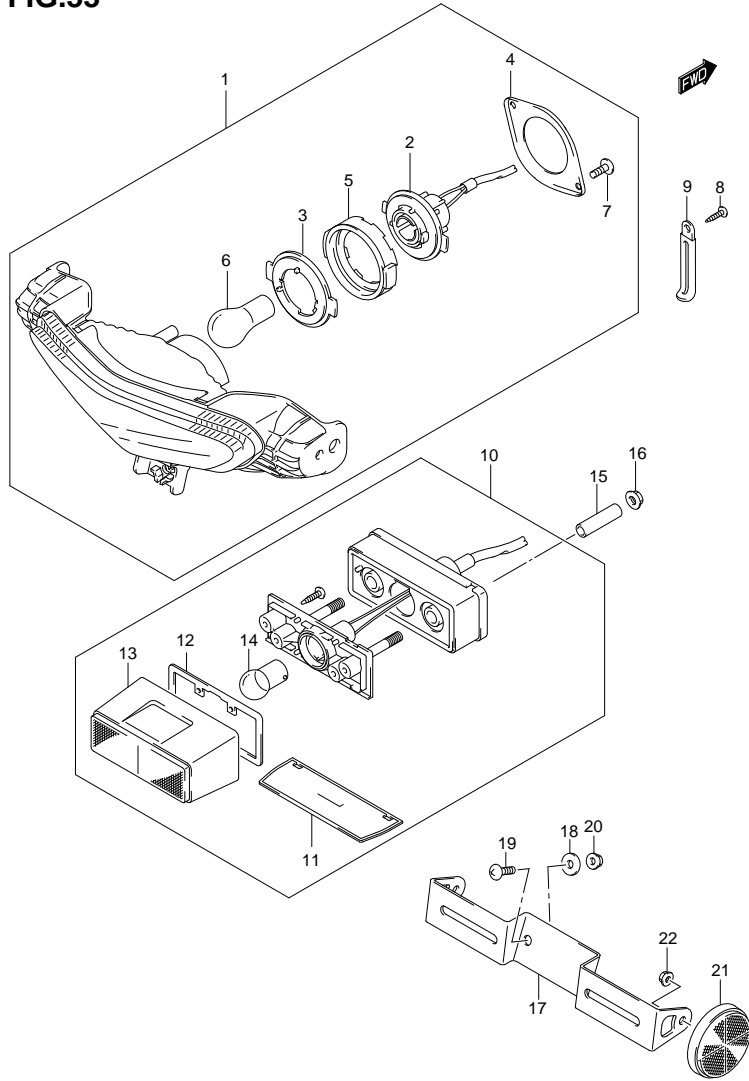
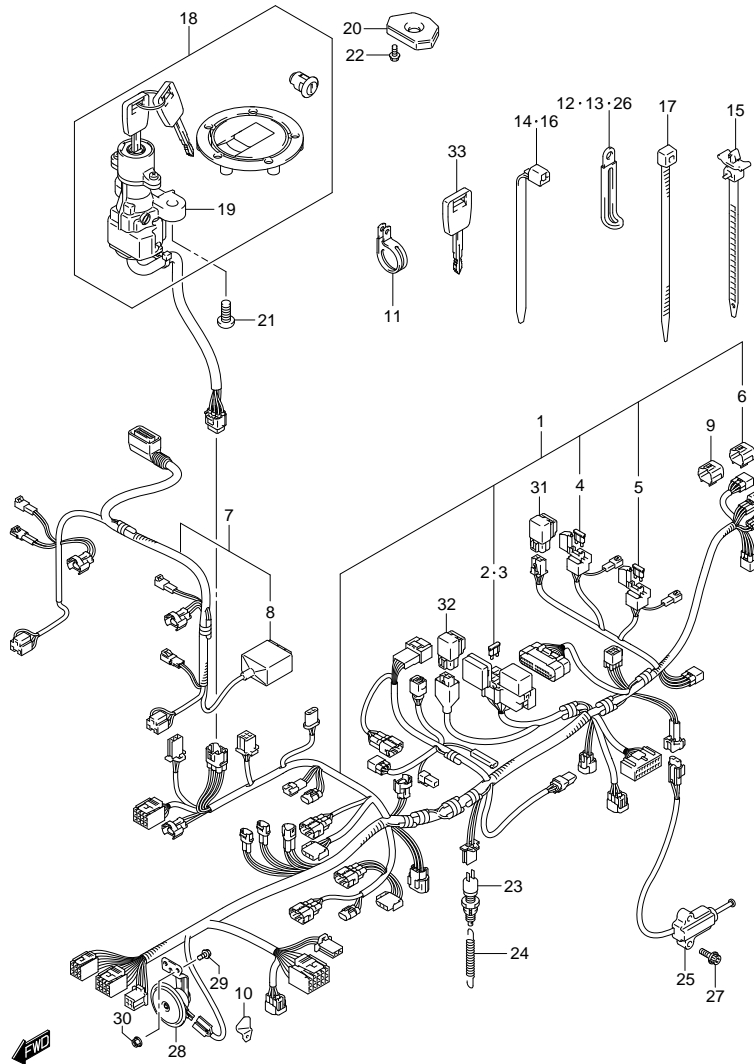


FIG. 33 (1-D-10) REAR COMBINATION LAMP

REF NO.	PART NO.	DESCRIPTION	Q'TY	REMARKS
1	35710-11J00	LAMP ASSY, REAR COMBINATION	1	
2	35718-11J00	·SOCKET & CORD	1	
3	35716-48B21	·PLATE, NO.1	1	
4	35736-48B21	·PLATE, NO.2	1	
5	35765-42E00	·CUSHION	1	
6	09471-12083	·BULB (12V,21/5W)	1	
7	03211-0412A	·SCREW	2	
8	03541-0616A	SCREW	1	
9	09404-06429	CLAMP (L:45)	1	
10	35910-41G31	LAMP ASSY, LICENSE	1	
11	35912-41G01	·LENS	1	
12	35913-41G00	·GASKET	1	
13	35917-41G00	·COVER	1	
14	09471-12140	·BULB (12V5W)	1	
15	09180-06278	SPACER (6.5X9X33.3)	2	
16	09159-06096	NUT	2	
17	35927-14J30	BRACKET, LICENSE PLATE	1	
18	09160-06077	WASHER (6.5X20X1.2)	2	
19	02142-0616A	SCREW	2	
20	08316-1006A	NUT	2	
21	35970-14A20	REFLECTOR ASSY,REAR SIDE	2	
22	08316-1005A	NUT	2	

FIG.34



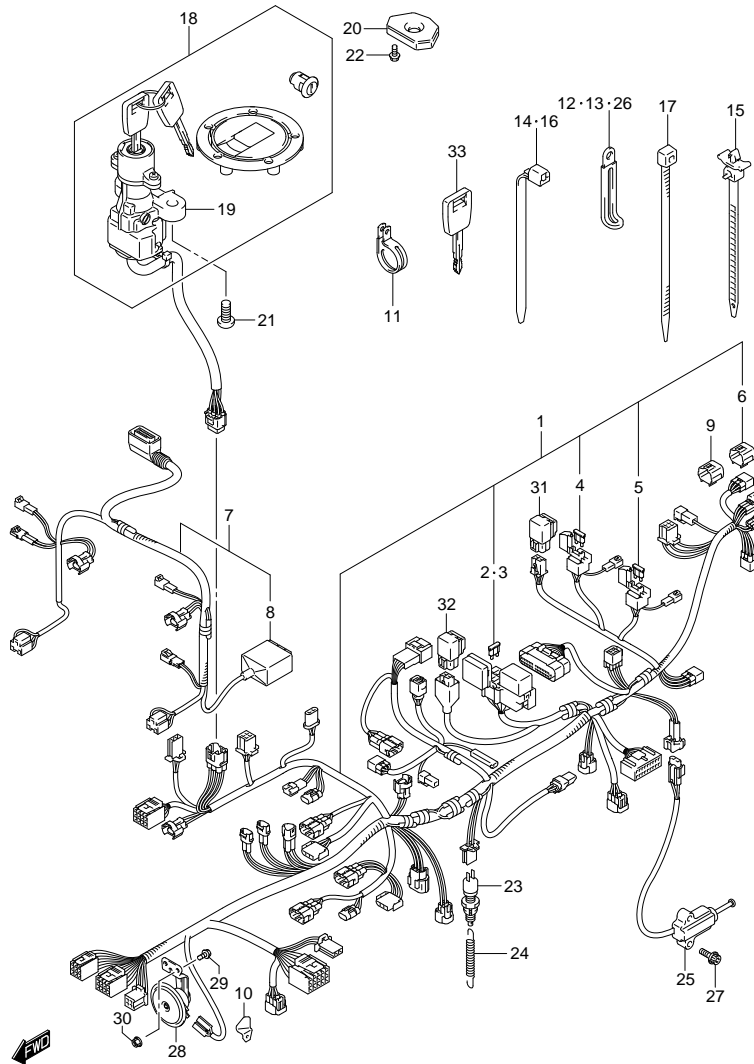
DL650AL2 E28 E33_034
WIRING HARNESS

FIG. 34 (1-D-11) WIRING HARNESS (DL 650AL2 E28)

REF NO.	PART NO.	DESCRIPTION	Q'TY	REMARKS
1	36610-11J80	HARNESS, WIRING	1	
2	09481-10501	·FUSE (10A)	2	
3	09481-15501	·FUSE (15A)	4	
4	09481-15101	·FUSE (15A)	2	
5	09481-25103	·FUSE (25A)	2	
6	36654-06J10	·CAP. CO ADJ	1	
7	36620-11J00	HARNESS, WIRING NO.2	1	
8	36618-47H00	·CAP	1	
9	36654-06J00	CAP. TS	1	
10	36711-11J00	GUIDE, WIRING HARNESS	1	
11	09403-26401	CLAMP	1	
12	09404-06429	CLAMP (L:45)	1	
13	09404-06433	CLAMP (L:80)	1	
14	09407-14403	CLAMP (L:125)	2	
15	09407-14408	CLAMP (L:120)	1	
16	09407-18402	CLAMP (L:165)	1	
17	09407-14407	CLAMP (L:145)	2	
18	37000-11850	LOCK SET	1	
19	37100-11J10	·LOCK ASSY, STEERING	1	
20	37180-15H00	COVER, STEERING LOCK	1	
21	09139-08016	BOLT (8X20)	2	
22	01547-0512B	BOLT	2	
23	37740-45D00	SWITCH ASSY, STOP LAMP	1	
24	09443-06012	SPRING	1	
25	37840-06G00	SWITCH ASSY, SIDE STAND	1	
26	09404-06429	CLAMP (L:45)	1	
27	01550-0616B	BOLT	2	
28	38500-11J00	HORN ASSY	1	
29	09118-06017	BOLT (6X16)	2	
30	08316-1006B	NUT	2	
31	38740-24X50	RELAY ASSY, FUEL PUMP	1	
32	38740-24X50	RELAY ASSY, FAN MOTOR	1	
33	37146-11J00	KEY, BLANK	1	OPT

DL650AL2 E28 E33

FIG.35



DL650AL2 E28 E33_035
WIRING HARNESS

FIG. 35 (1-D-12) WIRING HARNESS (DL 650AL2 E33)

REF NO.	PART NO.	DESCRIPTION	Q'TY	REMARKS
1	36610-11J90	HARNESS, WIRING	1	
2	09481-10501	·FUSE (10A)	2	
3	09481-15501	·FUSE (15A)	4	
4	09481-15101	·FUSE (15A)	2	
5	09481-25103	·FUSE (25A)	2	
6	36654-06J10	·CAP. CO ADJ	1	
7	36620-11J00	HARNESS, WIRING NO.2	1	
8	36618-47H00	·CAP	1	
9	36654-06J00	CAP. TS	1	
10	36711-11J00	GUIDE, WIRING HARNESS	1	
11	09403-26401	CLAMP	1	
12	09404-06429	CLAMP (L:45)	1	
13	09404-06433	CLAMP (L:80)	1	
14	09407-14403	CLAMP (L:125)	2	
15	09407-14408	CLAMP (L:120)	1	
16	09407-18402	CLAMP (L:165)	1	
17	09407-14407	CLAMP (L:145)	2	
18	37000-11860	LOCK SET	1	
19	37100-11J10	·LOCK ASSY, STEERING	1	
20	37180-15H00	COVER, STEERING LOCK	1	
21	09139-08016	BOLT (8X20)	2	
22	01547-0512B	BOLT	2	
23	37740-45D00	SWITCH ASSY, STOP LAMP	1	
24	09443-06012	SPRING	1	
25	37840-06G00	SWITCH ASSY, SIDE STAND	1	
26	09404-06429	CLAMP (L:45)	1	
27	01550-0616B	BOLT	2	
28	38500-11J00	HORN ASSY	1	
29	09118-06017	BOLT (6X16)	1	
30	08316-1006B	NUT	2	
31	38740-24X50	RELAY ASSY, FUEL PUMP	1	
32	38740-24X50	RELAY ASSY, FAN MOTOR	1	
33	37146-11J00	KEY, BLANK	1	OPT

DL650AL2 E28 E33

FIG.36

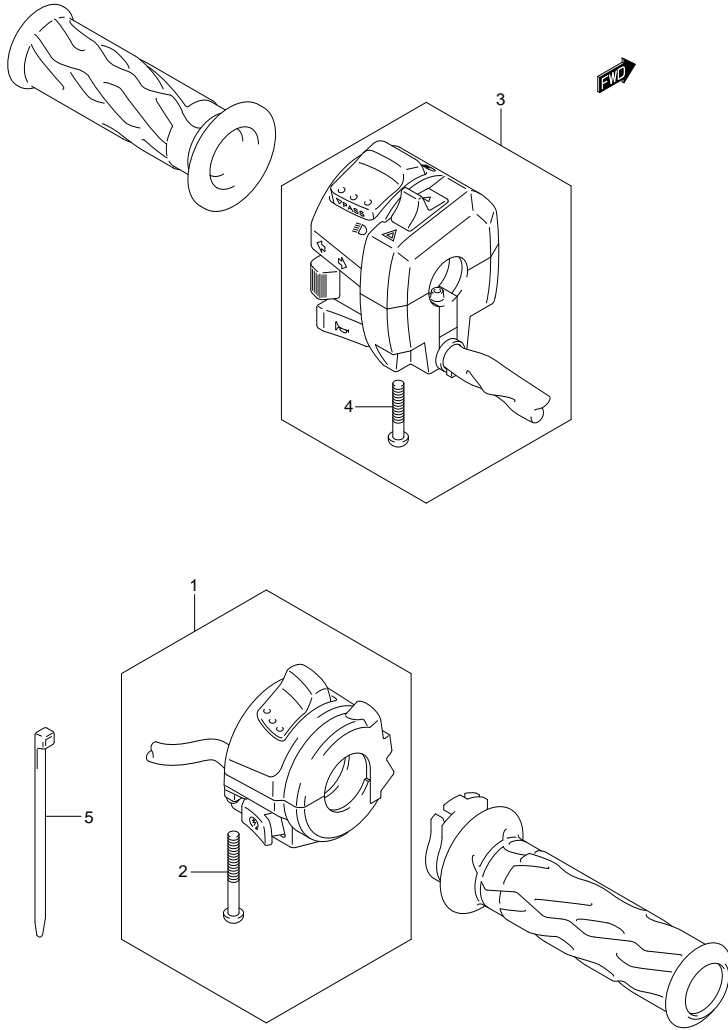


FIG.36 (1-D-13) HANDLE SWITCH

REF NO.	PART NO.	DESCRIPTION	Q'TY	REMARKS
1	37200-11J00	SWITCH ASSY, HANDLE RH	1	
2	02112-0530B	·SCREW	2	
3	37400-11J00	SWITCH ASSY, HANDLE LH	1	
4	02112-0535B	·SCREW	2	
5	09407-14407	CLAMP (L:145)	2	

FIG.37

FIG. 37 (1-D-14) FRAME

REF NO.	PART NO.	DESCRIPTION	QTY	REMARKS
1	41100-27G20-YAP	FRAME (BLACK)	1	
2	41200-11J00	RAIL, SEAT	1	
3	09103-10379	BOLT (10X30)	4	
4	41911-06G90-YAP	BRACKET, MOUNT RH (BLACK)	1	
5	41912-06G90-YAP	BRACKET, MOUNT LH (BLACK)	1	
6	09106-08121	BOLT (8X30)	8	
7	41923-16G00	BOLT, ADJUSTER CENTER	1	
8	41922-19F20	NUT, ADJUSTER CENTER	1	
9	41921-16G00	BOLT, ADJUSTER LOWER	1	
10	41922-33E20	NUT, ADJUSTER LOWER	1	
11	41941-19F01	SPACER, ADJUSTER UPPER	1	
12	09106-08168	BOLT (8X38)	1	
13	43585-27G10	COVER, PIVOT RH	1	
14	43595-27G00	COVER, PIVOT LH	1	
15	09251-04003	CUSHION	2	

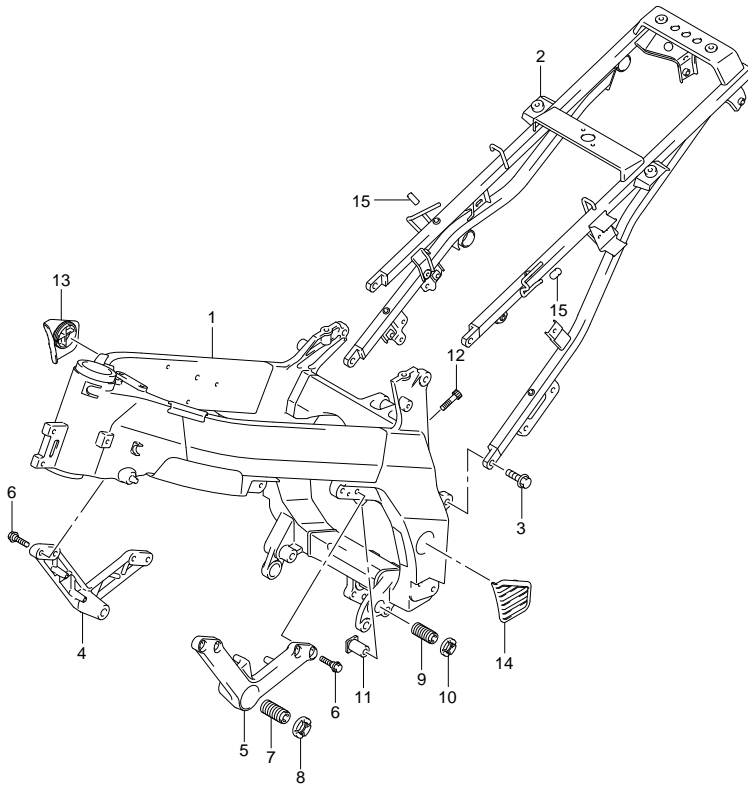


FIG.38

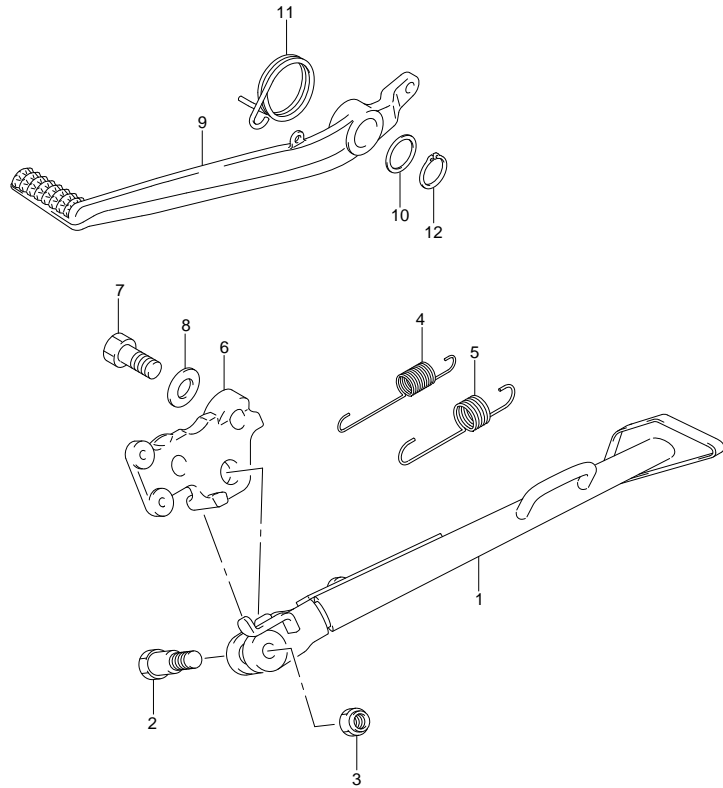


FIG. 38 (1-D-15) STAND

REF NO.	PART NO.	DESCRIPTION	QTY	REMARKS
1	42310-06G60	STAND, PROP	1	
2	09111-10058	BOLT (10X37.5)	1	
3	42321-03FK0	NUT	1	
4	09443-14058	SPRING	1	INNER
5	09443-19011	SPRING	1	OUTER
6	42330-06G60	BRACKET, PROP STAND	1	
7	09100-12084	BOLT (12X30)	2	
8	09160-12061	WASHER (12.5X24X2.6)	2	
9	43111-27G00	PEDAL, BRAKE	1	
10	09160-18022	WASHER (18X24X1)	1	
11	09448-41005	SPRING	1	
12	08331-3118A	CLIP	1	

FIG.39

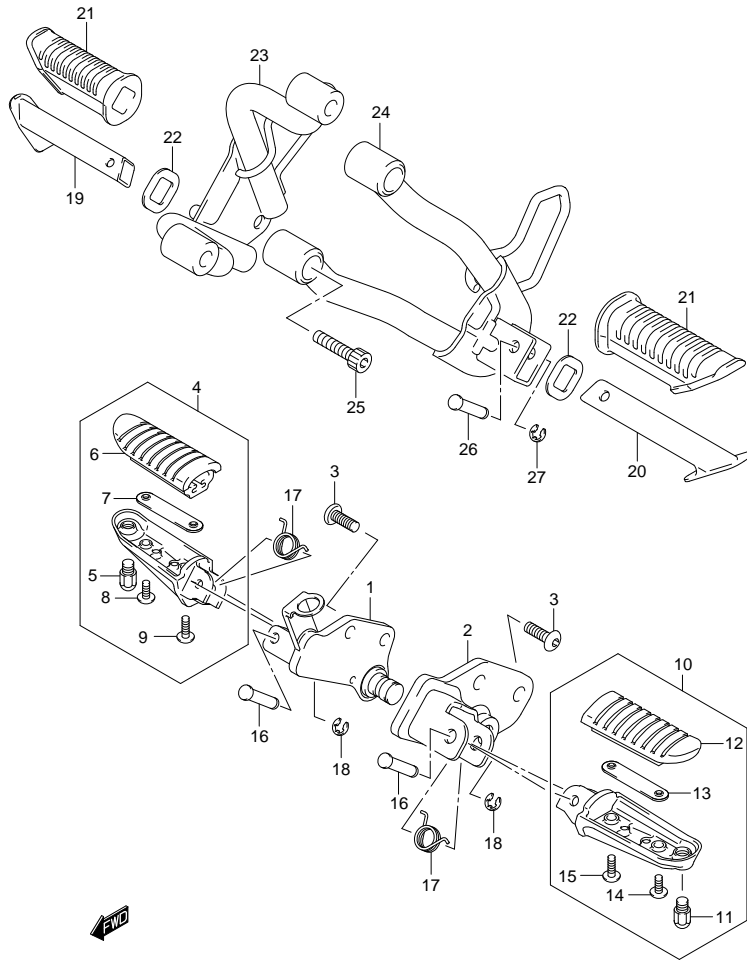


FIG. 39 (1-E-2) FOOTREST

REF NO.	PART NO.	DESCRIPTION	Q' TY	REMARKS
1	43510-27G01-YAP	BRACKET, FRONT RH (BLACK)	1	
2	43520-27G01-YAP	BRACKET, FRONT LH (BLACK)	1	
3	09106-08150	BOLT (8X23)	4	
4	43501-06G01	FOOTREST ASSY, FRONT RH	1	
5	43576-07D01	·SENSOR, FOOTREST	1	
6	43551-06G00	·RUBBER	1	
7	43552-06G00	·PLATE	1	
8	02142-0516B	·SCREW	1	OUTER
9	02142-0520B	·SCREW	1	INNER
10	43502-06G01	FOOTREST ASSY, FRONT LH	1	
11	43576-07D01	·SENSOR, FOOTREST	1	
12	43551-06G00	·RUBBER	1	
13	43552-06G00	·PLATE	1	
14	02142-0516B	·SCREW	1	OUTER
15	02142-0520B	·SCREW	1	INNER
16	09208-08010	PIN (6X33.2)	2	
17	09448-18022	SPRING	2	
18	08332-1106A	E RING	2	
19	43610-34A00	BAR, PILLION FOOTREST RH	1	
20	43710-34A00	BAR, PILLION FOOTREST LH	1	
21	43612-33G00	RUBBER, PILLION FOOTREST	2	
22	43631-34A01	WASHER, FOOTREST RUBBER	2	
23	43810-27G10-YAP	BRACKET, PILLION RH (BLACK)	1	
24	43820-27G01-019	BRACKET, PILLION LH (BLACK)	1	
25	09106-08074	BOLT (8X40)	4	
26	09208-06008	PIN (6X29.5)	2	
27	08332-1104A	E RING	2	

FIG.40

FIG. 40 (1-E-3) CARRIER (DL650AL2 E28)

REF NO.	PART NO.	DESCRIPTION	Q' TY	REMARKS
1	46311-11J00-YKV	CARRIER, SPORT (BLACK)	1	
2	46321-11J00	MAT, CARRIER	1	
3	09103-08512	BOLT (8X35)	4	
4	09169-08049	WASHER	4	
5	68391-06G10	LABEL, CARRIER	1	

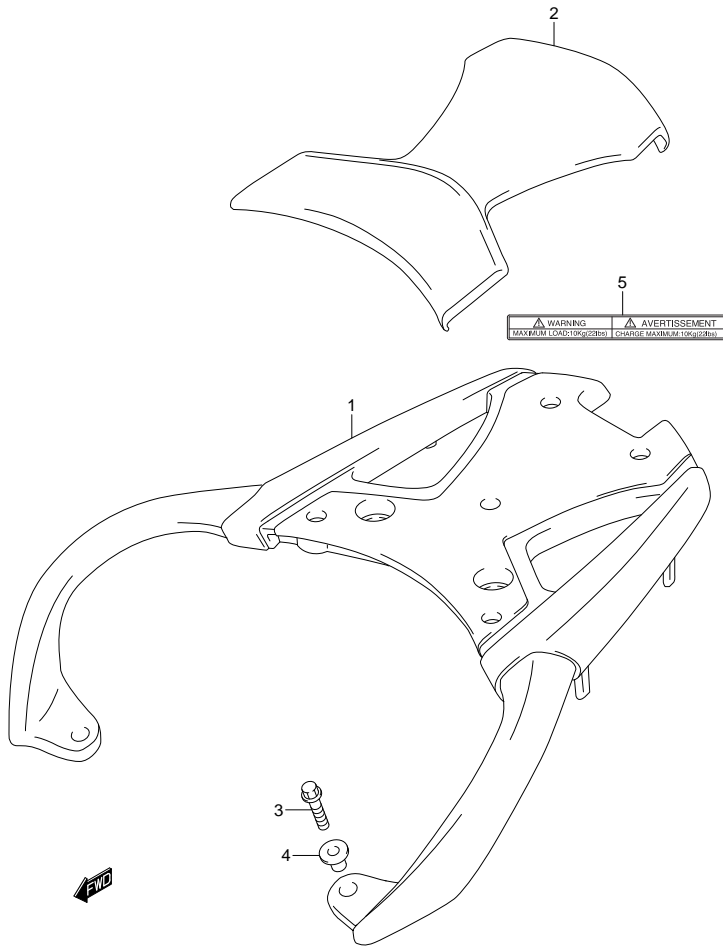


FIG.41

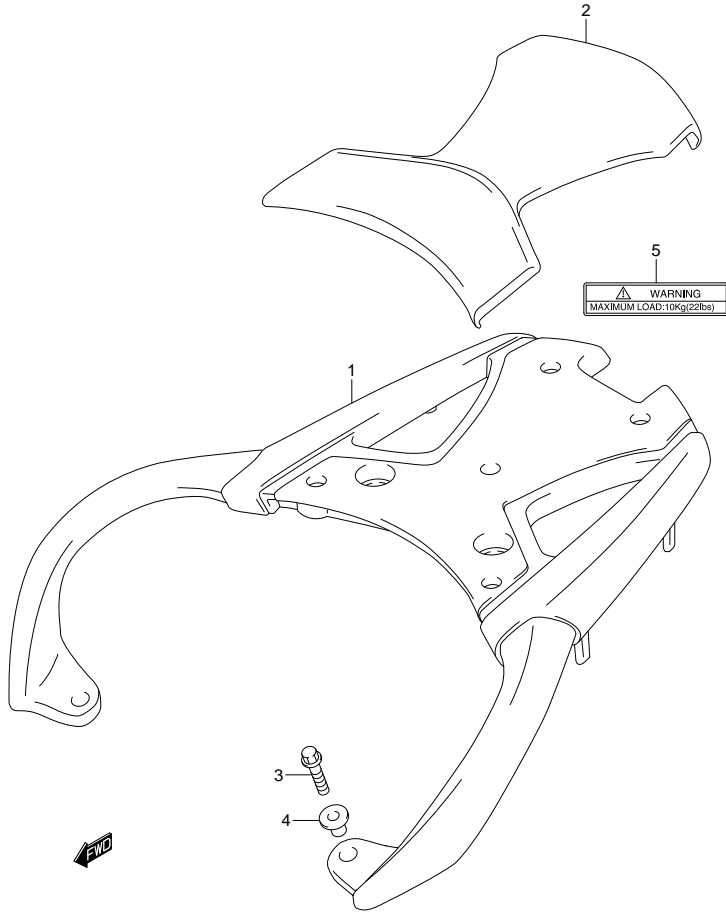


FIG. 41 (1-E-4) CARRIER (DL650AL2 E33)

REF NO.	PART NO.	DESCRIPTION	Q'TY	REMARKS
1	46311-11J00-YKV	CARRIER, SPORT (BLACK)	1	
2	46321-11J00	MAT, CARRIER	1	
3	09103-08512	BOLT (8X35)	4	
4	09169-08049	WASHER	4	
5	68391-06G00	LABEL, CARRIER	1	

FIG.42

FIG.42 (1-E-5) FUEL TANK (DL650AL2 E28)

REF NO.	PART NO.	DESCRIPTION	Q'TY	REMARKS
1	44100-11J00-YKV	TANK, FUEL (BLACK)	1	
2	44200-16850	CAP SET, FUEL TANK	1	
3	44244-11J00	BOLT, FUEL TANK FILLER CAP	3	
4	44541-11J00	CUSHION, SIDE	2	
5	44550-06G10	BRACKET, REAR LOWER	1	
6	01550-0816B	BOLT	2	
7	44545-06G00	CUSHION, LOWER	1	
8	44542-06G00	CUSHION, UPPER	1	
9	44530-06G00	BRACKET, UPPER	1	
10	01550-0835B	BOLT	1	
11	44572-44G00	FASTENER, FUEL TANK COVER	2	
12	44194-11J00	SHIELD, TANK CENTER	1	
13	44154-11J00	BRACKET, FRONT COVER	1	
14	09139-06192	SCREW (6X25)	2	
15	44511-16G00	CUSHION, FUEL TANK FRONT	2	
16	44512-16G00	WASHER, FUEL TANK FRONT	2	
17	44520-11J00	BRACKET, FUEL TANK FRONT	1	
18	01550-0620B	BOLT	3	
19	44560-11J00	BRACKET, FRONT SIDE	2	
20	44542-11J00	CUSHION, FRONT SIDE BRACKET	2	
21	01550-0612B	BOLT	2	
22	68241-11J00	MOLDING, FUEL TANK	2	
23	44179-11J00	BRACKET, FUEL TANK COVER RH	1	
24	44189-11J00	BRACKET, FUEL TANK COVER LH	1	
25	44572-13G00	FASTENER, FUEL TANK COVER	2	
26	44183-23H00	CUSHION, FUEL TANK COVER	2	
27	09329-18001	CUSHION	2	
28	07120-0612A	BOLT	2	
29	44423-11J00	HOSE, FUEL TANK DRAIN NO.1	1	
30	44423-11J10	HOSE, FUEL TANK DRAIN NO.2	1	
31	09407-18402	CLAMP (L:165)	1	
32	09367-08005	JOINT, WATER DRAIN	1	
33	44424-11J10	HOSE, FUEL TANK BREATHER NO.1	1	
34	44424-11J00	HOSE, FUEL TANK BREATHER NO.2	1	

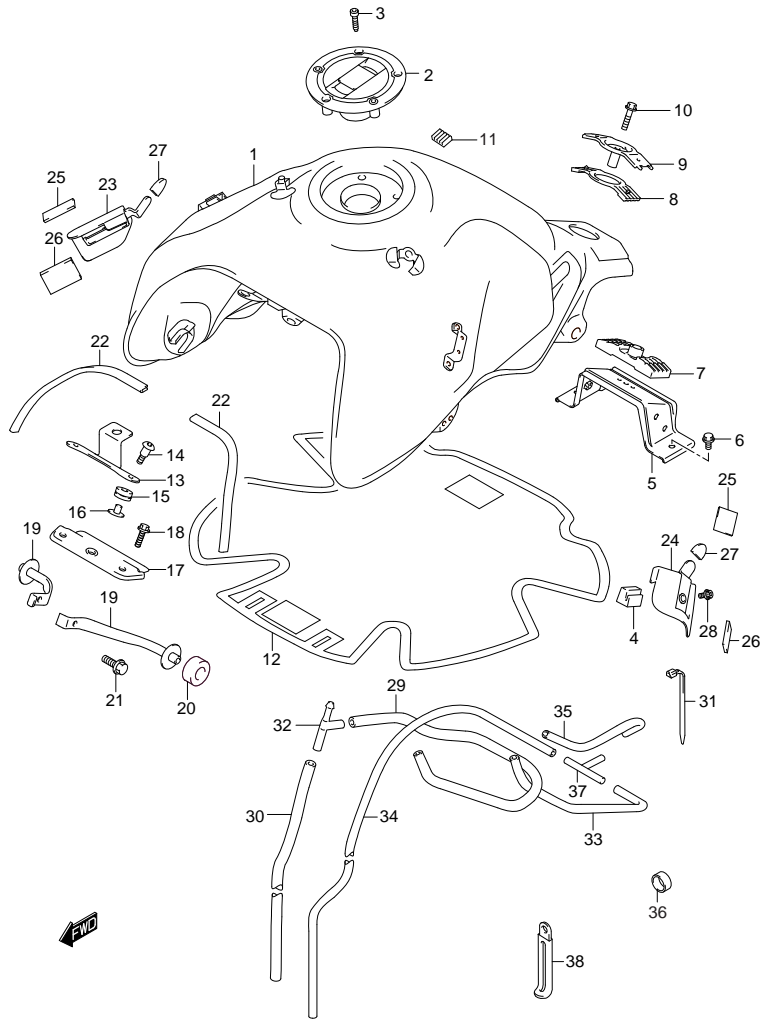


FIG.42

FIG.42 (1-E-6) FUEL TANK (DL650AL2 E28)

REF NO.	PART NO.	DESCRIPTION	Q' TY	REMARKS
35	44425-09E00	HOSE, FUEL TANK BREATHER NO.3	1	
36	09352-12163-600	HOSE	1	L:600->10
37	09367-06007	JOINT	1	
38	09404-06433	CLAMP (L:80)	1	

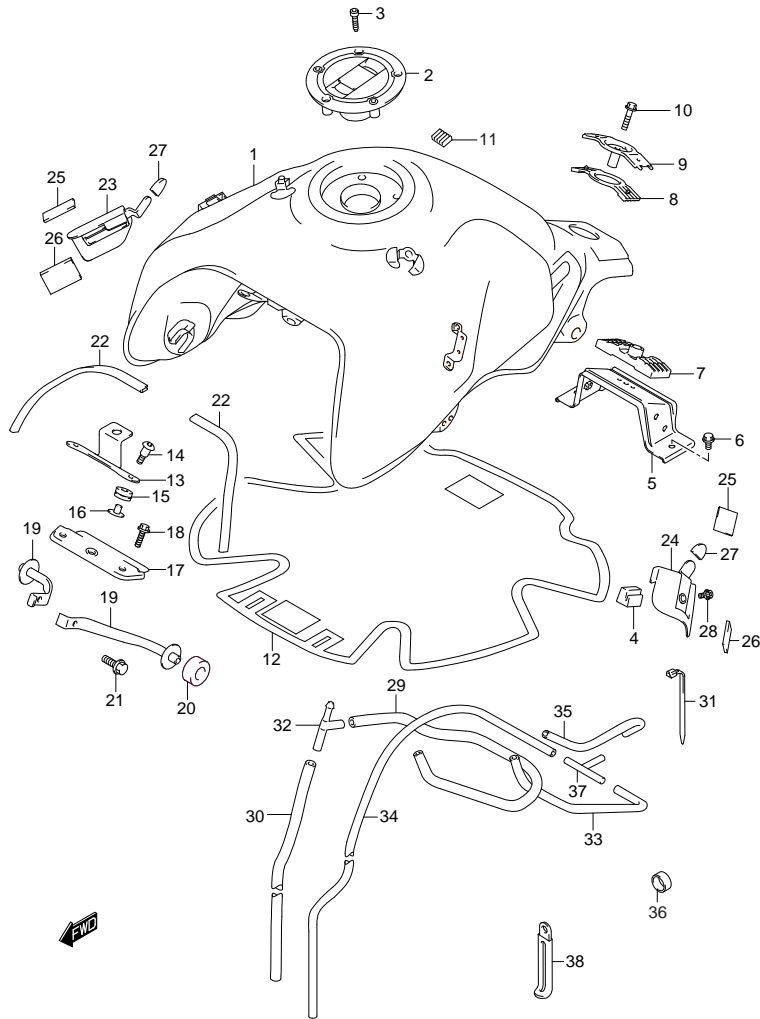


FIG.43

FIG. 43 (1-E-7) FUEL TANK (DL650AL2 E33)

REF NO.	PART NO.	DESCRIPTION	Q'TY	REMARKS
1	44100-11J20-YKV	TANK, FUEL (BLACK)	1	
2	44200-16870	CAP SET, FUEL TANK	1	
3	44244-11J00	BOLT, FUEL TANK FILLER CAP	3	
4	44541-11J00	CUSHION, SIDE	2	
5	44550-06G10	BRACKET, REAR LOWER	1	
6	01550-0816B	BOLT	2	
7	44545-06G00	CUSHION, LOWER	1	
8	44542-06G00	CUSHION, UPPER	1	
9	44530-06G00	BRACKET, UPPER	1	
10	01550-0835B	BOLT	1	
11	44572-44G00	FASTENER, FUEL TANK COVER	2	
12	44194-11J00	SHIELD, TANK CENTER	1	
13	44154-11J00	BRACKET, FRONT COVER	1	
14	09139-06192	SCREW (6X25)	2	
15	44511-16G00	CUSHION, FUEL TANK FRONT	2	
16	44512-16G00	WASHER, FUEL TANK FRONT	2	
17	44520-11J00	BRACKET, FUEL TANK FRONT	1	
18	01550-0620B	BOLT	3	
19	44560-11J00	BRACKET, FRONT SIDE	2	
20	44542-11J00	CUSHION, FRONT SIDE BRACKET	2	
21	01550-0612B	BOLT	2	
22	68241-11J00	MOLDING, FUEL TANK	2	
23	44179-11J00	BRACKET, FUEL TANK COVER RH	1	
24	44189-11J00	BRACKET, FUEL TANK COVER LH	1	
25	44572-13G00	FASTENER, FUEL TANK COVER	2	
26	44183-23H00	CUSHION, FUEL TANK COVER	2	
27	09329-18001	CUSHION	2	
28	07120-0612A	BOLT	2	
29	44423-11J00	HOSE, FUEL TANK DRAIN NO.1	1	
30	44423-11J10	HOSE, FUEL TANK DRAIN NO.2	1	
31	09407-18402	CLAMP (L:165)	1	
32	09367-08005	JOINT, WATER DRAIN	1	

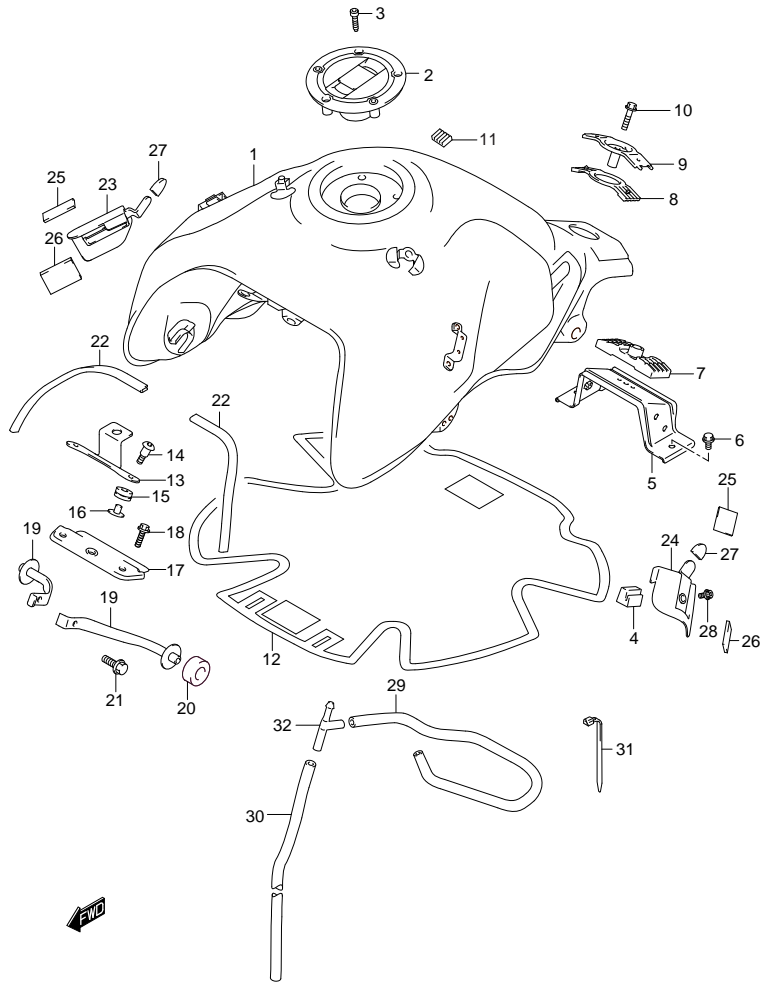


FIG.44

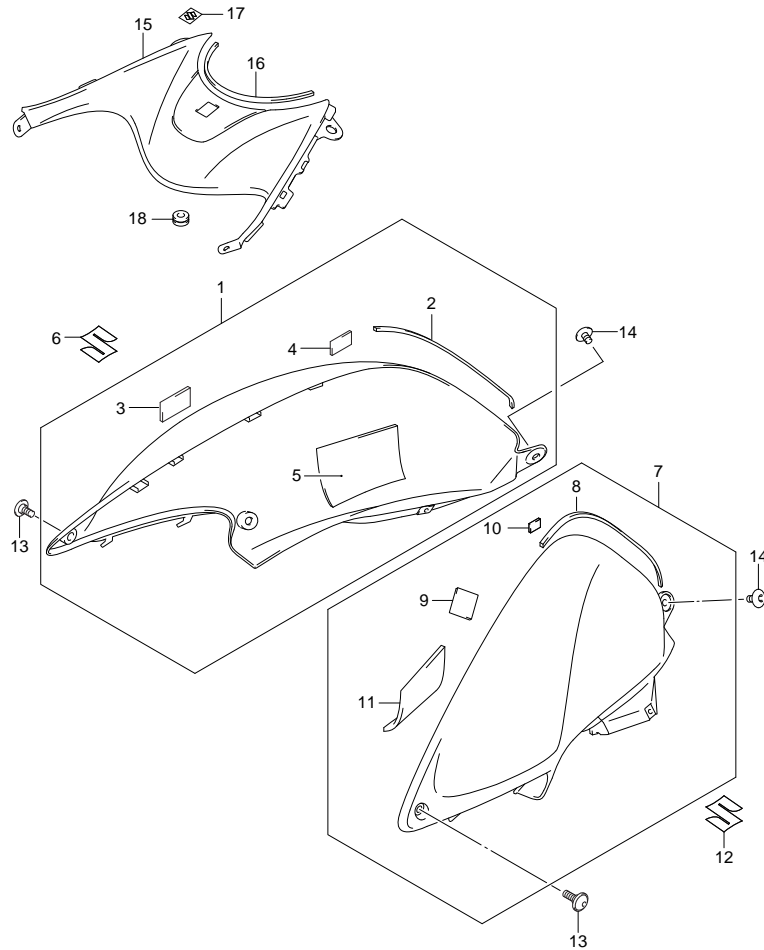


FIG. 44 (1-E-8) FUEL TANK COVER

REF NO.	PART NO.	DESCRIPTION	Q' TY	REMARKS
1-1	44170-11J00-YPA	COVER, SIDE RH (WHITE)	1	
1-2	44170-11J00-YUK	COVER, SIDE RH (ORANGE)	1	
1-3	44170-11J00-YVB	COVER, SIDE RH (BLACK)	1	
2	44277-37H00	·CUSHION, SIDE COVER	1	
3	44572-13G00	·FASTNER, FUEL TANK COVER	1	
4	44572-44G00	·FASTNER, FUEL TANK COVER	1	
5	44278-11J00	·CUSHION	1	
6	68111-18G20	EMBLEM, "S"	1	
7-1	44180-11J00-YPA	COVER, SIDE LH (WHITE)	1	
7-2	44180-11J00-YUK	COVER, SIDE LH (ORANGE)	1	
7-3	44180-11J00-YVB	COVER, SIDE LH (BLACK)	1	
8	44277-37H00	·CUSHION, SIDE COVER	1	
9	44572-13G00	·FASTNER, FUEL TANK COVER	1	
10	44572-44G00	·FASTNER, FUEL TANK COVER	1	
11	44278-11J00	·CUSHION	1	
12	68111-18G20	EMBLEM, "S"	1	
13	09139-05064	SCREW (5X13)	4	
14	09139-06178	BOLT (6X8)	2	
15	44191-11J00	COVER, FUEL TANK FRONT	1	
16	44192-11J00	CUSHION, FUEL TANK FRONT COVER	1	
17	68281-35F00	EMBLEM, "S"	1	
18	09320-06504	CUSHION	1	



FIG.45

FIG. 45 (1-E-9) EVAP SYSTEM (DL650AL2 E33)

REF NO.	PART NO.	DESCRIPTION	Q' TY	REMARKS
1	44434-11J00	HOSE, TANK & VALVE	1	
2	09401-11413	CLIP	5	
3	44240-17C00	VALVE, BREATHER	1	
4	44890-06G00	PLATE, BREATHER VALVE	1	
5	44894-24A00	·CUSHION	1	
6	01550-0612B	BOLT	1	
7	44892-24A00	PLATE, VALVE NO.2	1	
8	44894-24A00	·CUSHION	1	
9	02142-0408B	SCREW	2	
10	17210-15H00	CANISTER	1	
11	18561-11J00	HOSE, CANISTER PURGE	1	
12	18563-11J00	HOSE, CANISTER SURGE	1	
13	09251-07003	CAP	1	
14	44883-06G00	CUSHION, CANISTER	1	
15	09401-12404	CLIP	2	

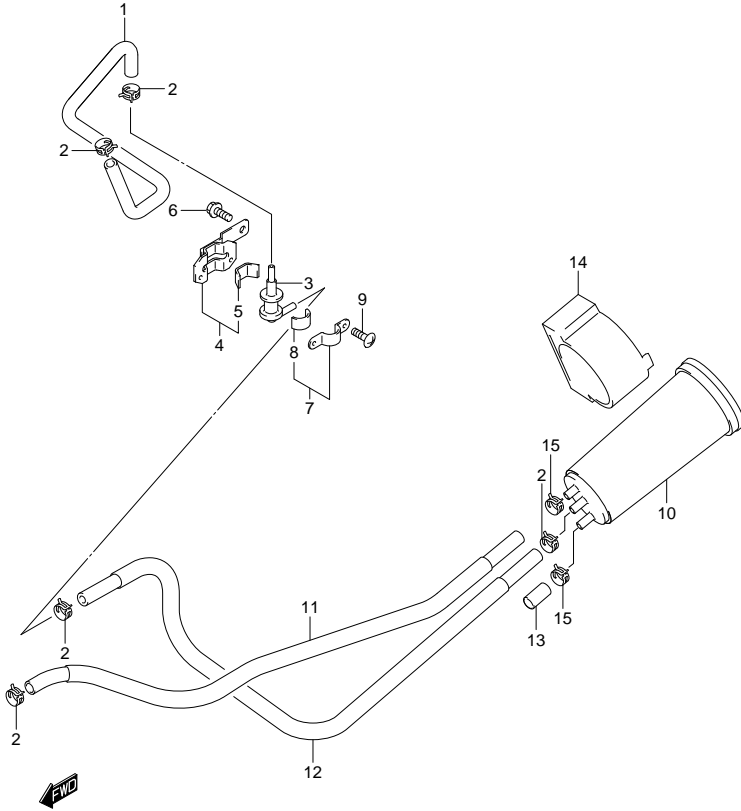


FIG.46

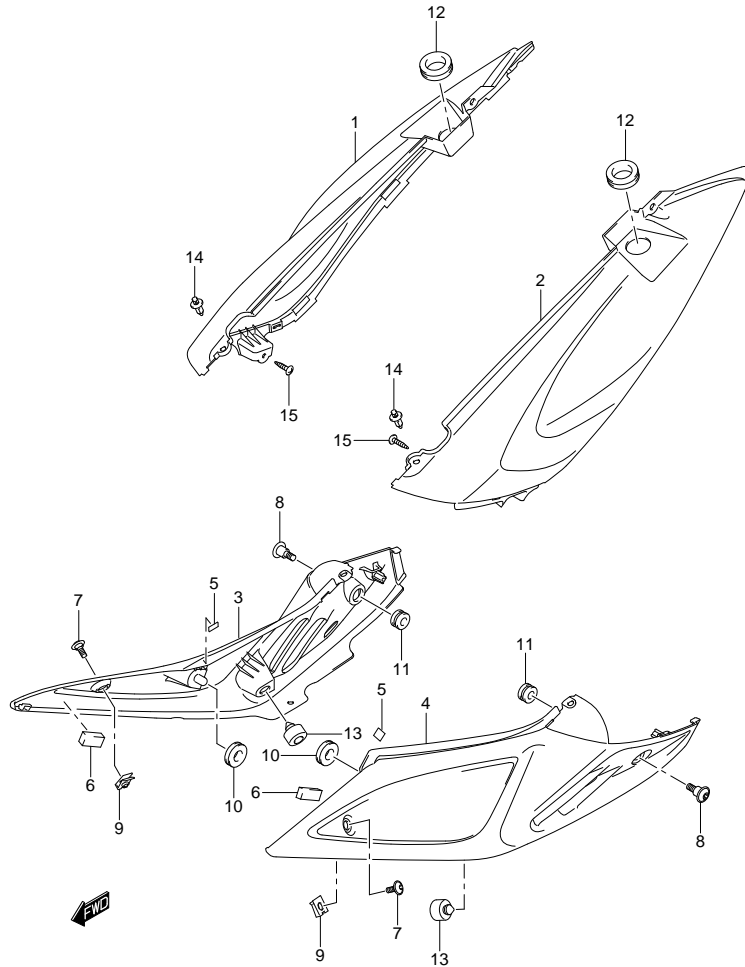


FIG.46 (1-E-10) FRAME COVER

REF NO.	PART NO.	DESCRIPTION	Q'TY	REMARKS
1-1	47111-11J00-YPA	COVER, FRAME RH (WHITE)	1	
1-2	47111-11J00-YUK	COVER, FRAME RH (ORANGE)	1	
1-3	47111-11J00-YVB	COVER, FRAME RH (BLACK)	1	
2-1	47211-11J00-YPA	COVER, FRAME LH (WHITE)	1	
2-2	47211-11J00-YUK	COVER, FRAME LH (ORANGE)	1	
2-3	47211-11J00-YVB	COVER, FRAME LH (BLACK)	1	
3	47411-11J00	COVER, FRAME SIDE RH	1	
4	47511-11J00	COVER, FRAME SIDE LH	1	
5	63115-37H00	CUSHION, FRAME COVER	2	
6	94423-10G00	CUSHION, FRAME COVER	2	
7	09139-05074	BOLT (5X13)	2	
8	09139-06179	BOLT (6X20)	2	
9	09148-05052	NUT	2	
10	09320-08028	CUSHION	2	
11	09320-09016	CUSHION	2	
12	09320-20010	CUSHION	2	
13	09321-10001	CUSHION	2	
14	09409-06314-5PK	CLIP (BLACK)	4	
15	03541-0416A	SCREW	2	

FIG.47

FIG.47 (1-E-11) BATTERY HOLDER

REF NO.	PART NO.	DESCRIPTION	Q' TY	REMARKS
1	47431-27GA0	HOLDER, BATTERY	1	
2	09111-06107	BOLT (6X12)	2	
3	09132-05053	SCREW (5X16)	2	
4	09280-63003	BAND, TOOL	1	
5	09800-21055	TOOL ASSY	1	
6	09816-00059	SPANNER, HEXAGON (5)	1	
7	09816-00149	SPANNER, BOX	1	
8	09817-00035	SPANNER, RING (22)	1	
9	09817-00039	SPANNER, RING (24)	1	

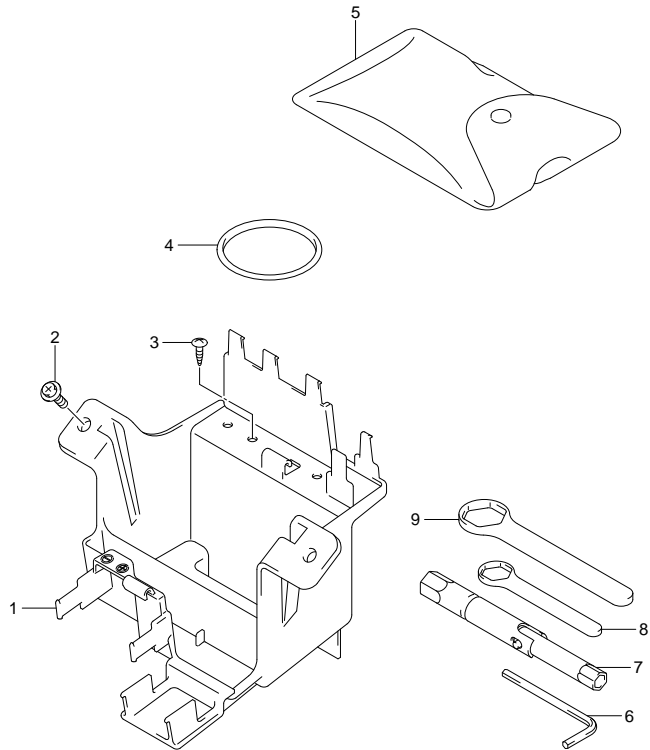


FIG.48

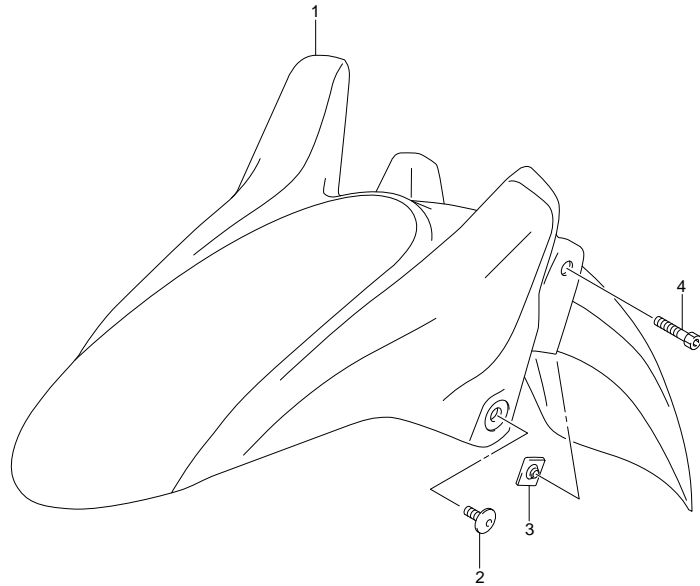


FIG. 48 (1-E-12) FRONT FENDER

REF NO.	PART NO.	DESCRIPTION	Q' TY	REMARKS
1	53111-11J00-291	FENDER, FRONT (BLACK)	1	
2	09139-06158	SCREW (6X16)	2	
3	53122-06G00	NUT	2	
4	09106-06122	BOLT (6X30)	2	

FIG.49

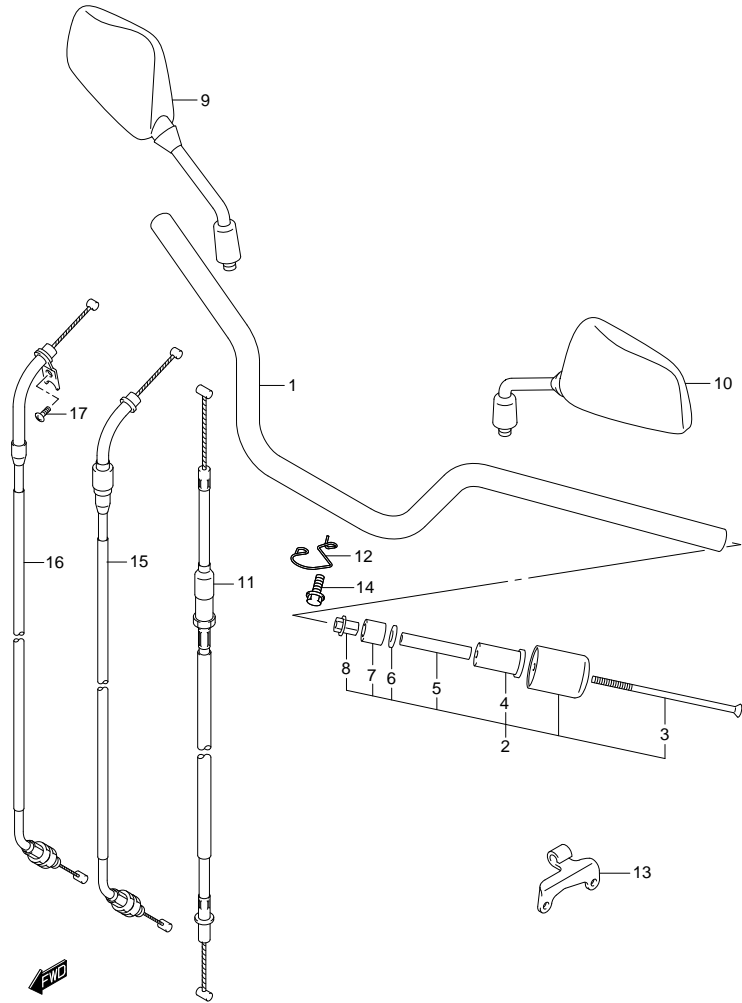


FIG. 49 (1-E-13) HANDLEBAR

REF NO.	PART NO.	DESCRIPTION	Q'TY	REMARKS
1	56111-11J00-YUS	HANDLEBAR (SILVER)	1	
2	56200-16841	BALANCER SET, HANDLEBAR	2	
3	09127-06018	·SCREW (6X110)	2	
4	56272-06G00	·EXPANDER, OUTER	2	
5	56276-17D00	·SPACER	2	
6	09160-06131	·WASHER (6.5X16X4)	2	
7	56272-10G00	·EXPANDER, INNER	2	
8	56273-10G10	·NUT	2	
9	56500-04F30	MIRROR ASSY, REAR VIEW RH	1	
10	56600-04F30	MIRROR ASSY, REAR VIEW LH	1	
11	58200-11J00	CABLE ASSY, CLUTCH	1	
12	58631-11J10	GUIDE, CLUTCH CABLE	1	
13	58634-44H00	STOPPER, CLUTCH CABLE	1	
14	01547-0612A	BOLT	1	
15	58300-11J00	CABLE ASSY, THROTTLE NO.1	1	
16	58300-11J10	CABLE ASSY, THROTTLE NO.2	1	
17	09125-05042	SCREW (5X10)	1	

FIG.50

FIG. 50 (1-E-14) HANDLE LEVER

REF NO.	PART NO.	DESCRIPTION	Q'TY	REMARKS
1	57110-21H01	GRIP, THROTTLE	1	
2	57300-44G11	LEVER ASSY, BRAKE	1	
3	57431-17H01	·BOLT, PIVOT	1	
4	08319-21068	·NUT	1	
5	57460-14J00	SWITCH ASSY, FRONT BRAKE	1	
6	57465-17C00	·SCREW	1	
7	57211-21H00	GRIP, LH	1	
8	57500-25D00	LEVER ASSY, CLUTCH	1	
9	57621-33E01	·LEVER ASSY, CLUTCH	1	
10	57431-45C01	·BOLT, PIVOT	1	
11	08319-2106A	·NUT	1	
12	57441-45C00	·ADJUSTER WIRE	1	
13	57442-45C00	·NUT, LOCK	1	
14	01547-0620B	·BOLT	1	
15	57560-05A00	·SWITCH, CLUTCH	1	
16	02122-0320A	·SCREW	1	
17	57661-33E00	COVER, CLUTCH LEVER	1	

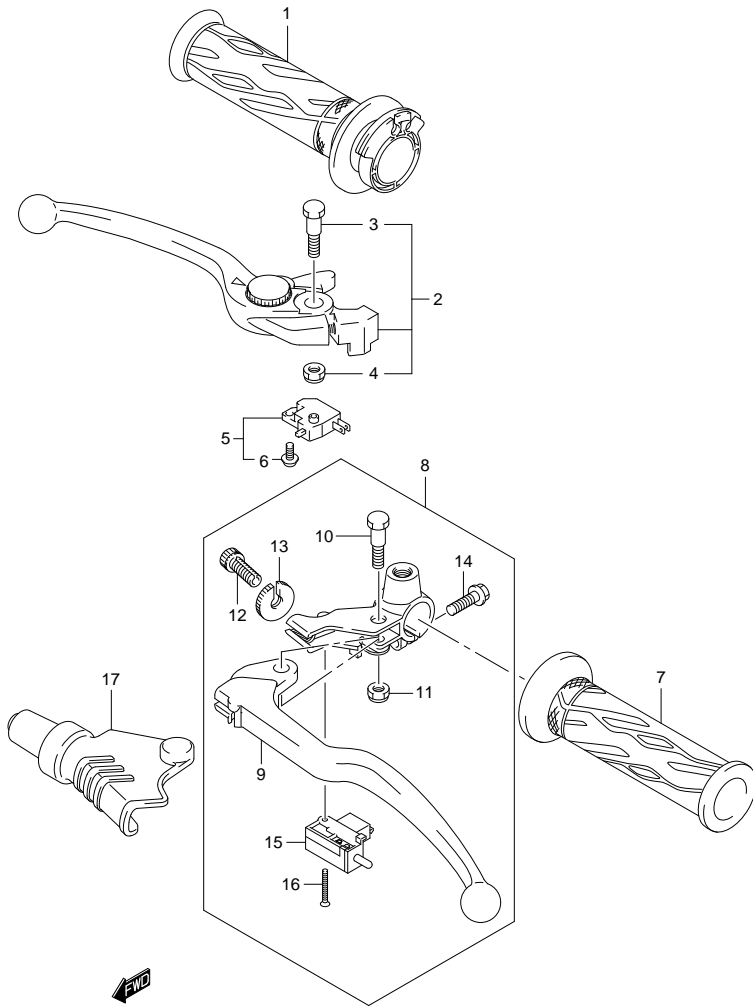


FIG.51

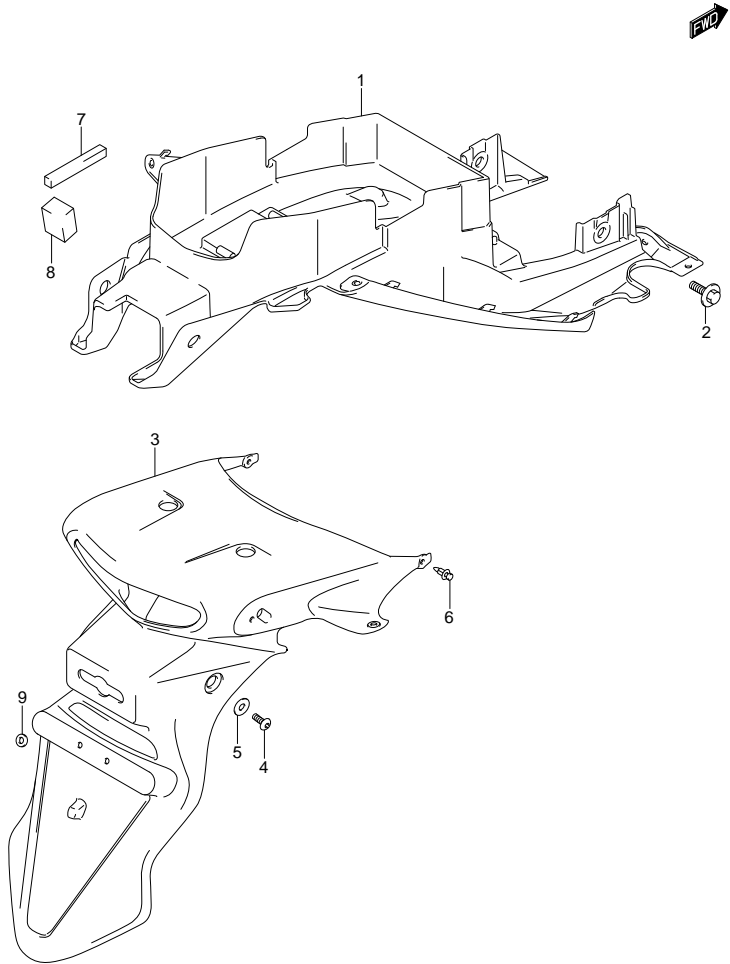


FIG. 51 (1-E-15) REAR FENDER

REF NO.	PART NO.	DESCRIPTION	QTY	REMARKS
1	63111-11J00	FENDER, REAR FRONT	1	
2	09116-06181	BOLT (6X13)	2	
3	63112-11J00-291	FENDER, REAR (BLACK)	1	
4	09139-06140	BOLT (6X16)	2	
5	09160-06156	WASHER (6.5X18X1.6)	2	
6	09409-06314-5PK	CLIP (BLACK)	4	
7	45518-16G00	CUSHION, REAR FENDER FRONT	1	
8	63121-11J00	CUSHION, REAR FENDER REAR	1	
9	08322-0106B	WASHER	2	

FIG.52

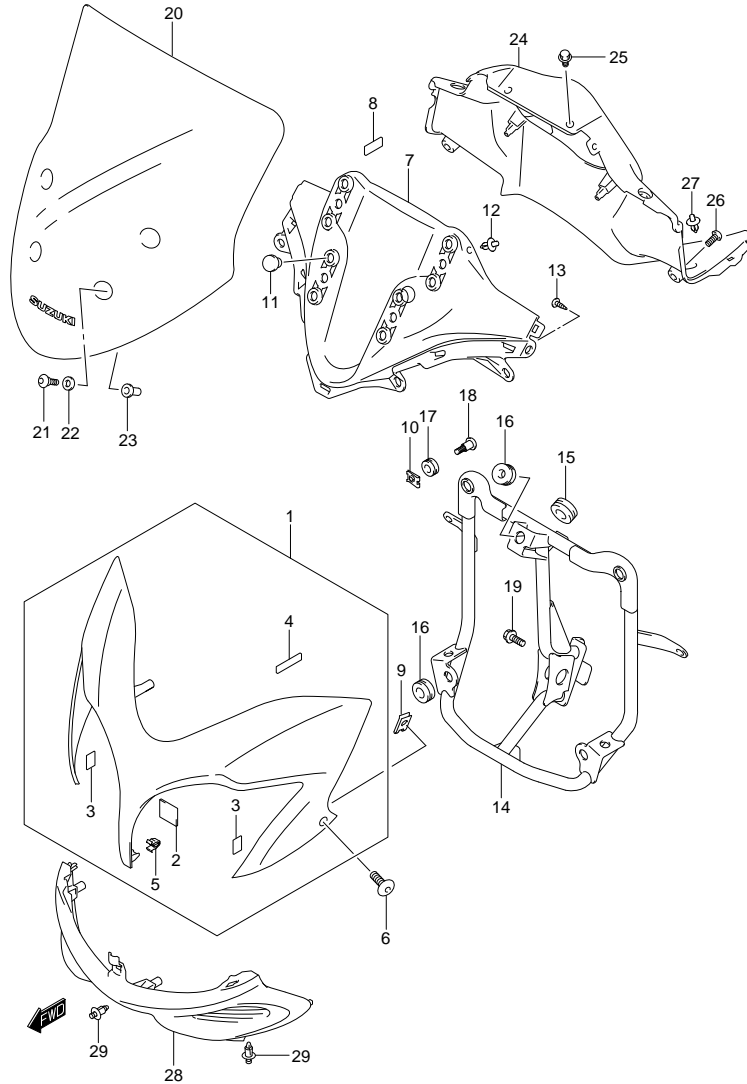


FIG.52 (1-F-2) COWLING BODY

REF NO.	PART NO.	DESCRIPTION	Q'TY	REMARKS
1-1	94410-11J00-YPA	BODY, COWLING (WHITE)	1	
1-2	94410-11J00-YUK	BODY, COWLING (ORANGE)	1	
1-3	94410-11J00-YVB	BODY, COWLING (BLACK)	1	
2	44572-02F01	·FASTENER, BODY COWLING	1	
3	44572-37H00	·FASTENER, BODY COWLING	2	
4	94443-06G00	·TAPE, FRONT PANEL	4	
5	09409-08326	·CLIP	1	
6	09139-05064	SCREW (5X13)	2	
7	94414-11J00	PANEL, FRONT	1	
8	94612-31F00	CUSHION, FRONT PANEL	2	
9	09148-05052	NUT	2	
10	09148-06020	NUT	2	
11	09250-10010	CUSHION	8	
12	09409-06329	CLIP	2	
13	03241-0512B	SCREW	2	
14	94510-11J00	BRACE, COWLING	1	
15	34955-13E00	CUSHION, BRACE COWLING	1	
16	09320-08028	CUSHION	3	
17	09320-09016	CUSHION	2	
18	09139-06126	SCREW (6X20)	2	
19	01550-0820B	BOLT	2	
20	94611-11J00	WINDSCREEN	1	
21	09139-05032	SCREW (5X18)	4	
22	09160-05048	WASHER (5.5X14X1.2)	4	
23	09159-05019	NUT	4	
24	94631-11J00	PANEL, METER (BLACK)	1	
25	09139-05074	BOLT (5X13)	4	
26	09139-06120	SCREW (6X16)	2	
27	09409-06329	CLIP	2	
28	94461-11J00	COVER, COWLING INNER	1	
29	09409-06329	CLIP	2	

FIG.53

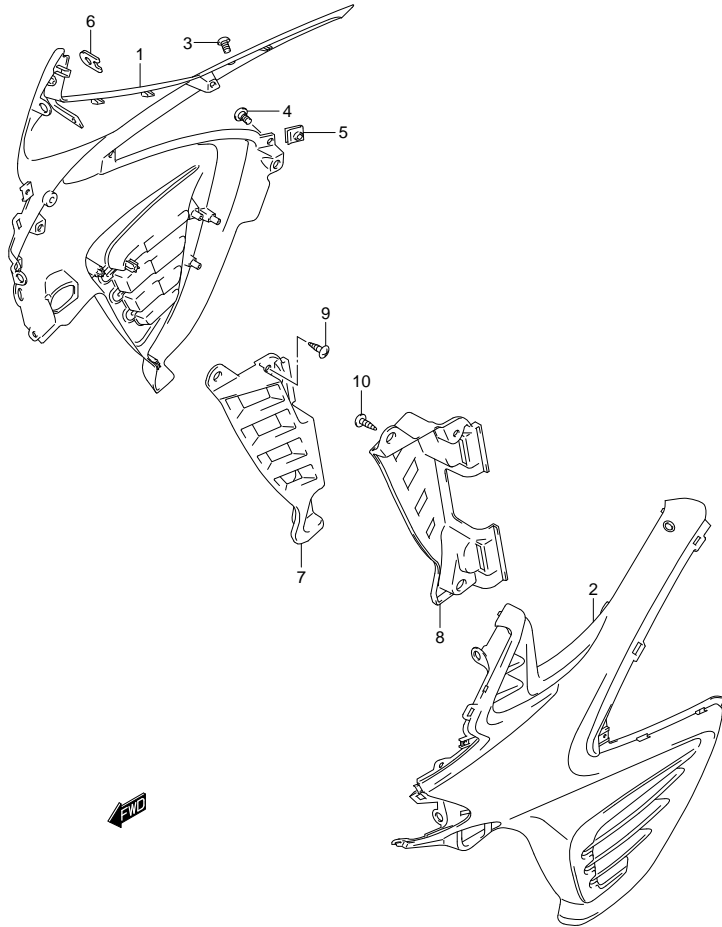


FIG.53 (1-F-3) SIDE COWLING

REF NO.	PART NO.	DESCRIPTION	Q'TY	REMARKS
1	94421-11J00	COWLING, SIDE RH	1	
2	94431-11J00	COWLING, SIDE LH	1	
3	09139-06051	SCREW (6X10)	2	
4	09139-06144	SCREW (6X12)	2	
5	09148-05052	NUT	6	
6	09148-06020	NUT	2	
7	94462-11J00	COVER, INNER RH	1	
8	94463-11J00	COVER, INNER LH	1	
9	03241-0512B	SCREW	3	RH
10	03241-0516A	SCREW	3	LH

FIG.54

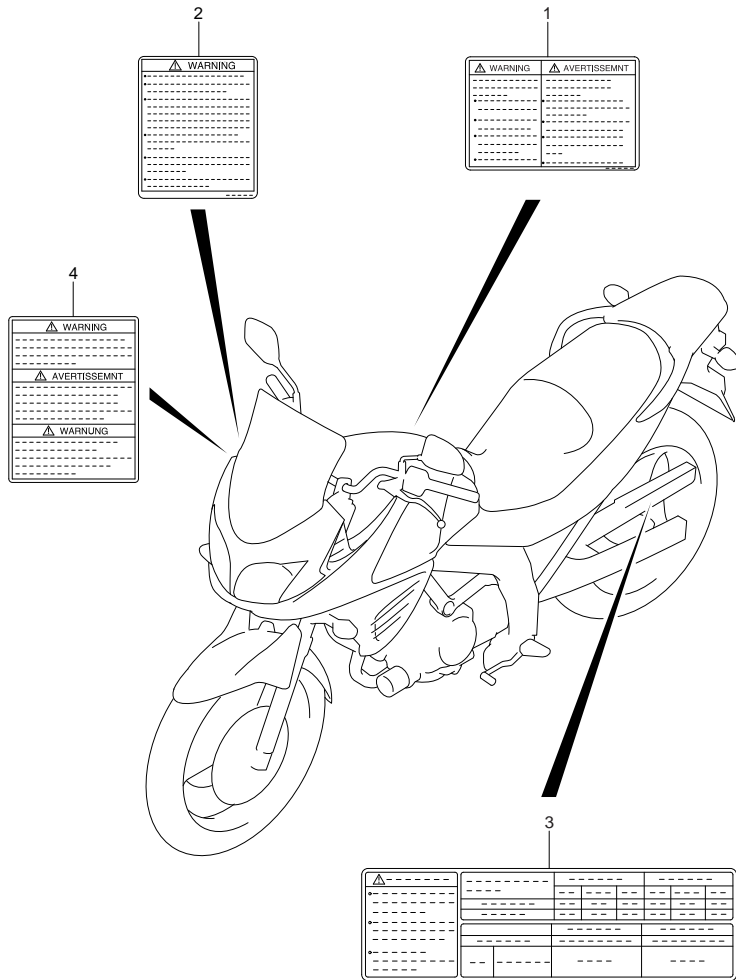


FIG. 54 (1-F-4) LABEL (DL650AL2 E28)

REF NO.	PART NO.	DESCRIPTION	Q' TY	REMARKS
1	68319-29F10	LABEL, WARNING (ENGLISH)	1	
2-1	68922-29F00	LABEL, SCREEN (ENGLISH)	1	
2-2	68922-29F30	LABEL, SCREEN (FRENCH)	1	
3	68332-27G00	LABEL, TIRE INFORMATION	1	
4	68613-24F00	LABEL, STEERING	1	
5-1	99011-11J60-01A	MANUAL, OWNER'S (ENGLISH)	1	NOT ILLUSTRATED
5-2	99011-11J60-01F	MANUAL, OWNER'S (FRENCH)	1	NOT ILLUSTRATED

FIG.55

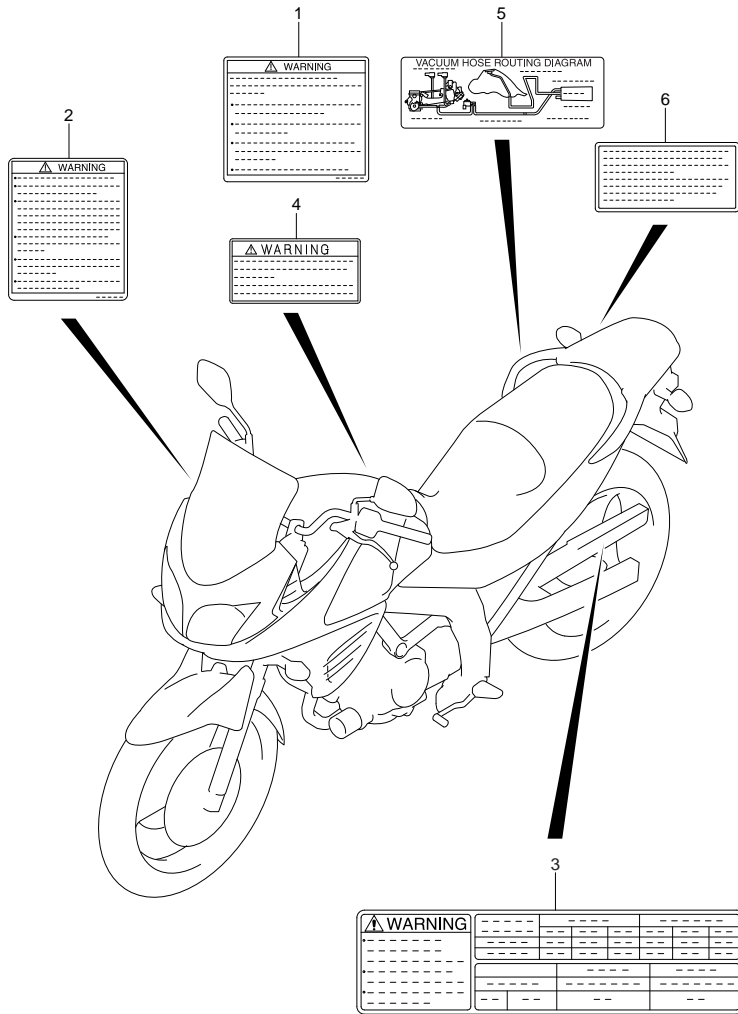


FIG. 55 (1-F-5) LABEL (DL650AL2 E33)

REF NO.	PART NO.	DESCRIPTION	Q' TY	REMARKS
1	68319-29F00	LABEL, WARNING (ENGLISH)	1	
2	68922-29F00	LABEL, SCREEN (ENGLISH)	1	
3	68332-27G10	LABEL, TIRE INFORMATION	1	
4	68613-18E00	LABEL, STEERING	1	
5	68387-11J00	LABEL, VACUUM HOSE ROUTING	1	
6	68353-26E02	LABEL, MANUAL NOTICE	1	
7	99011-11J60-03A	MANUAL, OWNER'S (ENGLISH)	1	NOT ILLUSTRATED

FIG.56

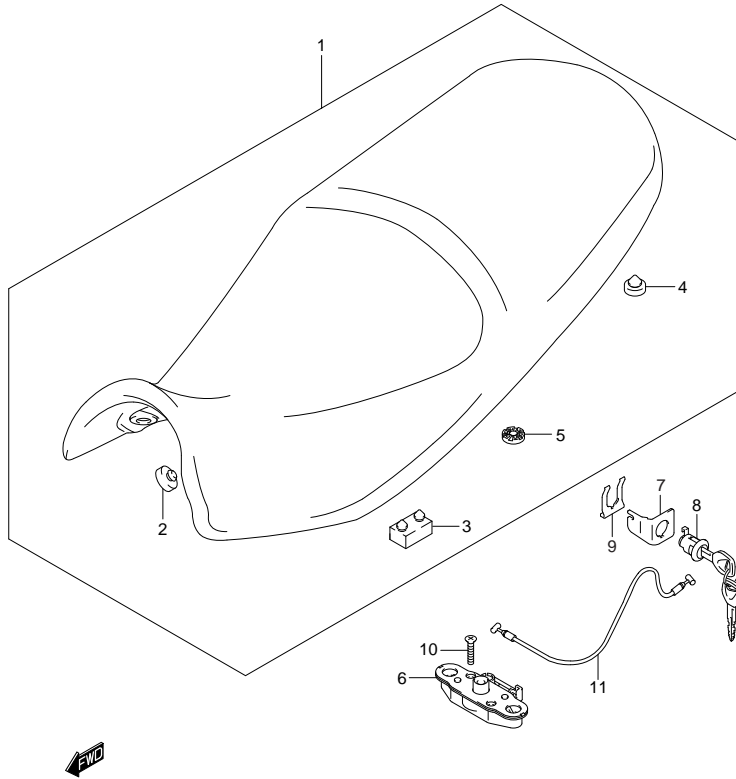


FIG.56 (1-F-6) SEAT

REF NO.	PART NO.	DESCRIPTION	Q' TY	REMARKS
1	45100-11J00-KCJ	SEAT ASSY	1	
2	45148-36C00	·CUSHION, SEAT FRONT	2	
3	45149-31300	·CUSHION, SEAT	4	
4	09321-10012	·CUSHION	2	
5	45213-13601	·CUSHION, SEAT LOCK STRIKER	2	
6	45220-47H00	BRACKET, SEAT SUPPORT REAR	1	
7	45288-14F00	GUIDE, SEAT LOCK CABLE	1	
8	95700-14810	LOCK SET, SEAT	1	
9	45289-11F00	PLATE, SEAT LOCK ASSY	1	
10	02122-0630A	SCREW	2	
11	45280-11J00	CABLE, SEAT LOCK	1	

FIG.57

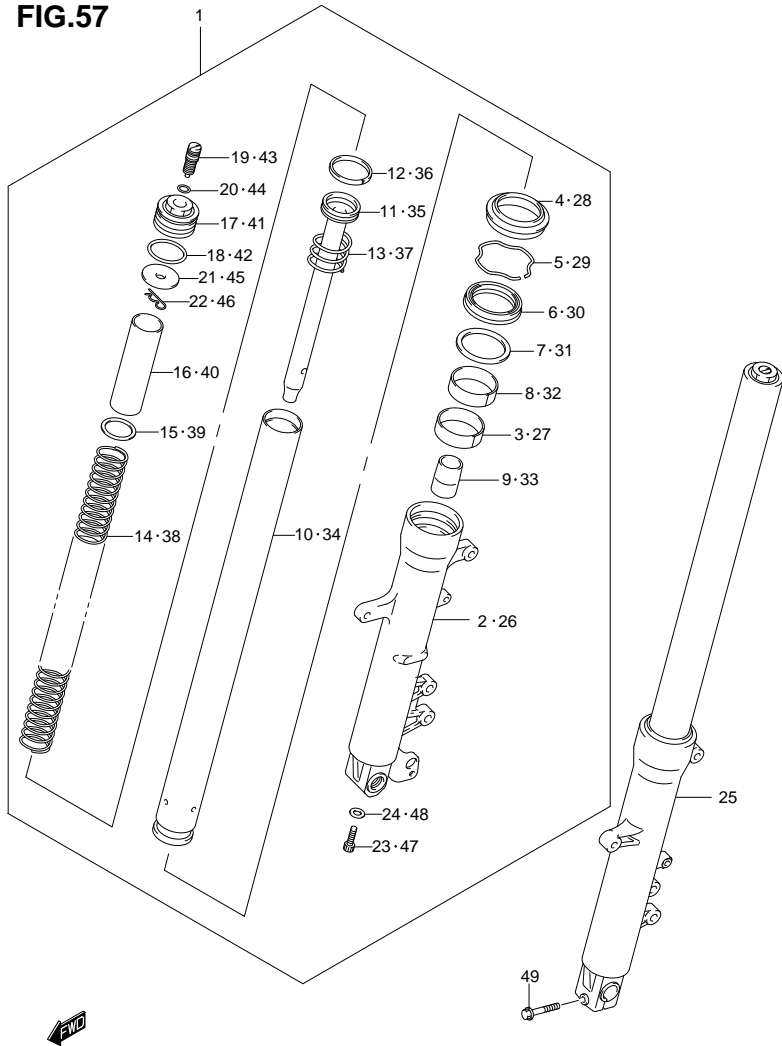


FIG. 57 (1-F-7) FRONT DAMPER

REF NO.	PART NO.	DESCRIPTION	Q'TY	REMARKS
1	51103-11J00	DAMPER ASSY, FRONT FORK RH	1	
2	51131-11J00	·TUBE, OUTER RH	1	
3	51121-11J00	·BUSH, SLIDE	1	
4	51173-27G00	·SEAL, DUST	1	
5	51556-38B00	·RING, STOPPER	1	
6	51553-47H00	·SEAL, OIL	1	
7	51168-17C00	·SPACER, SEAL	1	
8	51152-47H00	·BUSH, GUIDE	1	
9	51195-27G00	·PIECE, OIL LOCK	1	
10	51110-11J00	·PIPE, FORK	1	
11	51146-11J00	·PIPE SEAT	1	
12	51196-27G00	·RING, PISTON	1	
13	51177-14D00	·SPRING, REBOUND	1	
14	51171-11J00	·SPRING, FRONT	1	
15	51186-17C00	·SEAT, SPRING, LOWER	1	
16	51176-19C00	·COLLAR, SPRING	1	
17	51189-27G00	·BOLT, FORK	1	
18	51117-17C00	·O RING	1	
19	51185-27G00	·ADJUSTER BOLT, SPRING	1	
20	51187-14D00	·O RING	1	
21	51186-12C00	·SEAT, SPRING	1	
22	51188-32B00	·PIN, SEAT SPRING	1	
23	51147-48130	·BOLT	1	
24	51148-31030	·GASKET	1	

FIG.57

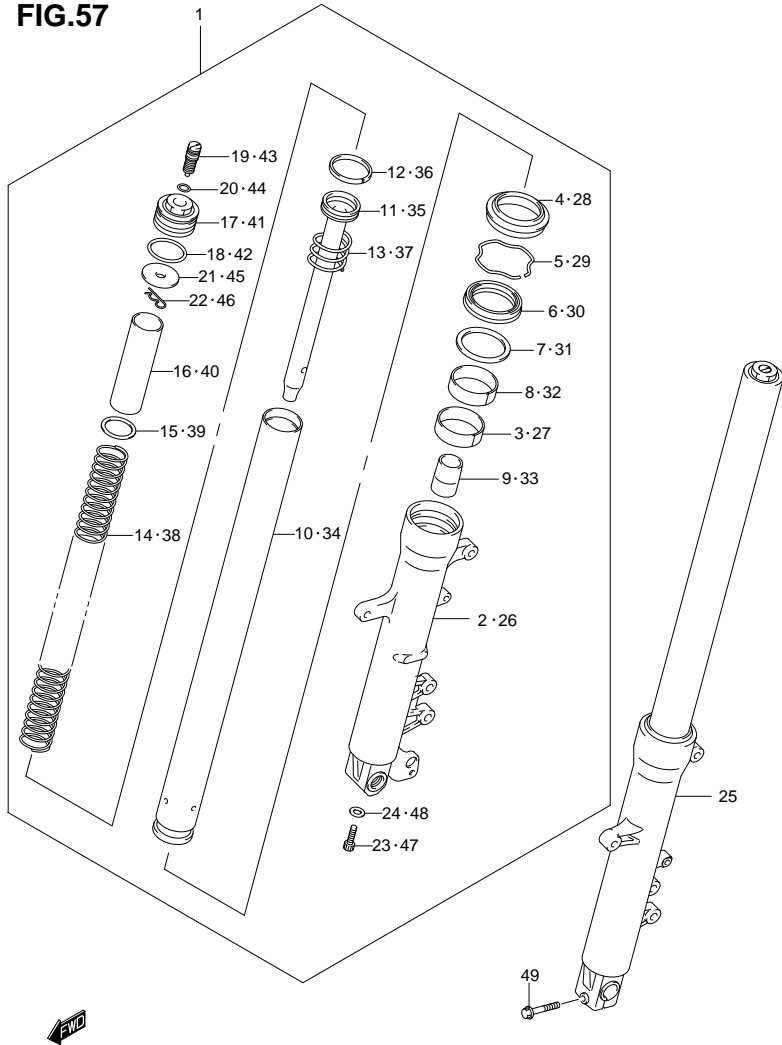


FIG. 57 (1-F-8) FRONT DAMPER

REF. NO.	PART NO.	DESCRIPTION	Q'TY	REMARKS
25	51104-11J00	DAMPER ASSY, FRONT FORK LH	1	
26	51141-11J00	·TUBE, OUTER LH	1	
27	51121-11J00	·BUSH, SLIDE	2	
28	51173-27G00	·SEAL, DUST	2	
29	51556-38B00	·RING, STOPPER	2	
30	51553-47H00	·SEAL, OIL	2	
31	51168-17C00	·SPACER, SEAL	2	
32	51152-47H00	·BUSH, GUIDE	2	
33	51195-27G00	·PIECE, OIL LOCK	2	
34	51110-11J00	·PIPE, FORK	2	
35	51146-11J00	·PIPE SEAT	2	
36	51196-27G00	·RING, PISTON	2	
37	51177-14D00	·SPRING, REBOUND	2	
38	51171-11J00	·SPRING, FRONT	2	
39	51186-17C00	·SEAT, SPRING, LOWER	2	
40	51176-19C00	·COLLAR, SPRING	2	
41	51189-27G00	·BOLT, FORK	2	
42	51117-17C00	·O RING	2	
43	51185-27G00	·ADJUSTER BOLT, SPRING	2	
44	51187-14D00	·O RING	2	
45	51186-12C00	·SEAT, SPRING	2	
46	51188-32B00	·PIN, SEAT SPRING	2	
47	51147-48130	·BOLT	2	
48	51148-31030	·GASKET	2	
49	51328-27E30	BOLT	1	RH

FIG.58

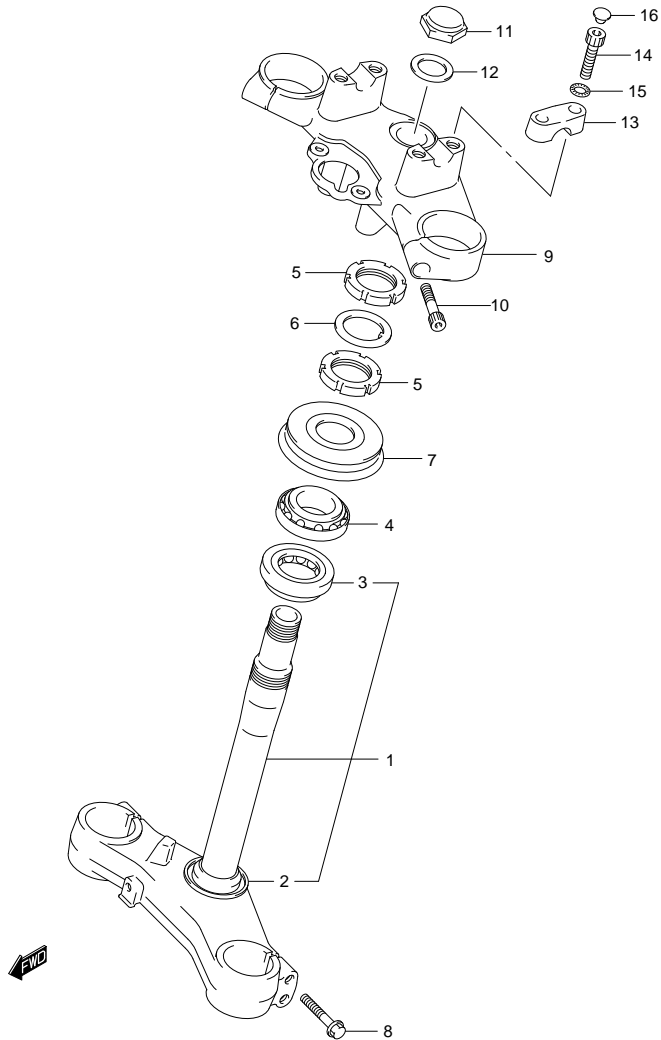


FIG. 58 (1-F-9) STEERING STEM

REF NO.	PART NO.	DESCRIPTION	QTY	REMARKS
1	51410-27G30	STEM, STEERING	1	
2	51644-12C00	·SEAL, STEERING LOWER	1	
3	09267-30010	·BEARING (30X55X17)	1	
4	09267-30010	BEARING (30X55X17)	1	
5	51631-33E00	NUT	2	
6	51641-33E00	WASHER	1	
7	51643-33E00	SEAL, STEERING UPPER, DUST	1	
8	51328-27E30	BOLT	4	
9	51311-11J00	BRACKET UPPER	1	
10	51166-38B40	BOLT	2	
11	51353-27G00	NUT	1	
12	51354-06G00	WASHER	1	
13	56211-06G40	HOLDER, HANDLE UPPER	2	
14	51321-10F00	BOLT	4	
15	09164-08015	WASHER	4	
16	09250-06011	CAP	4	

FIG.59

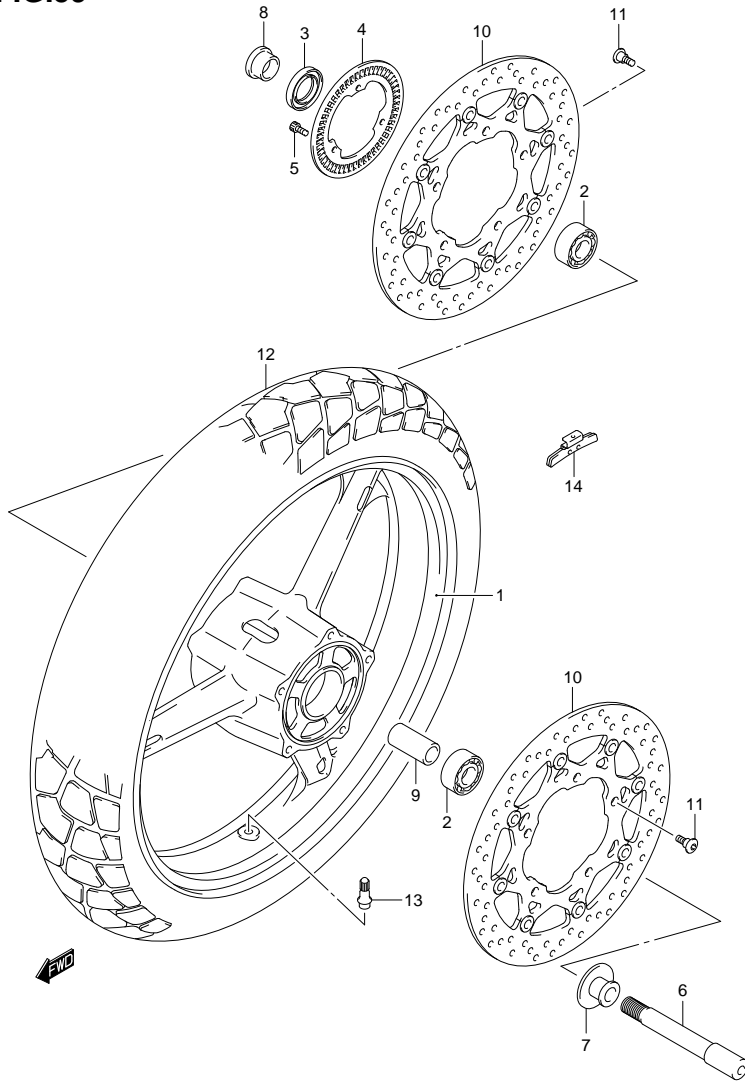


FIG.59 (1-F-10) FRONT WHEEL

REF NO.	PART NO.	DESCRIPTION	Q'TY	REMARKS
1	54111-27G40-019	WHEEL, FRONT (19M/CXMT2.50) (BLACK)	1	
2	08133-62037	BEARING	2	
3	09282-24004	OIL SEAL (22X40X7)	1	
4	54162-27G00	RING, SPEED SENSOR FR	1	
5	07130-0512A	BOLT	3	
6	54711-08F10	AXLE, FRONT	1	
7	54750-31F00	SPACER, FRONT AXLE	1	
8	54751-10G01	SPACER, FRONT AXLE RH	1	
9	09180-17067	SPACER (17.5X25X88)	1	
10	59210-44G11	DISC, FRONT BRAKE	2	
11	09106-08160	BOLT (8X21)	10	
12	55110-06G10	TIRE, FRONT, 110/80R19M/C 59H (BRIDGESTONE)	1	TRAIL WING 101 RADIAL J
13	43130-24A00	VALVE ASSY, WHEEL RIM	1	
14-1	43222-73H10	BALANCER, WHEEL NO.1	0%3	
14-2	43224-73H10	BALANCER, WHEEL NO.2	0%3	
14-3	43226-73H10	BALANCER, WHEEL NO.3	0%3	

FIG.60

FIG. 60 (1-F-11) HYDRAULIC UNIT

REF NO.	PART NO.	DESCRIPTION	Q'TY	REMARKS
1	55610-11J00	UNIT ASSY, HYDRAULIC ABS	1	
2	55660-11J00	HOLDER, HYDRAULIC UNIT ABS	1	
3	01550-0612A	BOLT	2	
4	09116-06171	BOLT (6X30)	1	
5	09116-06176	BOLT (6X37)	2	
6	09180-06296	SPACER (6.5X10X20)	3	
7	09320-10061	CUSHION	3	
8	55667-27G10	COVER, HYDRAULIC UNIT	1	
9	09111-06066	BOLT (6X16)	1	
10	09409-08308-5ES	CLIP (BLACK)	2	
11	55710-11J00	SENSOR, FR WHEEL ABS	1	
12	01550-0816A	BOLT	1	
13	65710-11J00	SENSOR, RR WHEEL ABS	1	
14	01550-0816A	BOLT	1	
15	09407-14407	CLAMP (L:145)	2	
16	09408-00266	CLAMP	5	
17	34938-14F00	GUIDE, SENSOR LEAD	1	
18	01547-0612A	BOLT	1	

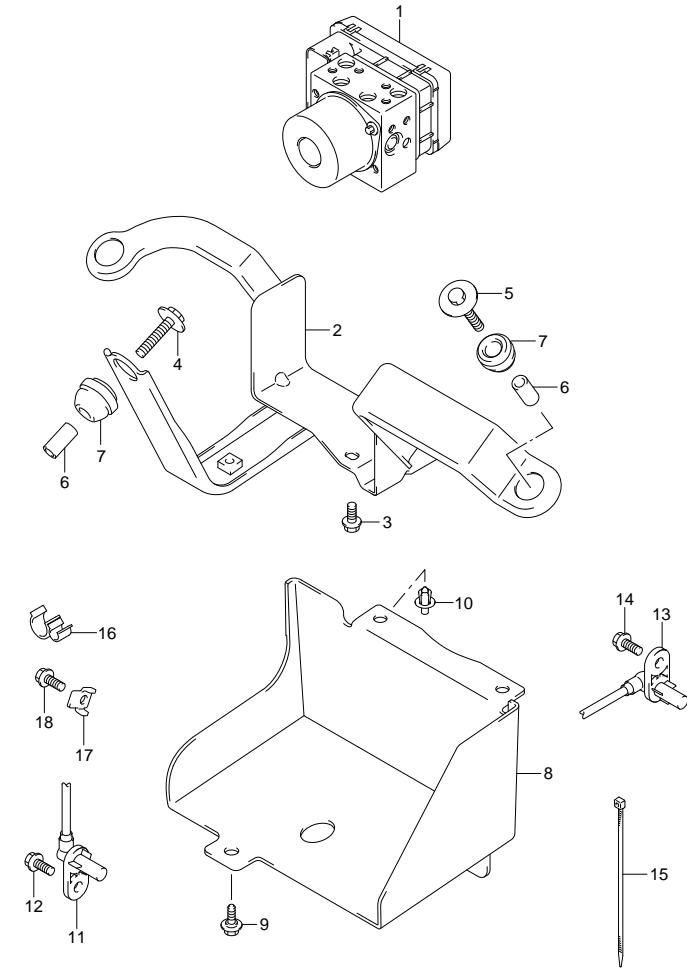


FIG.62

FIG. 62 (1-F-13) FRONT BRAKE HOSE

REF NO.	PART NO.	DESCRIPTION	Q'TY	REMARKS
1	59240-11J00	HOSE, FRONT BRAKE NO.2	1	
2	59250-11J00	PIPE, FRONT BRAKE NO.1	1	
3	59260-06G10	CLAMP, FRONT BRAKE HOSE NO.1	1	
4	59260-11J00	CLAMP, FRONT BRAKE HOSE NO.2	1	
5	59268-11J00	CLAMP, FRONT BRAKE HOSE RH	1	
6	59450-11J00	PIPE, FRONT BRAKE NO.2	1	
7	59480-11J00	HOSE, FRONT BRAKE NO.1	1	
8	09403-16412	CLAMP	1	
9	01547-0612A	BOLT	4	
10	01547-0616A	BOLT	2	
11	59540-11J00	GUIDE, FR BRAKE HOSE	1	
12	59560-11J00	HOSE, FRONT BRAKE NO.3	1	
13	09161-10009	WASHER (10X15X1.5)	7	
14	09360-10062	UNION	1	
15	09360-10062	UNION	1	
16	09360-10064	UNION	1	
17	09403-07334	CLAMP	1	

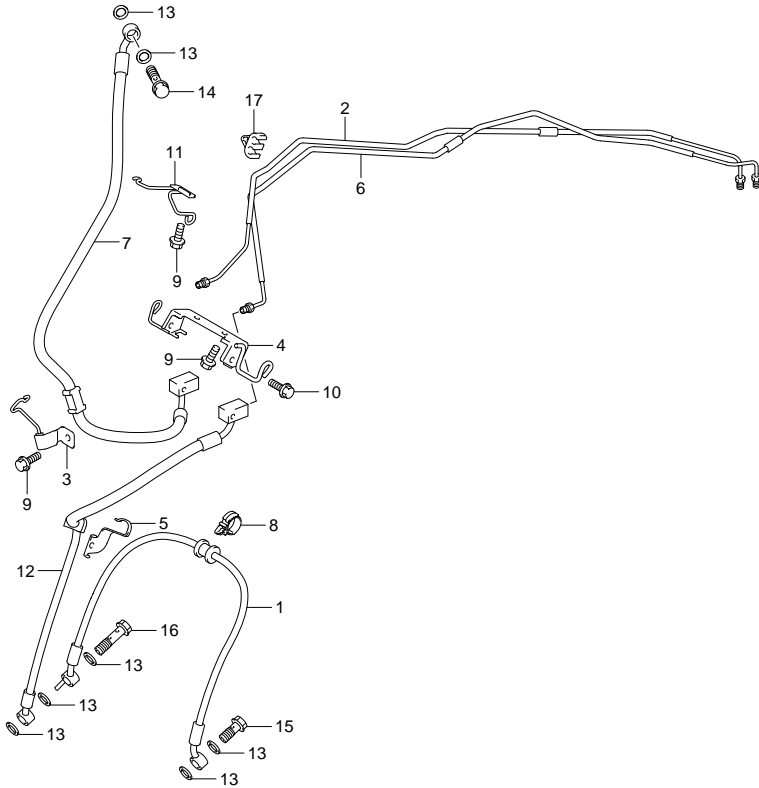


FIG.63

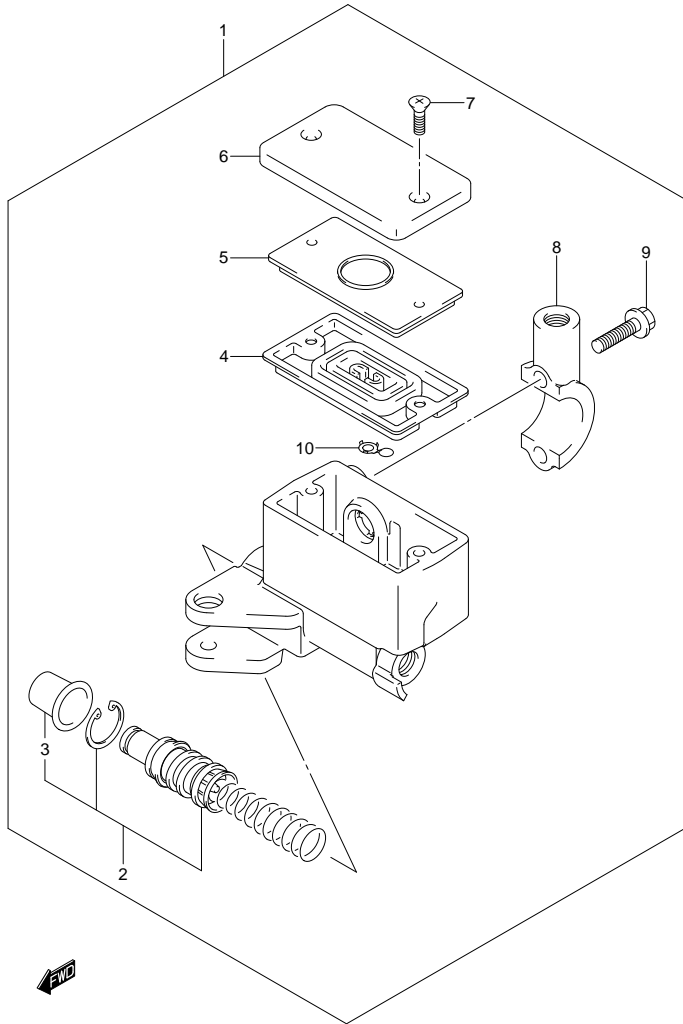


FIG. 63 (1-F-14) FRONT MASTER CYLINDER

REF. NO.	PART NO.	DESCRIPTION	Q'TY	REMARKS
1	59600-10G30	CYLINDER ASSY, FRONT MASTER	1	
2	59600-45870	·PISTON/CUP SET	1	
3	59666-44300	··BOOT	1	
4	59667-49460	·DIAPHRAGM	1	
5	59668-41C00	·PLATE, DIAPHRAGM	1	
6	59669-10G00	·CAP	1	
7	69689-49300	·SCREW	2	
8	59671-32F00	·HOLDER	1	
9	59675-02FA0	·BOLT (6X22)	2	
10	59664-32F00	·PROTECTOR	1	

FIG.64

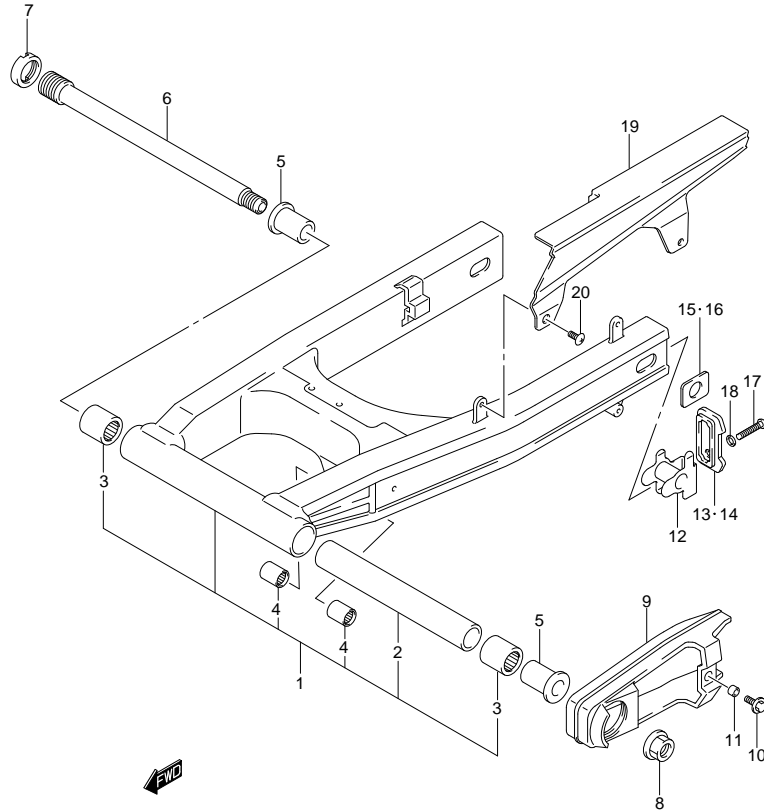


FIG. 64 (1-F-15) REAR SWINGING ARM

REF NO.	PART NO.	DESCRIPTION	Q'TY	REMARKS
1	61000-27G30-YAP	SWINGING ARM ASSY, REAR (BLACK)	1	
2	09180-20118	·SPACER (20.8X27.2X196.7)	1	
3	09263-25059	·BEARING (25X33X35)	2	
4	09263-17037	·BEARING (17X24X25)	2	
5	61251-31E00	SPACER, SWINGING ARM	2	
6	61211-06G00	SHAFT, RR SWINGING ARM PIVOT	1	
7	61214-19F10	NUT, PIVOT SHAFT	1	
8	08319-3118A	NUT	1	
9	61273-27G00	BUFFER, CHAIN TOUCH DEFENSE	1	
10	09116-06152	BOLT (6X20)	2	
11	09180-06283	SPACER (6.5X10X7)	1	
12	61410-03F00	ADJUSTER, CHAIN	2	
13	61421-33D01	PLATE, CHAIN ADJUSTER GUIDE RH	1	
14	61422-33D01	PLATE, CHAIN ADJUSTER GUIDE LH	1	
15	64712-03F00	WASHER, CHAIN ADJUSTER RH	1	
16	64713-03F00	WASHER, CHAIN ADJUSTER LH	1	
17	09106-08119	BOLT (8X50)	2	
18	09164-08015	WASHER	2	
19	61310-16G00	CASE, CHAIN	1	
20	09139-06083	SCREW (6X16)	2	

FIG.65

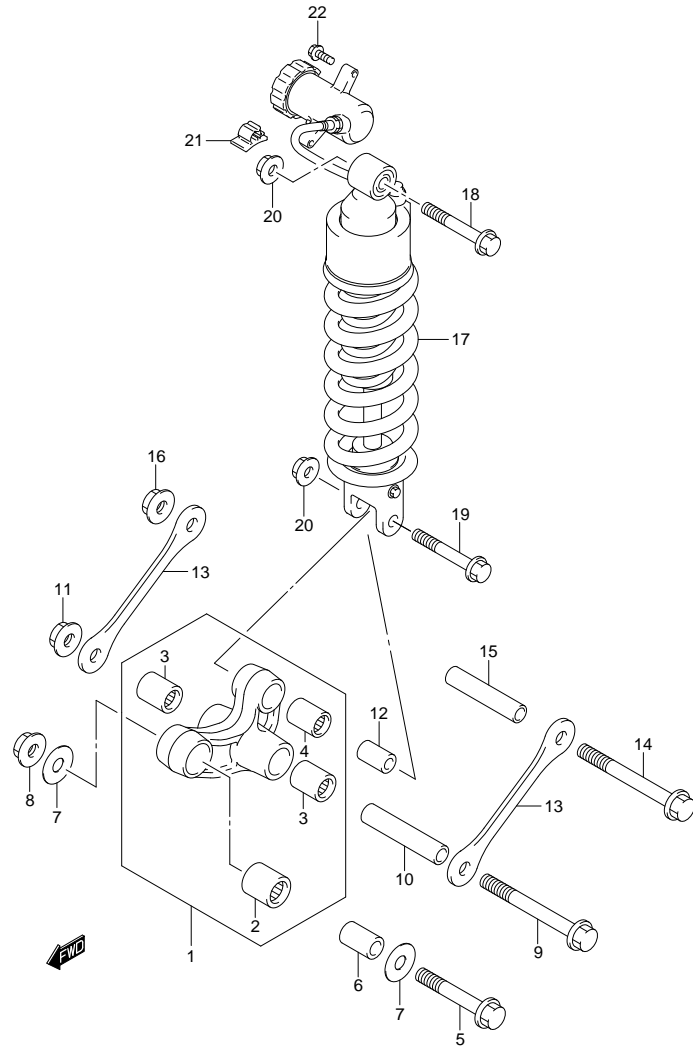


FIG. 65 (1-G-2) REAR CUSHION LEVER (DL650AL2 E28)

REF NO.	PART NO.	DESCRIPTION	QTY	REMARKS
1	62600-06870	LEVER SET, REAR CUSHION	1	
2	09263-20073	·BEARING (20X27X30)	1	FRONT
3	09263-17037	·BEARING (17X24X25)	2	CENTER
4	09263-17034	·BEARING (17X24X26)	1	REAR
5	62658-19F00	BOLT, FRONT (12X78)	1	
6	62684-12C00	SPACER, FRONT (12X78)	1	
7	09160-12037	WASHER (12X34X1)	2	
8	09159-12056	NUT	1	
9	62621-19D00	BOLT, CENTER (12X111)	1	
10	09180-12122	SPACER (12X17X85)	1	CENTER
11	09159-12056	NUT	1	
12	62684-40A10	SPACER, REAR (10X17X30)	1	
13	62641-06G00	ROD, REAR CUSHION	2	
14	62621-19D00	BOLT, ROD (12X111)	1	
15	09180-12122	SPACER (12X17X85)	1	ROD
16	09159-12056	NUT	1	
17	62100-06GB0-019	ABSORBER ASSY, REAR SHOCK (BLACK)	1	
18	09103-10033	BOLT (10X70)	1	UPPER
19	09103-10143	BOLT (10X55)	1	LOWER
20	09159-10115	NUT	2	
21	09403-10313	CLAMP	1	
22	01550-0616A	BOLT	2	

FIG.66

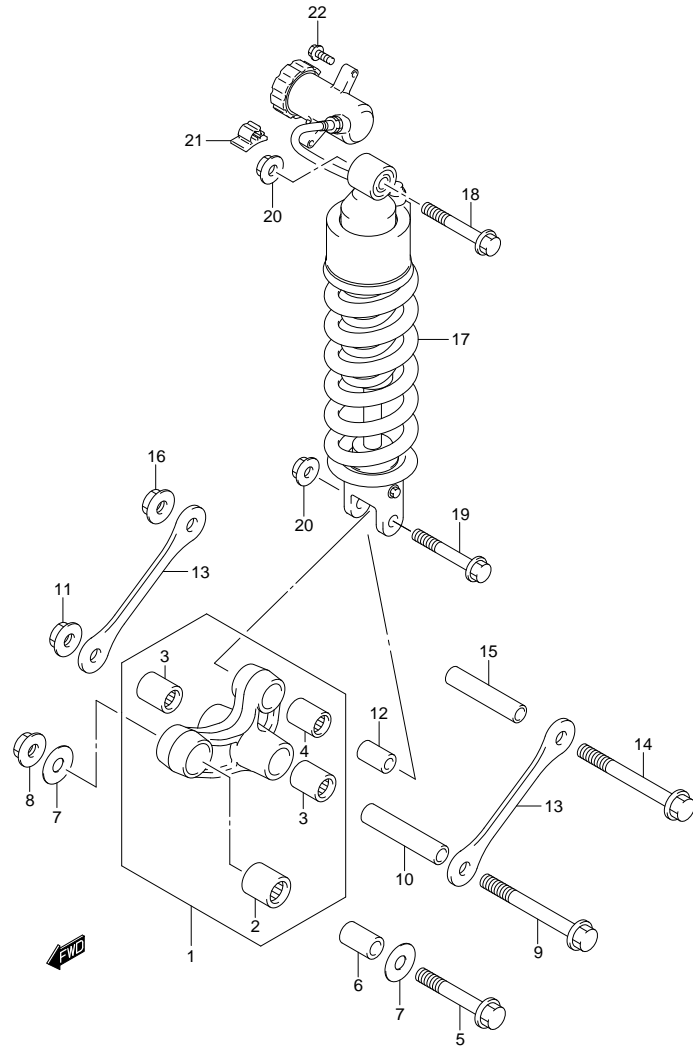


FIG.66 (1-G-3) REAR CUSHION LEVER (DL650AL2 E33)

REF. NO.	PART NO.	DESCRIPTION	Q'TY	REMARKS
1	62600-06870	LEVER SET, REAR CUSHION	1	
2	09263-20073	·BEARING (20X27X30)	1	FRONT
3	09263-17037	·BEARING (17X24X25)	2	CENTER
4	09263-17034	·BEARING (17X24X26)	1	REAR
5	62658-19F00	BOLT, FRONT (12X78)	1	
6	62684-12C00	SPACER, FRONT (12X78)	1	
7	09160-12037	WASHER (12X34X1)	2	
8	09159-12056	NUT	1	
9	62621-19D00	BOLT, CENTER (12X111)	1	
10	09180-12122	SPACER (12X17X85)	1	CENTER
11	09159-12056	NUT	1	
12	62684-40A10	SPACER, REAR (10X17X30)	1	
13	62641-06G00	ROD, REAR CUSHION	2	
14	62621-19D00	BOLT, ROD (12X111)	1	
15	09180-12122	SPACER (12X17X85)	1	ROD
16	09159-12056	NUT	1	
17	62100-06GC0-019	ABSORBER ASSY, REAR SHOCK (BLACK)	1	
18	09103-10033	BOLT (10X70)	1	UPPER
19	09103-10143	BOLT (10X55)	1	LOWER
20	09159-10115	NUT	2	
21	09403-10313	CLAMP	1	
22	01550-0616A	BOLT	2	

FIG.67

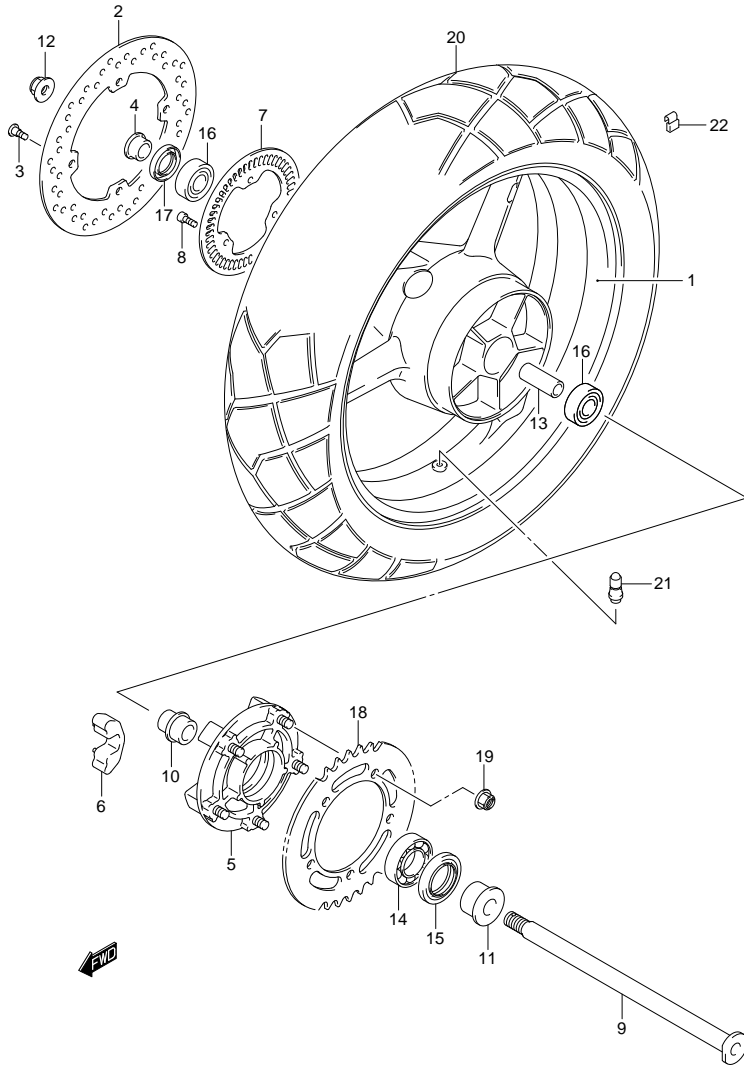


FIG. 67 (1-G-4) REAR WHEEL

REF NO.	PART NO.	DESCRIPTION	Q'TY	REMARKS
1	64111-06G20-019	WHEEL, REAR (17M/CXMT4.00) (BLACK)	1	
2	69211-06G00	DISC, REAR BRAKE	1	
3	09106-08160	BOLT (8X21)	4	
4	64741-10F00	SPACER, REAR AXLE RH	1	
5	64610-35F10	DRUM, REAR SPROCKET	1	
6	64651-35F10	ABSORBER, REAR HUB SHOCK	5	
7	54162-27G00	RING, SPEED SENSOR RR	1	
8	07130-0512A	BOLT	3	
9	64711-03F00	AXLE, REAR	1	
10	64733-06G00	RETAINER, REAR SPROCKET DRUM	1	
11	64751-27G00	SPACER, REAR AXLE LH	1	
12	08319-3118A	NUT	1	
13	09180-20112	SPACER (20.8X27.2X124)	1	
14	09262-32007	BEARING (32X65X17)	1	
15	09285-39001	SEAL (39X65X7) (39X65X7)	1	
16	08123-62047	BEARING	2	
17	09285-28001	SEAL (28X47X7)	1	
18	64511-27G00	SPROCKET, REAR (NT:47-525)	1	
19	08319-3110A	NUT	5	
20	65110-06G10	TIRE, REAR, 150/70R17M/C 69H (BRIDGESTONE)	1	TRAIL WING 152 RADIAL F
21	43130-24A00	VALVE ASSY, WHEEL RIM	1	
22-1	43222-73H10	BALANCER, WHEEL NO.1	AR	
22-2	43224-73H10	BALANCER, WHEEL NO.2	AR	
22-3	43226-73H10	BALANCER, WHEEL NO.3	AR	

FIG.68

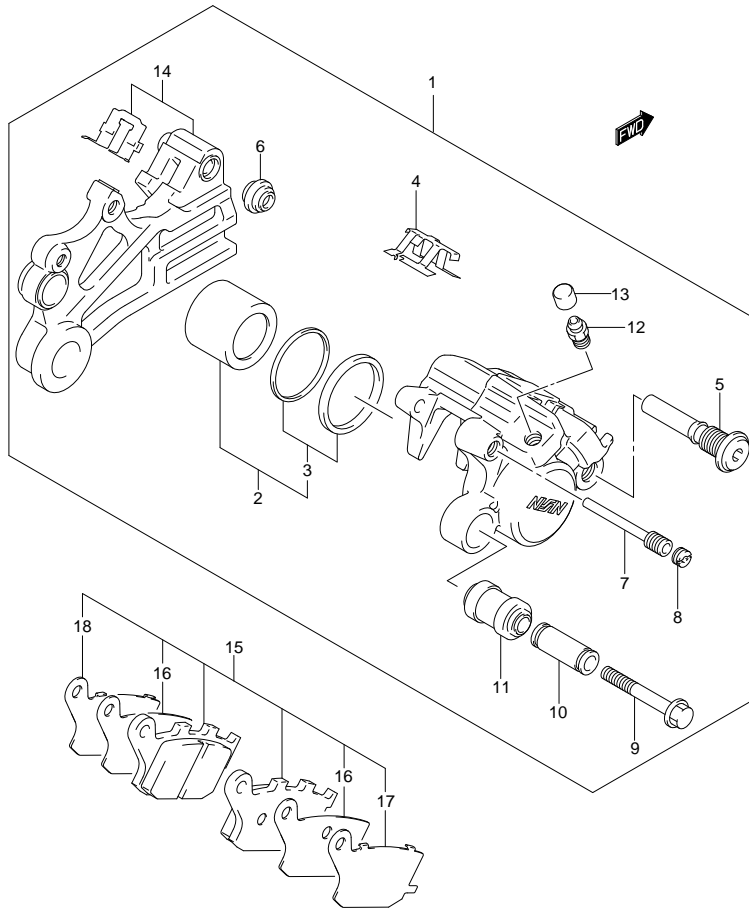
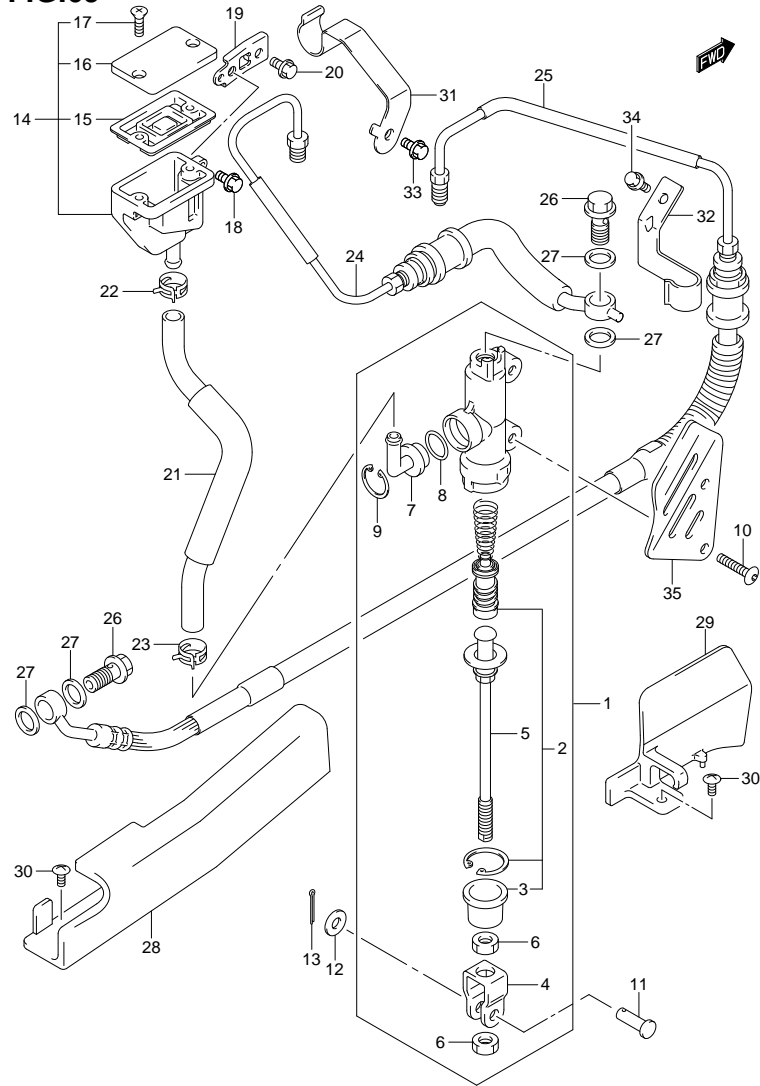


FIG. 68 (1-G-5) REAR CALIPER

REF NO.	PART NO.	DESCRIPTION	Q'TY	REMARKS
1	69100-27G10-999	CALIPER ASSY, REAR	1	
2	69100-04810	·PISTON SET	1	
3	69100-04820	··SEAL SET, PISTON	1	
4	69115-06G00	·SPRING, PAD	1	
5	59305-36E00	·PIN, BOLT	1	
6	59303-14500	·BOOT	1	
7	69141-40F00	·PIN, HANGER	1	
8	59146-21E10	·PLUG	1	
9	69182-04F00	·BOLT	1	
10	69185-04F00	·SLEEVE	1	
11	69186-04F00	·BOOT	1	
12	59121-01A00	·BLEEDER	1	
13	59122-46H00	·CAP	1	
14	69150-27G00	·BRACKET	1	
15	69100-06830	PAD & RETAINER SET	1	
16	69132-06G00	·INSULATOR	2	
17	69133-06G00	·RETAINER	1	
18	69134-06G00	·RETAINER	1	

FIG.69



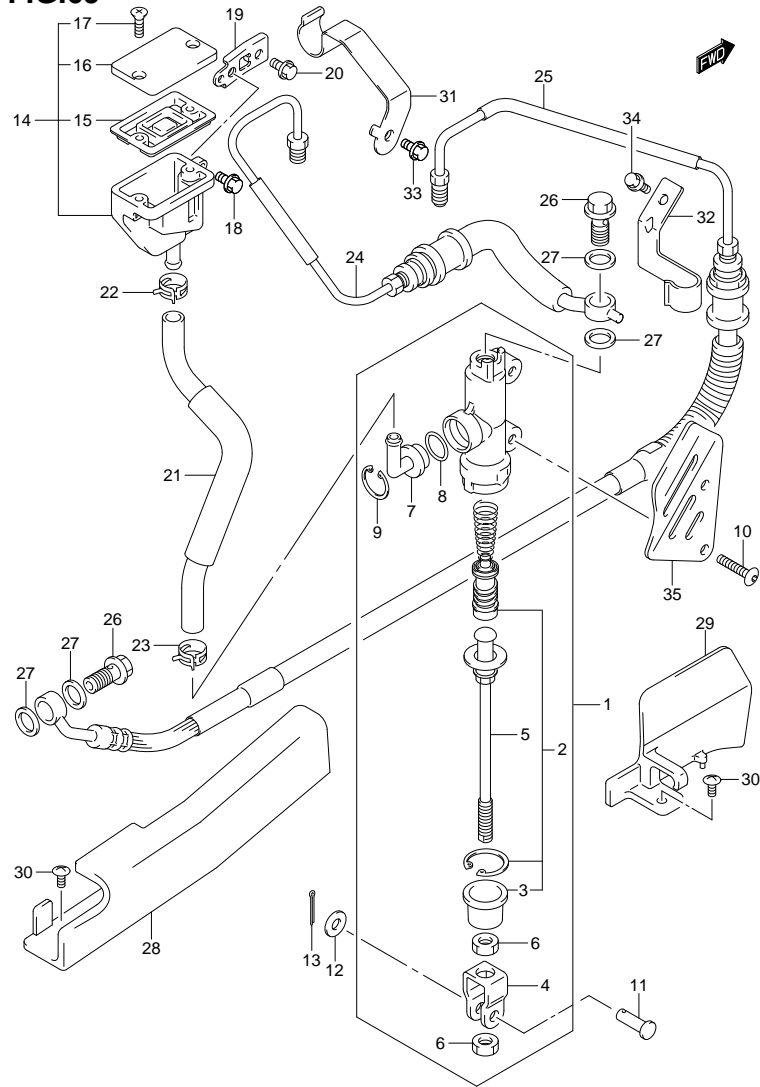
DL650AL2 E28 E33_069
REAR MASTER CYLINDER

FIG. 69 (1-G-6) REAR MASTER CYLINDER

REF NO.	PART NO.	DESCRIPTION	Q'TY	REMARKS
1	69600-06G00	CYLINDER ASSY, REAR MASTER	1	
2	69600-34820	·PISTON/CUP SET	1	
3	69691-00A00	··BOOT	1	
4	69692-19A00	·YOKE	1	
5	69670-03G00	·ROD, PUSH	1	
6	69693-05A00	·NUT	2	
7	69672-00B20	·CONNECTOR	1	
8	69686-34200	·O RING	1	
9	69674-00B20	·CIRCLIP	1	
10	09139-06029	BOLT (6X25)	2	
11	09200-06068	PIN (6X18.2)	1	
12	08322-0106B	WASHER	1	
13	04111-2015A	COTTER PIN	1	
14	69740-01D02	TANK ASSY, REAR RESERVOIR	1	
15	59667-04700	·DIAPHRAGM	1	
16	59669-05D00	·CAP	1	
17	69689-04A00	·SCREW	2	
18	01547-0612A	BOLT	1	
19	69750-27G20	BRACKET, RR RESERVOIR TANK	1	
20	01547-0612A	BOLT	1	
21	69730-27G00	HOSE, RESERVOIR TANK	1	
22	09401-13417	CLIP	1	UPPER
23	09401-12404	CLIP	1	LOWER
24	69200-11J00	HOSE ASSY, RR BRAKE NO.1	1	
25	69400-11J00	HOSE ASSY, RR BRAKE NO.2	1	
26	09360-10062	UNION	2	
27	09161-10009	WASHER (10X15X1.5)	4	

DL650AL2 E28 E33

FIG.69



DL650AL2 E28 E33_069
 REAR MASTER CYLINDER

FIG. 69 (1-G-7) REAR MASTER CYLINDER

REF NO.	PART NO.	DESCRIPTION	Q'TY	REMARKS
28	61196-27G10	GUIDE, BRAKE HOSE	1	
29	61196-06G00	GUIDE, REAR BRAKE HOSE FRONT	1	
30	02142-0510A	SCREW	2	
31	69260-11J00	CLAMP, REAR BRAKE HOSE	1	
32	69266-27G00	CLAMP, RR BRAKE HOSE NO.2	1	
33	01547-0610B	BOLT	1	
34	01547-0612A	BOLT	1	
35	69641-06G00	COVER, REAR MASTER CYLINDER	1	

DL650AL2 E28 E33

FIG.70

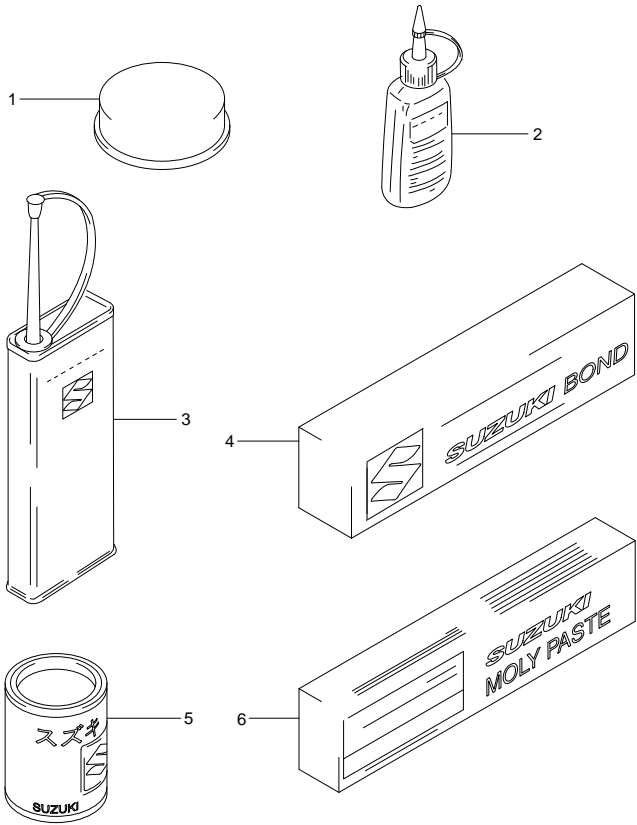


FIG.70 (1-G-8) OPTIONAL

REF NO.	PART NO.	DESCRIPTION	Q T Y	REMARKS
1	99000-25110	SUZUKI PBC GREASE	1 20G	
2-1	99000-32020	THREAD LOCK SUPER (1333B)	1 50G	
2-2	99000-32030	THREAD LOCK SUPER (1303B)	1 50G	
2-3	99000-32050	THREAD LOCK SUPER (1342)	1 50G	
2-4	99000-32100	THREAD LOCK SUPER (1305)	1 50G	
2-5	99000-32130	THREAD LOCK SUPER (1360)	1 50G	
3	99000-32040	THREAD LOCK CEMENT	1 200G	
4-1	99000-31140	SUZUKI BOND (1207B) (BLACK)	1 100G	
4-2	99000-31110	SUZUKI BOND (1215)	1 100G	
5	99000-25030	SUZUKI SUPER GREASE	1 150G	
6	99000-25140	SUZUKI MOLY PASTE	1 50G	

FIG.71

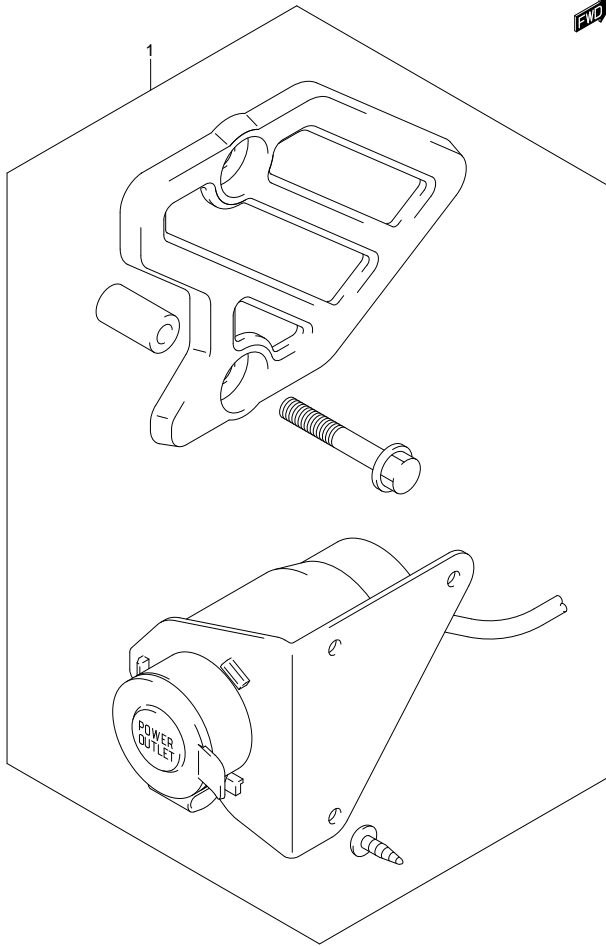


FIG.71 (1-G-9) POWER SOURCE TERMINAL SET (OPTIONAL)

REF NO.	PART NO.	DESCRIPTION	Q'TY	REMARKS
1	38800-09810	TERMINAL SET, POWER SOURCE	1	

FIG.72

FIG.72 (1-G-10) CENTER STAND SET (OPTIONAL)

REF NO.	PART NO.	DESCRIPTION	Q' TY	REMARKS
1	42100-06860	STAND SET, CENTER (BLACK)	1	

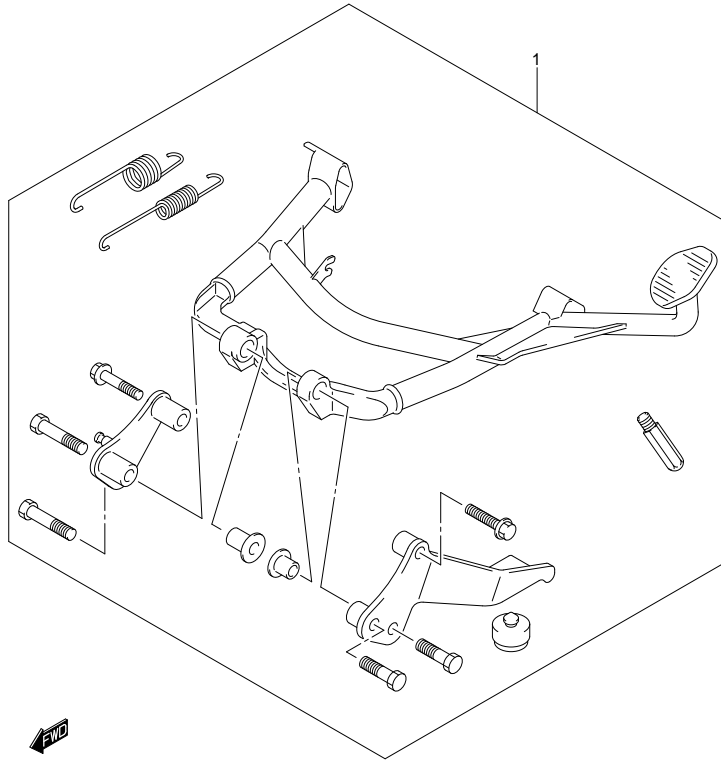


FIG.73

FIG.73 (1-G-11) LOW SEAT (OPTIONAL)

REF NO.	PART NO.	DESCRIPTION	Q' TY	REMARKS
1	45100-11J50-KCJ	SEAT ASSY, LOW	1	

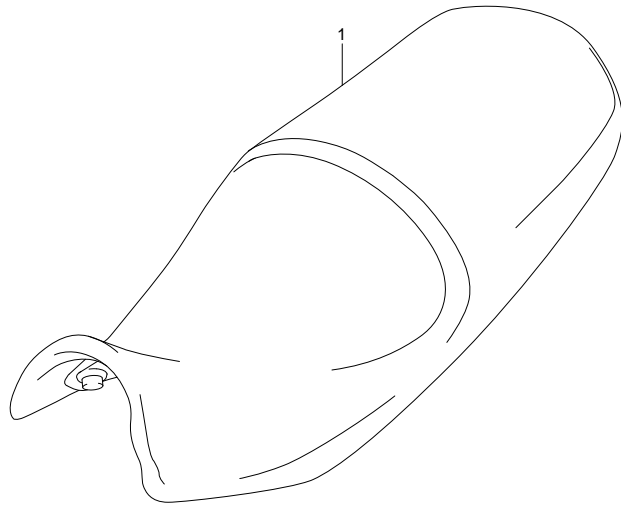


FIG.74

FIG.74 (1-G-12) HIGH SEAT (OPTIONAL)

REF NO.	PART NO.	DESCRIPTION	Q' TY	REMARKS
1	45100-11J60-KCJ	SEAT ASSY, HIGH	1	

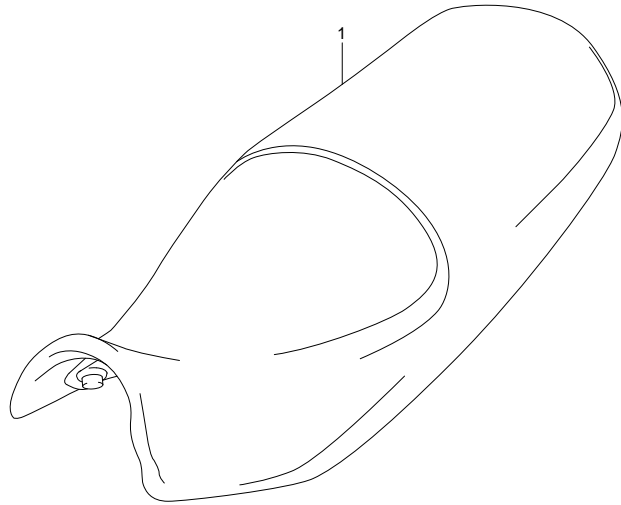


FIG.75

FIG.75 (1-G-13) GRIP HEATER SET (OPTIONAL)

REF NO.	PART NO.	DESCRIPTION	Q' TY	REMARKS
1	57100-27830	HEATER SET, GRIP	1	

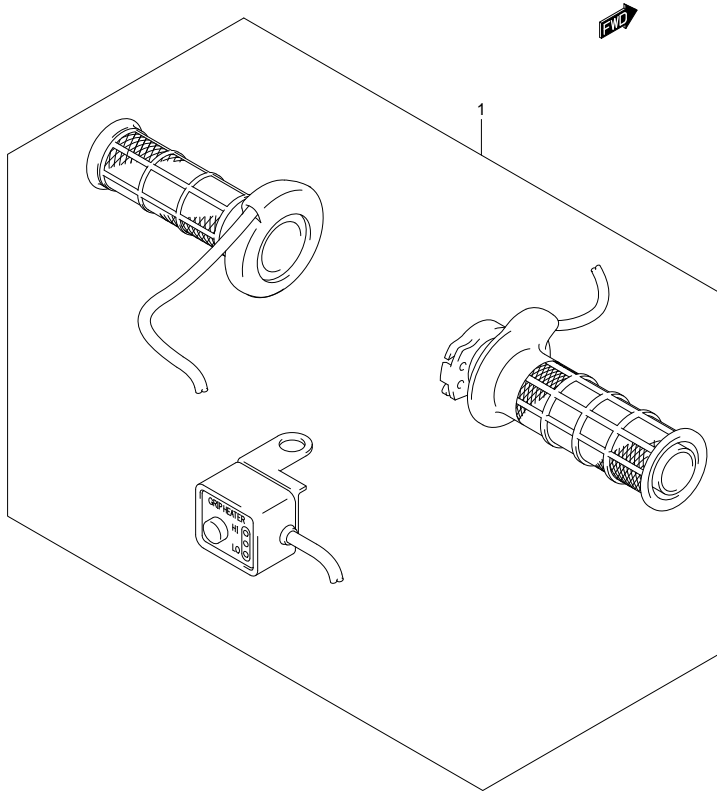


FIG.76

FIG.76 (1-G-14) KNUCKLE COVER SET (OPTIONAL)

REF NO.	PART NO.	DESCRIPTION	Q' TY	REMARKS
1	57300-27830-291	COVER SET, KNUCKLE (BLACK)	1	

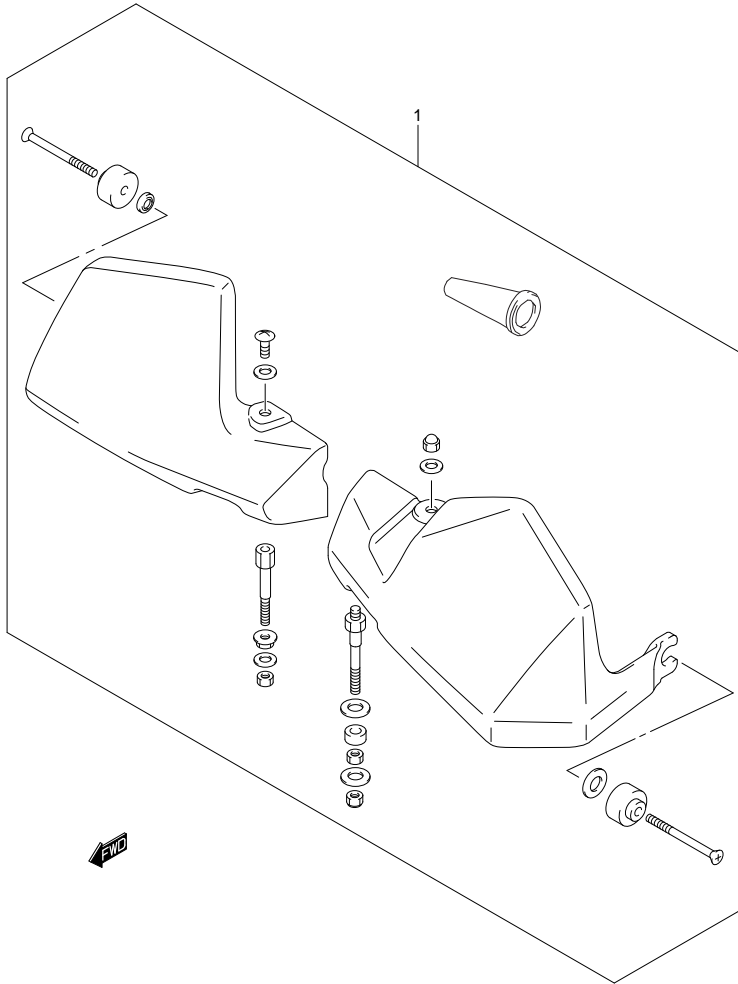
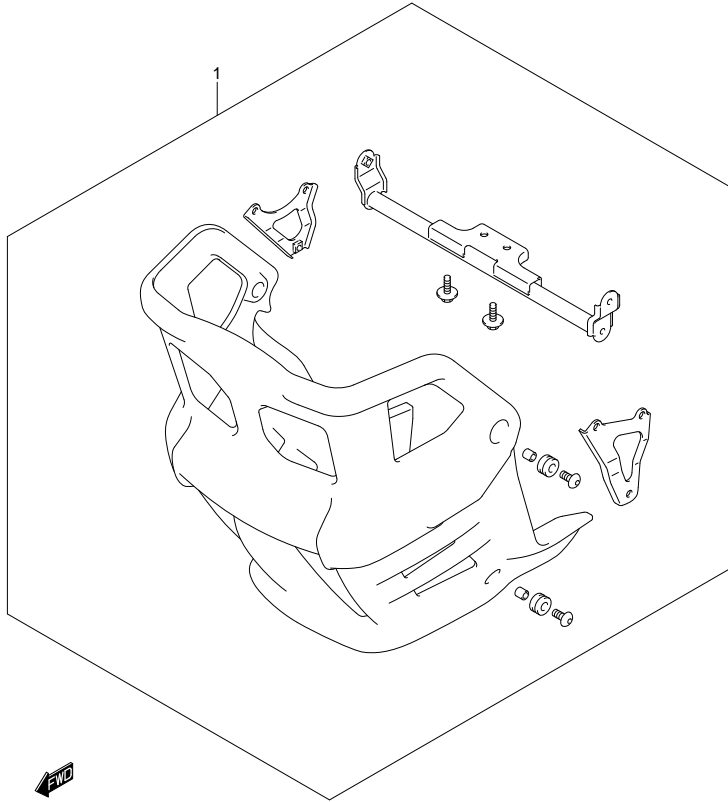


FIG.77

FIG.77 (1-G-15) UNDER COWLING SET (OPTIONAL)

REF NO.	PART NO.	DESCRIPTION	Q' TY	REMARKS
1	94400-11820-291	COWLING SET, UNDER (BLACK)	1	



PART NO.	FIG.NO.-REF.NO.	PART NO.	FIG.NO.-REF.NO.	PART NO.	FIG.NO.-REF.NO.	
10000		12151-05A00	7-9	12892-05C00-200	9-13-17	
		12160-17G10	7-3	12892-05C00-205	9-13-18	
		12163-24F10	7-4	12892-05C00-210	9-13-19	
		12164-46E01-0A0	7-6-1	12892-05C00-215	9-13-20	
		12164-46E01-0B0	7-6-2	12892-05C00-220	9-13-21	
	11101-44H00	2-1	12164-46E01-0C0	7-6-3	12911-18H00	9-5
	11103-44H10	3-1	12164-46E01-0D0	7-6-4	12912-20F00	9-6
	11115-18D72	2-4	12220-44H10	7-1	12921-44H00	9-7
		3-4	12229-44H00-0A0	7-2-1	12931-17E01	9-8
	11117-44H00	2-7	12229-44H00-0B0	7-2-2	12932-32C00	9-11
	3-7	12229-44H00-0C0	7-2-3	12933-17E00	9-9	
11141-20F00	1-2	12600-06821	8-3	13101-17G10	2-13	
	2-5	12611-27G00	8-1	13102-17G10	3-13	
	3-5	12710-11J00	9-1	13268-48700	11-3	
11151-27G00	2-25	12720-20F00	9-2		12-3	
11171-19F20	2-17	12730-11J00	9-3	13269-33E00	11-2	
11172-19F20	3-17	12731-19F00	7-11		12-2	
11173-19F01	1-3	12740-20F00	9-4	13295-29900	11-5	
	2-18	12760-19F01	10-1		12-5	
	3-18	12771-44H00	10-2	13405-11J00	11-1	
11191-27E00	1-10	12782-19F00	10-3	13405-11J10	12-1	
	2-21	12800-05830	9-14	13575-29G00	11-7	
	3-21	12811-17G00	10-5		12-7	
11192-13E00	2-22	12812-35C00	10-6	13580-27G21	11-6	
	3-22	12830-27G00	10-8		12-6	
11211-44H00-0F0	4-1	12830-27G10	10-11	13601-11J00	11-16	
11221-44H00-0F0	4-2	12831-39F00	10-10		12-16	
11241-19F10	1-4		10-13	13602-06128	12-18	
	4-3	12833-17G00	10-14	13602-29G00	11-17	
11242-19F00	1-5	12837-24F10	10-9		12-17	
	4-4		10-12	13605-02F00	11-8	
11301-27850	5-1	12837-27G00	1-8		12-8	
11323-19F00	5-22		10-15	13606-47A00	11-4	
11340-44H10	6-1	12891-18H00	9-12		12-4	
11342-11J00	6-10	12892-05C00-120	9-13-1	13650-41F10	13-17	
11343-44H00	6-8	12892-05C00-125	9-13-2	13650-49X00	20-25	
11344-11J00	6-11	12892-05C00-130	9-13-3	13655-41F10	13-18	
11351-44H00	6-24	12892-05C00-135	9-13-4	13671-12C00	12-22	
11361-44H00	6-14	12892-05C00-140	9-13-5	13671-48B10	12-23	
11371-11J00	6-18	12892-05C00-145	9-13-6	13681-06G40	12-19	
11372-22H00	6-19	12892-05C00-150	9-13-7	13683-44H00	11-12	
11403-44810	1-1	12892-05C00-155	9-13-8		12-12	
11482-44H00	1-6	12892-05C00-160	9-13-9	13683-44H10	11-13	
	6-3	12892-05C00-165	9-13-10		12-13	
11483-19F00	1-7	12892-05C00-170	9-13-11	13683-44H30	12-20	
	6-25	12892-05C00-175	9-13-12	13685-04F10	12-21	
11971-25D00	6-6	12892-05C00-180	9-13-13	13700-11J00	13-1	
11971-33210	6-2	12892-05C00-185	9-13-14	13740-11J00	13-2	
12111-44H10-0F0	7-7	12892-05C00-190	9-13-15	13746-06G00	13-9	
12140-15H00	7-8	12892-05C00-195	9-13-16	13780-27G10	13-8	

PART NO.	FIG.NO.-REF.NO.	PART NO.	FIG.NO.-REF.NO.	PART NO.	FIG.NO.-REF.NO.
13788-11J00	13-6	16510-07J00	17-10		
13826-44H01	13-7	16520-32E00	15-8		
13827-40H00	2-16	16523-17G00	15-9		
	3-16	16591-02F00	17-3		
13850-11J00	13-13	16600-44H00	17-1		
13878-10G00	13-11	17210-15H00	45-10	21100-44H00	7-13
13881-27G10	13-4	17400-44H00	18-1	21200-44860	21-1
13882-27G10	13-5	17411-44H00	18-2	21411-44101	21-2
13891-27G01	13-3	17415-20920	18-3	21413-17G10	21-3
14150-27G10	14-1	17418-19F00	18-10	21414-29F00	21-4
14160-17G10	14-2	17435-33400	18-11	21441-29F30	21-6
14181-22D01	1-9	17451-17G00	7-12	21442-29F10	21-5
	14-3	17461-44H00	18-16	21451-28C31	21-7
14305-11J00	14-14	17461-48G00	18-7	21462-14301	21-8
14414-06G00	14-19	17470-02F10	18-6	21471-17G00	21-9
14414-27G00	14-16	17491-19F40	18-5	21472-17G00	21-10
14771-11J00	14-7	17662-02F11	20-19	21482-41G10	21-11
14771-32E10	14-4	17663-17G00	20-20	23110-44111	21-15
14781-11J00-YUS	14-8	17670-06G60	20-21	23111-15501	21-16
15100-11J00	16-1	17710-11J00	19-1	23121-44H00	21-17
15111-27G00	16-3	17711-08J00	19-3	23122-44H00	21-18
15112-05H00	16-4	17712-40F00	19-4	23123-41G00	21-19
15113-05H00	16-5	17730-08J00	19-14	23125-11J00	21-20
15113-35F00	16-6	17741-17G00	19-10	23271-44H10	21-21
15114-14J00	16-8	17771-11J00	19-12	24120-27G00	22-1
15115-14J00	16-9	17781-17G00	19-9	24127-19F00	22-2
15116-10F00	16-11	17800-11J00	19-2		22-3
15119-08J00	16-10	17851-11J00	20-1		22-15
15181-11J00	16-12	17852-44H00	20-2		22-16
15201-35F00	16-14	17853-19F00	20-6		22-17
15420-05H00	16-2	17854-44H00	20-3	24130-44H10	22-18
15610-14J00	16-7	17856-44H00	20-23	24221-20F10	22-4
15710-44H00	11-9	17880-44H00	20-4	24231-20F10	22-5
	12-9	17890-06G20	20-7	24251-20F02	22-6
15717-58B00	11-10	17900-27810	20-13	24252-19F00	22-7
	12-10	17910-27G10	20-10	24252-38A10	22-8
15722-29G00	11-11	17920-27G10	20-16	24261-20F00	22-9
	12-11	17931-02FA0	20-11	24311-44H00	22-19
15731-11J00	11-14	17982-22H00	20-14	24321-44H10	22-20
	12-14	18117-52G10	12-24	24322-19F10	22-21
15732-11J00	11-15	18119-44H00	12-25	24331-44H00	22-22
	12-15	18213-17G01	14-22	24332-24510	22-23
15810-11J10	16-16	18561-11J00	45-11		22-24
16321-19F00	15-11	18563-11J00	45-12	24341-44H00	22-25
16331-19F00	15-3	18591-41F00	13-15	24351-44H10	22-26
16400-20F00	15-1	18595-41F00	13-16	24361-44H00	22-27
16438-19F00	5-14			24741-21A00	23-6
16440-17C20	15-7			24751-19F10	22-38
16461-44H00	17-5			24881-12C30	22-39
16471-44H00	17-6			24885-12C10	22-40

PART NO.	FIG.NO.-REF.NO.	PART NO.	FIG.NO.-REF.NO.	PART NO.	FIG.NO.-REF.NO.
25211-42E20	23-1		28-10		32-12
25221-42E20	23-2	33420-27G00	27-11	35710-11J00	33-1
25231-42E20	23-3		28-11	35716-48B21	33-3
25310-19F00	23-7	33510-17G00	27-16	35718-11J00	33-2
25312-42F01	23-9		28-16	35736-48B21	33-4
25350-35F00	23-14	33510-20E00	27-17	35765-42E00	33-5
25355-35F01	23-15		28-17	35910-41G31	33-10
25381-19F20	23-10	33541-23E10	27-18	35912-41G01	33-11
25411-26D01	23-4		28-18	35913-41G00	33-12
25411-44B00	23-5	33541-47D00	27-19	35917-41G00	33-13
25510-19F10	23-18		28-19	35927-14J30	33-17
25512-06G10	23-19	33542-17G01	27-20	35950-14A11	31-11
25520-27G00	23-27		28-20	35970-14A20	33-21
25525-27G00	23-29	33542-38B00	27-21	36610-11J80	34-1
25526-47000	23-28		28-21	36610-11J90	35-1
	23-31	33610-48E20	26-1	36618-43410	26-7
25600-11J00	23-30	33624-27G00	26-9	36618-47H00	34-8
25617-03F10	23-33	33652-08420	26-3		35-8
25652-20C00	23-32	33652-16G00	26-2	36620-11J00	34-7
25671-01011	23-20	33810-27G20	26-6		35-7
27510-20F00	22-43	33820-27G10	26-8	36654-06J00	34-9
27531-19F10	22-46	33860-27G10	26-10		35-9
27600-06G40-120	22-47	33960-27G00	27-23	36654-06J10	34-6
27620-06G40	22-48		28-23		35-6
		34111-11J00	29-4	36711-11J00	34-10
			30-4		35-10
		34120-11J00	29-1	37000-11850	34-18
		34120-11J10	30-1	37000-11860	35-18
		34124-38G00	29-3	37100-11J10	34-19
			30-3		35-19
			29-2	37146-11J00	34-33
			30-2		35-33
		34810-11J00	16-13	37180-15H00	34-20
		34938-14F00	60-17		35-20
		34955-13E00	52-15	37200-11J00	36-1
		34981-38G01	29-9	37400-11J00	36-3
			30-9	37730-44H01	23-39
		34990-35F00	29-11	37740-45D00	34-23
			30-11		35-23
		35100-11J00-999	31-2	37820-33D10	5-33
		35118-68K00	31-3	37822-33D00	5-34
		35179-58J00	31-4	37840-06G00	34-25
		35601-08J00	32-1		35-25
		35602-08J00	32-5	38500-11J00	34-28
		35603-08J10	32-11		35-28
		35604-08J10	32-15	38610-03F00	32-20
		35612-08J00	32-2	38740-24X50	34-31
			32-16		34-32
		35629-18G00	32-9		35-31
		35632-08J00	32-6		35-32

PART NO.	FIG.NO.-REF.NO.	PART NO.	FIG.NO.-REF.NO.	PART NO.	FIG.NO.-REF.NO.
38800-09810	71-1				
		44100-11J00-YKV	42-1		43-20
		44100-11J20-YKV	43-1	44543-10G00	26-4
		44154-11J00	42-13	44545-06G00	42-7
			43-13		43-7
		44170-11J00-YPA	44-1-1	44550-06G10	42-5
		44170-11J00-YUK	44-1-2		43-5
		44170-11J00-YVB	44-1-3	44560-11J00	42-19
		44179-11J00	42-23		43-19
			43-23	44572-02F01	31-5
		44180-11J00-YPA	44-7-1		52-2
		44180-11J00-YUK	44-7-2	44572-13G00	42-25
		44180-11J00-YVB	44-7-3		43-25
		44183-23H00	42-26		44-3
			43-26		44-9
		44189-11J00	42-24	44572-37H00	31-6
			43-24		52-3
		44191-11J00	44-15	44572-44G00	42-11
		44192-11J00	44-16		43-11
		44194-11J00	42-12		44-4
		42100-06860	72-1		44-10
		42310-06G60	38-1	44200-16850	42-2
		42321-03FK0	38-3	44200-16870	43-2
		42330-06G60	38-6	44240-17C00	45-3
		43111-27G00	38-9	44892-24A00	45-7
		43130-24A00	59-13	44894-24A00	45-5
			67-21		45-8
		43222-73H10	59-14-1	44277-37H00	44-2
			67-22-1		44-8
		43224-73H10	59-14-2	44278-11J00	44-5
			67-22-2		44-11
			59-14-3	44423-11J00	42-29
			67-22-3		43-29
		43501-06G01	39-4	44423-11J10	42-30
		43502-06G01	39-10		43-30
		43510-27G01-YAP	39-1	44424-11J00	42-34
		43520-27G01-YAP	39-2	44424-11J10	42-33
		43551-06G00	39-6	44425-09E00	42-35
			39-12	44434-11J00	45-1
		43552-06G00	39-7	44511-16G00	42-15
			39-13		43-15
		43576-07D01	39-5	44512-16G00	42-16
			39-11		43-16
			37-13	44520-11J00	42-17
		43585-27G10	37-13		42-17
		43595-27G00	37-14	44530-06G00	43-17
		43610-34A00	39-19		42-9
		43612-33G00	39-21		43-9
		43631-34A01	39-22	44541-11J00	42-4
		43710-34A00	39-20		43-4
		43810-27G10-YAP	39-23	44542-06G00	42-8
		43820-27G01-019	39-24		43-8
				44542-11J00	42-20
					42-20
					46-1-1
					46-1-2
					46-1-3
					46-2-1
					46-2-2
					46-2-3
					46-3
					47-1
					46-4

PART NO.	FIG.NO.-REF.NO.	PART NO.	FIG.NO.-REF.NO.	PART NO.	FIG.NO.-REF.NO.
50000		51311-11J00	58-9	57500-25D00	50-8
		51321-10F00	58-14	57560-05A00	50-15
		51328-27E30	57-49	57621-33E01	50-9
			58-8	57661-33E00	50-17
		51353-27G00	58-11	58200-11J00	49-11
51103-11J00	57-1	51354-06G00	58-12	58300-11J00	49-15
51104-11J00	57-25	51410-27G30	58-1	58300-11J10	49-16
51110-11J00	57-10	51553-47H00	57-6	58631-11J10	49-12
	57-34		57-30	58634-44H00	49-13
51117-17C00	57-18	51556-38B00	57-5	59100-04851	61-3
	57-42		57-29		61-15
51121-11J00	57-3	51631-33E00	58-5	59100-33DF1-999	61-1
	57-27	51641-33E00	58-6	59102-33870	61-25
51131-11J00	57-2	51643-33E00	58-7	59112-44B00	61-5
51141-11J00	57-26	51644-12C00	58-2		61-17
51146-11J00	57-11	53111-11J00-291	48-1	59115-33D00	61-4
	57-35	53122-06G00	48-3	59116-33D00	61-8
51147-48130	57-23	54111-27G40-019	59-1		61-20
	57-47	54162-27G00	59-4	59121-01A00	68-12
51148-31030	57-24		67-7	59121-18410	61-9
	57-48	54711-08F10	59-6		61-21
51152-47H00	57-8	54750-31F00	59-7	59122-46H00	68-13
	57-32	54751-10G01	59-8	59141-44B01	61-11
51166-38B40	58-10	55110-06G10	59-12		61-23
51168-17C00	57-7	55156-66310	61-10	59146-21E10	68-8
	57-31		61-22	59150-33D01	61-7
51171-11J00	57-14	55610-11J00	60-1	59171-33D00	61-26
	57-38	55660-11J00	60-2		61-29
51173-27G00	57-4	55667-27G10	60-8	59172-33D00	61-27
	57-28	55710-11J00	60-11		61-30
51176-19C00	57-16	56111-11J00-YUS	49-1	59210-44G11	59-10
	57-40	56200-16841	49-2	59240-11J00	62-1
51177-14D00	57-13	56211-06G40	58-13	59250-11J00	62-2
	57-37	56272-06G00	49-4	59260-06G10	62-3
51185-27G00	57-19	56272-10G00	49-7	59260-11J00	62-4
	57-43	56273-10G10	49-8	59268-11J00	62-5
51186-12C00	57-21	56276-17D00	49-5	59300-01820	61-2
	57-45	56500-04F30	49-9		61-14
51186-17C00	57-15	56600-04F30	49-10	59300-33DF1-999	61-13
	57-39	57100-27830	75-1	59302-33850	61-28
51187-14D00	57-20	57110-21H01	50-1	59303-14500	68-6
	57-44	57211-21H00	50-7	59305-36E00	68-5
51188-32B00	57-22	57300-27830-291	76-1	59313-36500	61-6
	57-46	57300-44G11	50-2		61-18
51189-27G00	57-17	57431-17H01	50-3	59315-33D00	61-16
	57-41	57431-45C01	50-10	59350-33D01	61-19
51195-27G00	57-9	57441-45C00	50-12	59450-11J00	62-6
	57-33	57442-45C00	50-13	59480-11J00	62-7
51196-27G00	57-12	57460-14J00	50-5	59540-11J00	62-11
	57-36	57465-17C00	50-6	59560-11J00	62-12

PART NO.	FIG.NO.-REF.NO.	PART NO.	FIG.NO.-REF.NO.	PART NO.	FIG.NO.-REF.NO.
59600-10G30	63-1	63121-11J00	51-8	69400-11J00	69-25
59600-45870	63-2	64111-06G20-019	67-1	69600-06G00	69-1
59664-32F00	63-10	64511-27G00	67-18	69600-34820	69-2
59666-44300	63-3	64610-35F10	67-5	69641-06G00	69-35
59667-04700	69-15	64651-35F10	67-6	69670-03G00	69-5
59667-49460	63-4	64711-03F00	67-9	69672-00B20	69-7
59668-41C00	63-5	64712-03F00	64-15	69674-00B20	69-9
59669-05D00	69-16	64713-03F00	64-16	69686-34200	69-8
59669-10G00	63-6	64733-06G00	67-10	69689-04A00	69-17
59671-32F00	63-8	64741-10F00	67-4	69689-49300	63-7
59675-02FA0	63-9	64751-27G00	67-11	69691-00A00	69-3
		65110-06G10	67-20	69692-19A00	69-4
		65710-11J00	60-13	69693-05A00	69-6
		68111-18G20	44-6	69730-27G00	69-21
			44-12	69740-01D02	69-14
		68241-11J00	42-22	69750-27G20	69-19
			43-22		
		68281-35F00	44-17		
		68319-29F00	55-1		
		68319-29F10	54-1		
		68332-27G00	54-3		
		68332-27G10	55-3		
		68353-26E02	55-6		
		68387-11J00	55-5		
		68391-06G00	41-5		
		68391-06G10	40-5	94400-11820-291	77-1
		68613-18E00	55-4	94410-11J00-YPA	52-1-1
		68613-24F00	54-4	94410-11J00-YUK	52-1-2
		68922-29F00	54-2-1	94410-11J00-YVB	52-1-3
			55-2	94414-11J00	52-7
		68922-29F30	54-2-2	94421-11J00	53-1
		69100-04810	68-2	94423-10G00	46-6
		69100-04820	68-3	94431-11J00	53-2
		69100-06830	68-15	94443-06G00	52-4
		69100-27G10-999	68-1	94461-11J00	52-28
62621-19D00	65-9	69115-06G00	68-4	94462-11J00	53-7
	65-14	69132-06G00	68-16	94463-11J00	53-8
	66-9	69133-06G00	68-17	94510-11J00	52-14
	66-14	69134-06G00	68-18	94611-11J00	52-20
62641-06G00	65-13	69141-40F00	68-7	94612-31F00	52-8
	66-13	69142-45000	61-12	94631-11J00	52-24
62658-19F00	65-5		61-24	95643-58J00	29-8
	66-5	69150-27G00	68-14		30-8
62684-12C00	65-6	69182-04F00	68-9	95700-14810	56-8
	66-6	69185-04F00	68-10	99000-25030	70-5
62684-40A10	65-12	69186-04F00	68-11	99000-25110	70-1
	66-12	69200-11J00	69-24	99000-25140	70-6
63111-11J00	51-1	69211-06G00	67-2	99000-31110	70-4-2
63112-11J00-291	51-3	69260-11J00	69-31	99000-31140	70-4-1
63115-37H00	46-5	69266-27G00	69-32	99000-32020	70-2-1

PART NO.	FIG.NO.-REF.NO.	PART NO.	FIG.NO.-REF.NO.	PART NO.	FIG.NO.-REF.NO.
99000-32030	70-2-2		43-18		6-26
99000-32040	70-3	01550-0812A	5-18	04211-13189	2-6
99000-32050	70-2-3	01550-0816A	60-12		3-6
99000-32100	70-2-4		60-14		4-5
99000-32130	70-2-5	01550-0816B	42-6	04221-04089	7-5
99000-69491	9-15		43-6		23-8
99011-11J60-01A	54-5-1	01550-0820B	52-19	07120-0512B	29-12
99011-11J60-01F	54-5-2	01550-0835B	42-10		30-12
99011-11J60-03A	55-7		43-10	07120-0516A	23-42
		01550-1025A	61-31	07120-0612A	16-15
		02112-0510A	18-12		42-28
		02112-0530B	36-2		43-28
		02112-0535B	36-4	07120-0640B	2-8
		02112-0612A	22-42		3-9
			23-13	07120-0855A	5-4
01421-0625B	4-7	02122-0320A	50-16	07120-0880A	5-5
01500-0612A	22-41	02122-0616B	2-15	07130-0512A	25-6
01547-0512B	34-22		3-15		59-5
	35-22	02122-0630A	56-10		67-8
01547-0610A	5-24	02142-0408B	45-9	07130-0612A	10-4
01547-0610B	69-33	02142-0510A	69-30		20-9
01547-0612A	5-23	02142-0516B	39-8	07130-0625A	10-16
	15-10		39-14		15-2
	19-11	02142-0520B	39-9	07130-0635A	25-7
	49-14		39-15	07130-0825B	29-10
	60-18	02142-0616A	33-19		30-10
	62-9	02162-0610A	27-8	08123-62047	67-16
	69-18		28-8	08133-62037	59-2
	69-20	02162-06167	6-12	08211-06141	23-17
	69-34	02162-0616A	27-7	08211-06181	10-7
01547-0616A	20-22		27-9	08310-00067	23-37
	62-10		28-7	08310-0006A	21-32
01547-0620A	6-15		28-9	08316-1005A	32-10
	21-31	03141-0516A	13-10		33-22
	23-36	03211-0412A	33-7	08316-1006A	12-26
01547-0620B	50-14	03211-0414B	32-4		33-20
01547-0625A	27-15		32-8	08316-1006B	4-6
	28-15		32-14		34-30
01547-0635A	6-16		32-18		35-30
01547-0650A	5-3	03241-0512B	52-13	08319-21068	50-4
01550-0610A	20-17		53-9	08319-2106A	50-11
01550-0612A	60-3	03241-0516A	53-10	08319-3105A	32-19
01550-0612B	42-21	03511-0516A	13-19	08319-3110A	5-32
	43-21	03541-0416A	46-15		67-19
	45-6	03541-0516A	29-7	08319-3118A	64-8
01550-0616A	65-22		30-7		67-12
	66-22	03541-0616A	33-8	08322-0105A	31-13
01550-0616B	34-27	04111-2015A	69-13	08322-0106B	51-9
	35-27	04211-09129	6-17		69-12
01550-0620B	42-18	04211-09149	6-4	08331-3110A	15-6

00000

PART NO.	FIG.NO.-REF.NO.	PART NO.	FIG.NO.-REF.NO.	PART NO.	FIG.NO.-REF.NO.
			18-15	09111-06041	23-16
08331-3112A	23-38		23-38	09111-06066	60-9
08331-3114A	23-26		23-26	09111-06085	20-12
08331-3118A	38-12		38-12	09111-06107	47-2
			15-13	09111-10058	38-2
08331-31383	39-27		39-27	09116-06152	64-10
08332-1104A	39-18		39-18	09116-06171	60-4
08332-1106A	18-9		18-9	09116-06176	60-5
08332-1108A	24-8		24-8	09116-06181	51-2
08361-3506A	38-7		38-7	09118-06017	34-29
09100-12084	2-9		2-9	09118-06097	19-8
09103-06103	3-8		3-8	09118-08152-A05	14-11
	24-7		24-7	09119-05023	31-12
09103-06212	6-5		6-5	09125-05042	49-17
09103-06214	6-27		6-27	09127-06018	49-3
	2-10		2-10	09128-06013	27-4
	3-10		3-10		27-4
09103-06222	18-13		18-13		28-4
	6-28		6-28		29-5
09103-06225	2-3		2-3	09132-03008	30-5
09103-06239	3-3		3-3		30-5
09103-06266	14-15		14-15	09132-05053	47-3
	15-2		15-2	09134-06015	21-22
09103-08358	40-3		40-3	09136-05062	31-1
09103-08365	41-3		41-3	09139-05032	52-21
09103-08512	41-3		41-3	09139-05064	44-13
	65-18		65-18		52-6
	66-18		66-18	09139-05074	46-7
	65-19		65-19		52-25
09103-10143	66-19		66-19	09139-06028	6-20
	5-28		5-28	09139-06029	69-10
09103-10205	7-14		7-14	09139-06051	53-3
09103-10338	5-29		5-29	09139-06083	64-20
09103-10347	37-3		37-3	09139-06105	6-21
09103-10379	25-4		25-4	09139-06120	52-26
09103-12004	5-30		5-30	09139-06126	14-9
09106-06075	5-15		5-15		52-18
09106-06098	6-9		6-9	09139-06140	51-4
09106-06122	48-4		48-4	09139-06144	53-4
09106-07009	2-19		2-19	09139-06158	48-2
	3-19		3-19	09139-06178	44-14
09106-07010	2-20		2-20	09139-06179	46-8
	3-20		3-20	09139-06192	42-14
	39-25		39-25		43-14
09106-08074	64-17		64-17	09139-08016	34-21
09106-08119	37-6		37-6		35-21
09106-08121	39-3		39-3	09139-08023	8-4
09106-08150	59-11		59-11	09140-06025	23-34
	67-3		67-3	09140-20001	21-12
09106-08165	14-6		14-6	09148-05052	29-6
09106-08168	37-12		37-12		30-6
					46-9
					52-9
					53-5
				09148-06020	52-10
					53-6
				09159-05019	52-23
				09159-06096	33-16
				09159-10115	65-20
					66-20
				09159-12054	5-31
				09159-12056	65-8
					65-11
					65-16
					66-8
					66-11
					66-16
					66-16
				09159-20004	22-44
				09160-05048	52-22
				09160-06077	33-18
				09160-06131	49-6
				09160-06156	51-5
				09160-08146	14-20
				09160-10020	21-23
				09160-12011	23-35
				09160-12036	25-5
				09160-12037	65-7
					66-7
					38-8
				09160-12061	23-21
				09160-14016	23-21
				09160-15045	21-24
				09160-18022	38-10
				09160-20067	21-13
				09161-10009	62-13
					69-27
				09164-08015	58-15
					64-18
				09167-20006	21-14
				09167-25013	22-28
				09167-25021	22-10
					22-29
					22-29
					22-30
				09167-25028	22-45
				09168-06023	2-11
					3-11
					5-25
					6-13
					6-29
				09168-08016	5-19
					18-4
				09168-12002	5-13

PART NO.	FIG.NO.-REF.NO.	PART NO.	FIG.NO.-REF.NO.	PART NO.	FIG.NO.-REF.NO.
09168-12017	5-27	09262-20145	22-13	09320-09016	6-23
	20-26	09262-25006	23-11		46-11
09168-16002	5-21	09262-25125	22-34		52-17
	6-33	09262-32007	67-14	09320-09039	31-8
09169-06062	6-22	09263-10014	21-25	09320-10061	60-7
09169-08049	40-4	09263-12027	21-26	09320-10501	19-5
	41-4	09263-15003	21-27	09320-12048	14-13
09169-25001	22-31	09263-17034	65-4	09320-12049	14-18
09180-06278	33-15		66-4	09320-20010	46-12
09180-06283	64-11	09263-17037	64-4	09321-10001	46-13
09180-06296	60-6		65-3	09321-10012	56-4
09180-06310	19-7		66-3	09321-10018	14-21
09180-08152	14-12	09263-20073	65-2	09329-18001	19-6
09180-08156	14-17		66-2		42-27
09180-12122	65-10	09263-25018	23-12		43-27
	65-15	09263-25059	64-3	09352-12163-600	42-36
	66-10	09267-30010	58-3	09352-35653-600	18-19
	66-15		58-4	09360-10062	62-14
09180-17067	59-9	09280-04004	2-24		62-15
09180-20112	67-13		3-24		69-26
09180-20118	64-2		5-7	09360-10064	62-16
09181-10158	15-4		5-9	09367-06007	42-37
	18-17		5-16	09367-08005	42-32
09181-14167	23-22	09280-12009	5-10		43-32
09181-17195	22-32	09280-15007	5-11	09380-25012	22-14
09181-20195	22-33	09280-17003	6-7	09381-20004	7-10
09181-25160	17-4	09280-18008	20-8	09401-08411	20-15
09181-25167	22-11	09280-22001	18-14	09401-11413	45-2
09200-06068	69-11	09280-22008	6-31	09401-12404	45-15
09206-08001	2-2	09280-24010	22-49		69-23
	3-2	09280-26005	23-40	09401-12409	20-24
09206-11007	5-2	09280-46006	2-14	09401-13417	69-22
09206-12006	8-2		3-14	09401-14301	13-12
09208-06008	39-26	09280-55002	17-2	09401-16407	17-7
09208-08010	39-16	09280-63003	47-4	09401-16409	17-8
09247-12006	5-26	09282-10012	21-28	09401-20405	13-14
09247-12011	5-12	09282-24004	59-3	09402-28513	20-27
09248-16012	5-20	09283-06008	21-29	09402-35501	20-5
	6-32	09283-14005	23-23	09403-07334	62-17
09250-06011	58-16	09283-36011	22-35	09403-10313	65-21
09250-10010	52-11	09285-10004	21-30		66-21
09251-04003	37-15	09285-28001	67-17	09403-10319	27-12
09251-07003	45-13	09285-39001	67-15		28-12
09259-26011	6-30	09289-04002	9-10	09403-16412	62-8
09261-04001	15-5	09300-20032	22-36	09403-26401	34-11
09261-04002	18-18	09320-06504	44-18		35-11
09261-06002	15-12	09320-08028	31-7	09404-06429	5-35
09262-10014	18-8		46-10		20-18
09262-17023	22-37		52-16		27-14
09262-17046	22-12	09320-08070	14-10		28-14

PART NO.	FIG.NO.-REF.NO.	PART NO.	FIG.NO.-REF.NO.	PART NO.	FIG.NO.-REF.NO.
	33-9	09471-12140	33-14		
	34-12	09471-12182	31-9		
	34-26	09471-12216	31-10		
	35-12	09481-10501	34-2		
	35-26		35-2		
09404-06433	5-36	09481-15101	34-4		
	34-13		35-4		
	35-13	09481-15501	34-3		
	42-38		35-3		
09404-08419	23-41	09481-25103	34-5		
09407-14403	34-14		35-5		
	35-14	09481-30101	27-3		
09407-14407	14-23		28-3		
	34-17	09482-00554	2-12-5		
	35-17		3-12-5		
	36-5	09482-00555	2-12-2		
09407-14408	60-15		3-12-2		
	34-15	09482-00556	2-12-1		
	35-15		3-12-1		
09407-18402	27-13	09482-00557	2-12-4		
	28-13		3-12-4		
	34-16	09482-00558	2-12-3		
	35-16		3-12-3		
	42-31	09493-26007	5-17		
	43-31	09493-28010	5-6		
09408-00266	60-16	09493-36004	5-8		
09408-00267	17-9	09493-80005	2-23		
09409-06314-5PK	19-13		3-23		
	46-14	09800-21055	47-5		
	51-6	09816-00059	47-6		
09409-06329	52-12	09816-00149	47-7		
	52-27	09817-00035	47-8		
	52-29	09817-00039	47-9		
09409-08308-5ES	60-10				
09409-08326	52-5				
09420-04008	25-8				
09440-17009	23-24				
09443-06012	34-24				
	35-24				
09443-14058	38-4				
09443-19011	38-5				
09444-20001	23-25				
09448-18022	39-17				
09448-41005	38-11				
09462-00007	26-5				
09471-12045	32-3				
	32-7				
	32-13				
	32-17				
09471-12083	33-6				

SUZUKI **DL650AL2** PARTS CATALOGUE

SUZUKI MOTOR CORPORATION All rights reserved

No part of this document may be reproduced or transmitted in any form or by any means, electronic or mechanical, for any purpose, without the express written permission of Suzuki Motor Corporation.

SUZUKI MOTOR CORPORATION
Technical Readiness Group, Quality Administration Department
300 Takatsuka, Minami, Hamamatsu, Japan

Reprint Prohibited

SUZUKI MOTOR CORPORATION